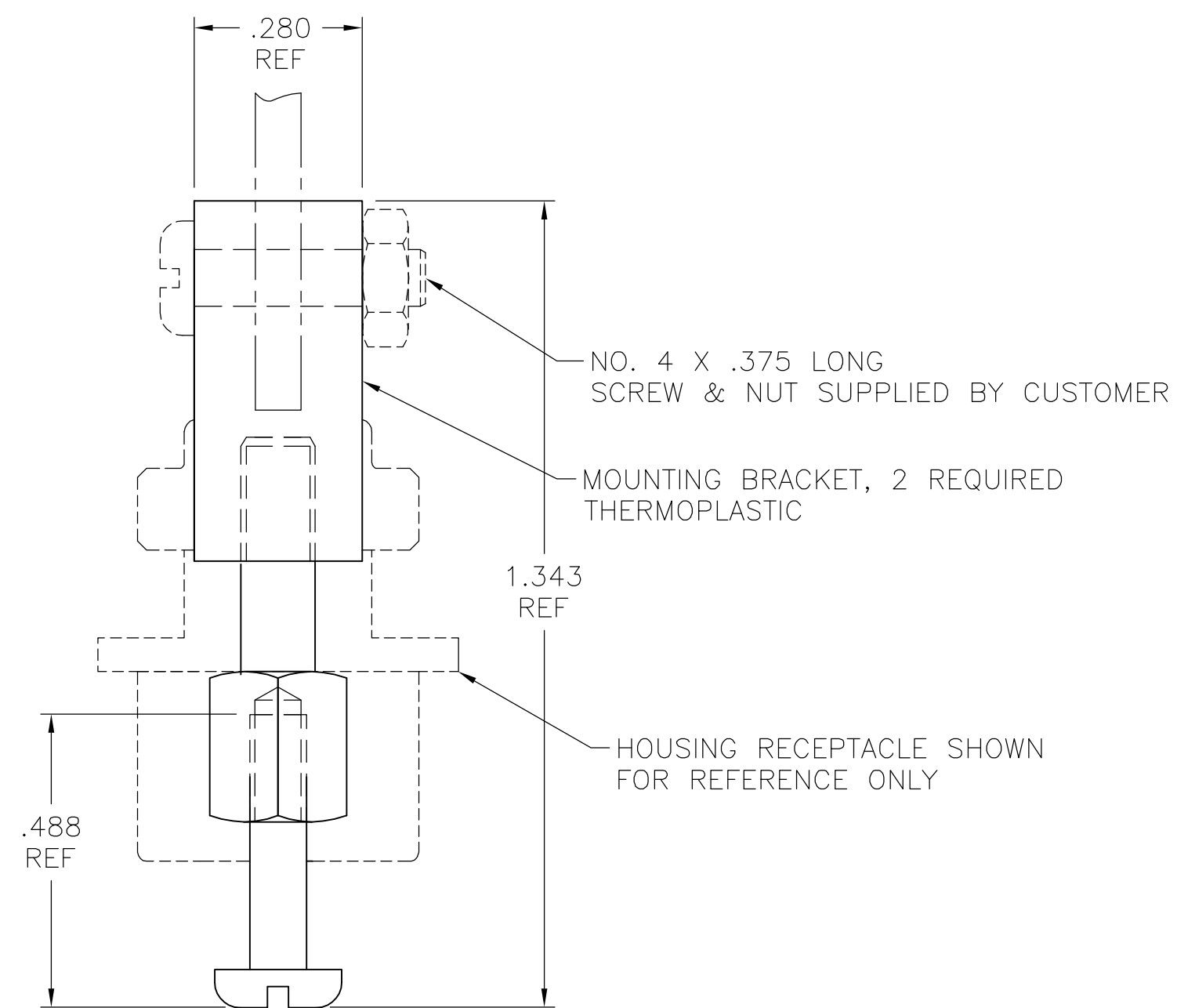
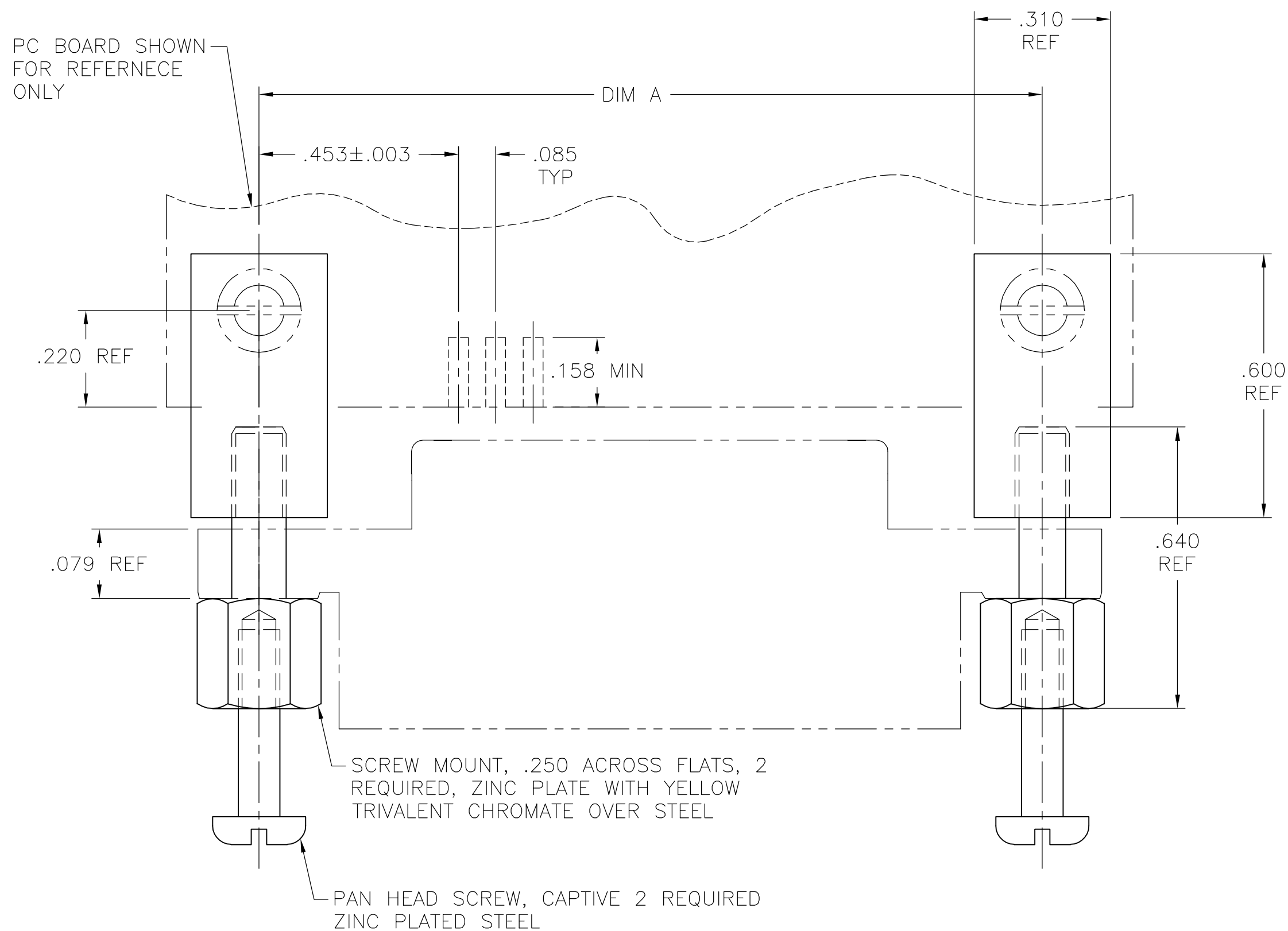


THIS DRAWING IS UNPUBLISHED. RELEASED FOR PUBLICATION
 © COPYRIGHT BY TYCO ELECTRONICS CORPORATION. ALL RIGHTS RESERVED.

LOC	DIST	REVISIONS					
GP	00	P	LTR	DESCRIPTION	DATE	DWN	APVD
		0		RELEASED PER EC 0513-0288-05	03OCT05	BM	WM



64	3.542	.125
50	2.946	.125
36	2.352	.125
24	1.842	.125
14	1.416	.125
NUMBER OF POSITIONS	DIM A	MOUNTING HOLE DIAMETER

5552675-1
PART NUMBER

THIS DRAWING IS A CONTROLLED DOCUMENT.		DWN B. MCMASTER	03OCT05	 Tyco Electronics Corporation Harrisburg, PA 17105-3608																				
DIMENSIONS: INCHES		CHK W. MILLHIMES	03OCT05																					
TOLERANCES UNLESS OTHERWISE SPECIFIED:		APVD W. MILLHIMES	03OCT05																					
<table border="1"> <tr><td>0 PLC</td><td>±</td><td>-</td></tr> <tr><td>1 PLC</td><td>±</td><td>-</td></tr> <tr><td>2 PLC</td><td>±</td><td>-</td></tr> <tr><td>3 PLC</td><td>±</td><td>-</td></tr> <tr><td>4 PLC</td><td>±</td><td>-</td></tr> <tr><td>ANGLES</td><td>±</td><td>-</td></tr> <tr><td>FINISH</td><td></td><td></td></tr> </table>		0 PLC	±		-	1 PLC	±	-	2 PLC	±	-	3 PLC	±	-	4 PLC	±	-	ANGLES	±	-	FINISH			PRODUCT SPEC
0 PLC	±	-																						
1 PLC	±	-																						
2 PLC	±	-																						
3 PLC	±	-																						
4 PLC	±	-																						
ANGLES	±	-																						
FINISH																								
MATERIAL		APPLICATION SPEC		SIZE A2	CAGE CODE 00779	DRAWING NO C=5552675	RESTRICTED TO																	
		WEIGHT		SCALE 4:1		SHEET 1 of 1	REV 0																	
		CUSTOMER DRAWING																						

单击下面可查看定价，库存，交付和生命周期等信息

[>>TE Connectivity\(泰科\)](#)