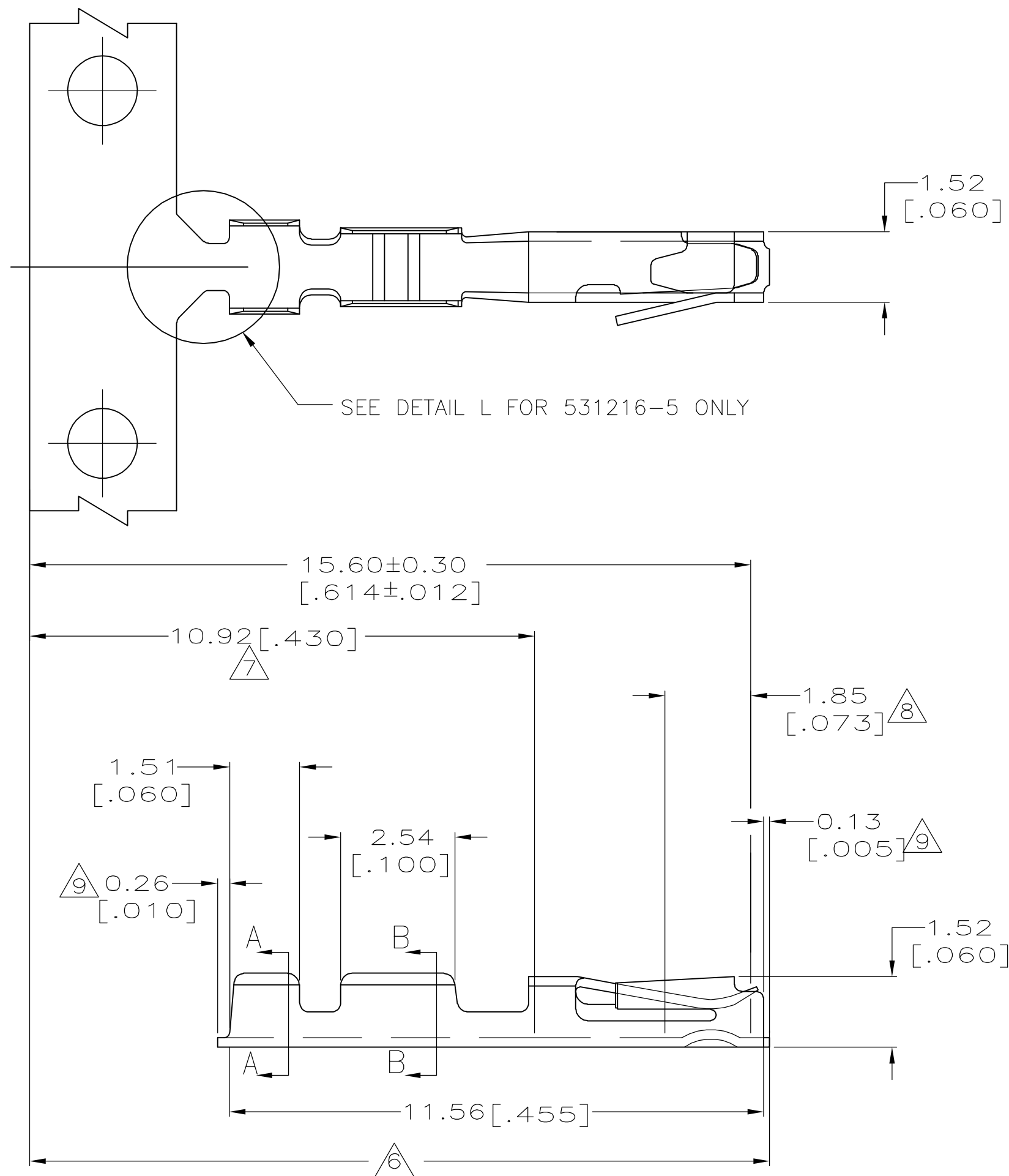


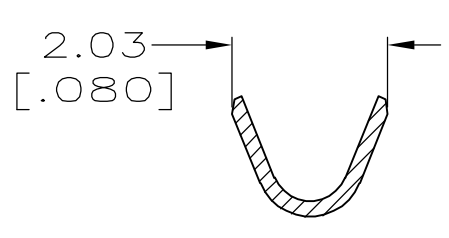
THIS DRAWING IS UNPUBLISHED. RELEASED FOR PUBLICATION
 © COPYRIGHT BY TYCO ELECTRONICS CORPORATION. ALL RIGHTS RESERVED.

LOC	DIST	REVISIONS					
		P	LTR	DESCRIPTION	DATE	DWN	APVD
AD	00	G		ECO-07-000840	17JAN2007	LAM	AWF

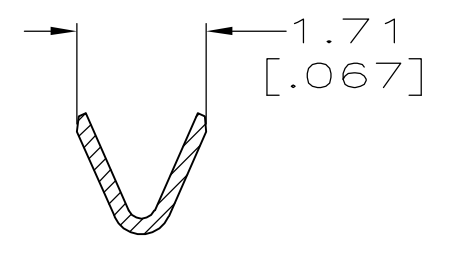


SEE DETAIL L FOR 531216-5 ONLY

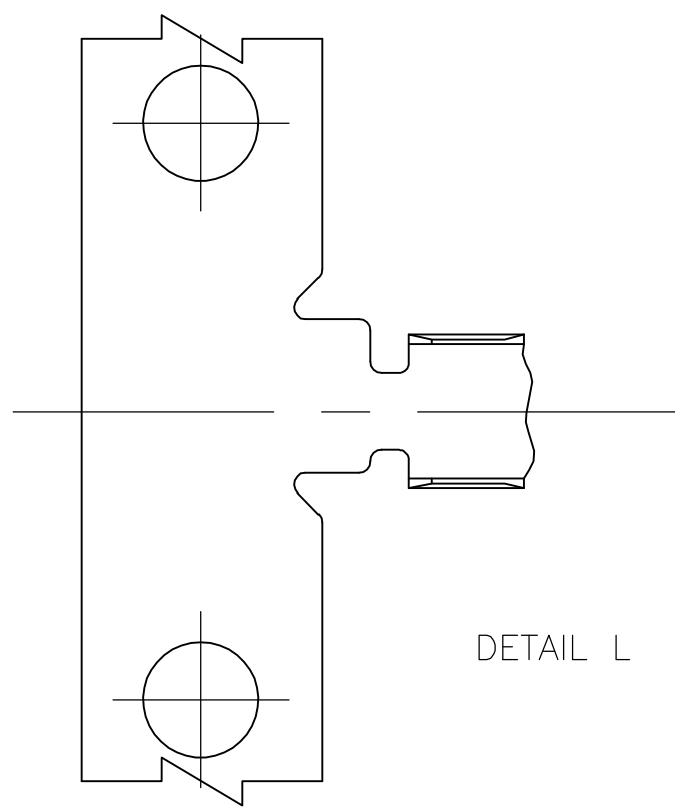
1. WIRE RANGE 22-26 AWG.
2. INSULATION RANGE 0.91-1.37 [.036-.054] DIA.
3. PREPLATED 0.00127 [.000050] MIN TIN-LEAD IN ZONES I & II, 0.000762 [.000030] MIN GOLD OVER 0.000762 [.000030] MIN NICKEL INLAY IN ZONE III.
4. PREPLATED 0.00127 [.000050] MIN TIN-LEAD IN ZONES I & II, 0.00127 [.000050] MIN GOLD OVER 0.000762 [.000030] MIN NICKEL INLAY IN ZONE III.
5. PHOSPHOR BRONZE.
6. ZONE I (OUTSIDE SURFACES).
7. ZONE II (INSIDE SURFACES).
8. ZONE III (INSIDE SURFACES).
9. MAXIMUM CUTOFF.



SECTION A-A



SECTION B-B



DETAIL L

OBSOLETE	4	-	531216-5
	4	531216-4	531216-3
	3	531216-2	531216-1
	FINISH	LOOSE PIECE PART NO	STRIP PART NO

THIS DRAWING IS A CONTROLLED DOCUMENT.		DWN B. HAYMAKER 08JAN99	Tyco Electronics Corporation Harrisburg, Pa 17105-3608	
DIMENSIONS: mm [INCHES]		CHK S. BOLASH 08JAN99	NAME CONTACT, RECEPTACLE, LOW PRESSURE MINI-TANDEM SPRING	
TOLERANCES UNLESS OTHERWISE SPECIFIED:		APVD S. BOLASH 08JAN99	PRODUCT SPEC 108-25031	
0 PLC ± -		APPLICATION SPEC 114-25021		
1 PLC ± -		SIZE A2		
2 PLC ± -		CAGE CODE 00779		
3 PLC ± 0.13[.005]		DRAWING NO C=531216		
4 PLC ± -		RESTRICTED TO -		
ANGLES ± -		SCALE 4:1		
FINISH -		SHEET 1 OF 1		
MATERIAL 531216-4		REV G		
CUSTOMER DRAWING				

531216

单击下面可查看定价，库存，交付和生命周期等信息

[>>TE Connectivity\(泰科\)](#)