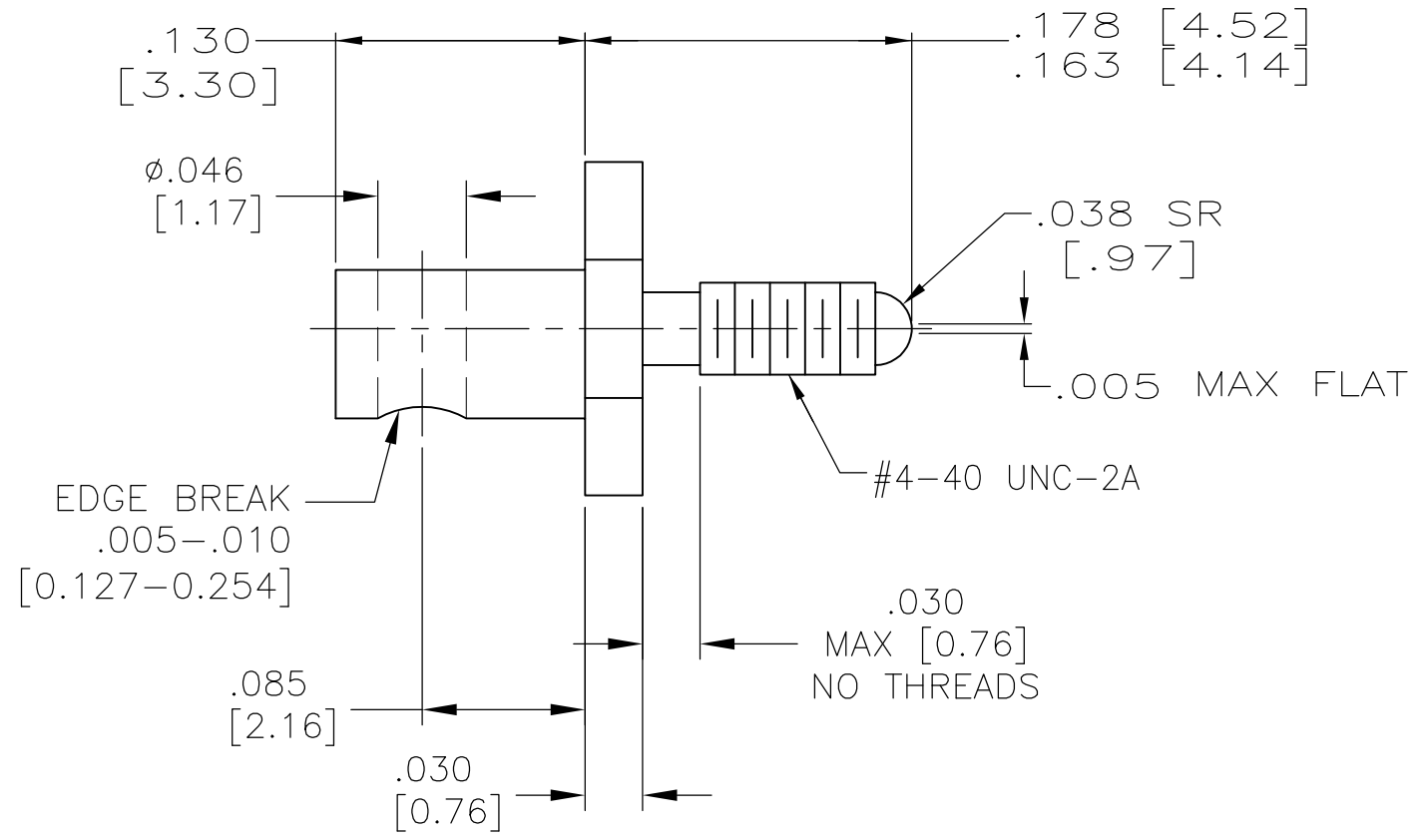
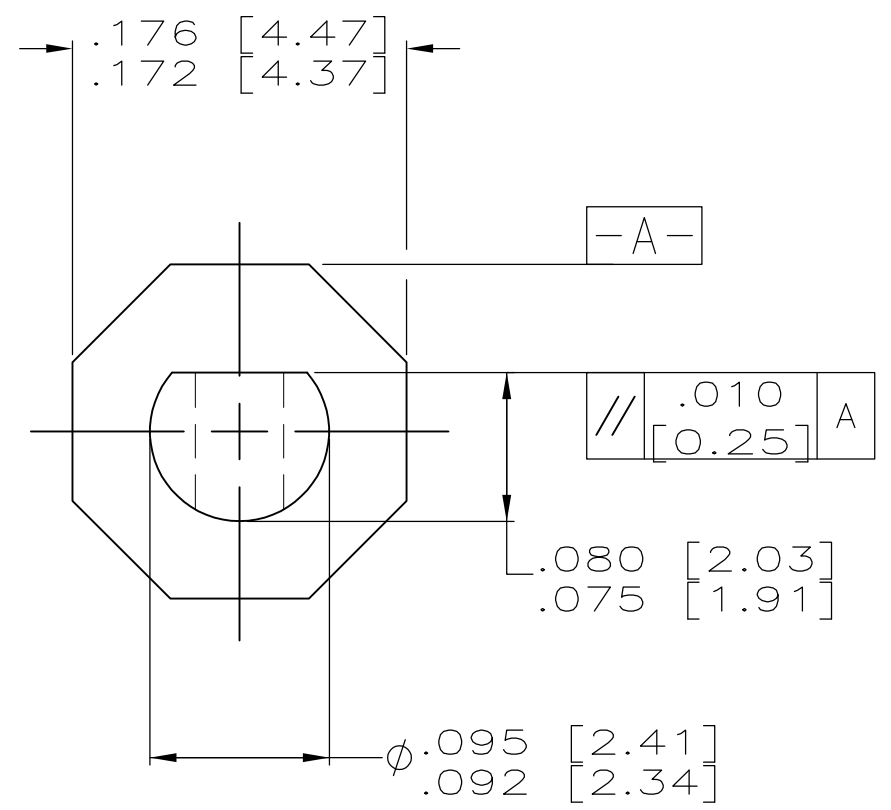


THIS DRAWING IS UNPUBLISHED. RELEASED FOR PUBLICATION
 © COPYRIGHT - By - ALL RIGHTS RESERVED.

LOC		DIST		REVISIONS			
P	LTR	DESCRIPTION		DATE	DWN	APVD	
	B	REV PER ECO 12-013692		7-26-12	CT	DH	



1. STAINLESS STEEL PER ASTM-A-582.
2. PASSIVATED PER QQ-P-35.

449869-1
 PART NUMBER

THIS DRAWING IS A CONTROLLED DOCUMENT.		DWN T. ALEXANDER 7-12-94	TE Connectivity														
DIMENSIONS: INCHES [mm]		CHK D. GUTTER 7-14-94															
TOLERANCES UNLESS OTHERWISE SPECIFIED:		APVD D.GUTTER 7-14-92	NAME MINI-BOX, JACKSCREW, MALE, FIXED														
<table border="0"> <tr><td>0 PLC</td><td>± -</td></tr> <tr><td>1 PLC</td><td>± -</td></tr> <tr><td>2 PLC</td><td>± -</td></tr> <tr><td>3 PLC</td><td>± .005 [0.13]</td></tr> <tr><td>4 PLC</td><td>± -</td></tr> <tr><td>ANGLES</td><td>± -</td></tr> </table>		0 PLC	± -	1 PLC	± -	2 PLC	± -	3 PLC	± .005 [0.13]	4 PLC	± -	ANGLES	± -	PRODUCT SPEC -	RESTRICTED TO -		
0 PLC	± -																
1 PLC	± -																
2 PLC	± -																
3 PLC	± .005 [0.13]																
4 PLC	± -																
ANGLES	± -																
MATERIAL -		FINISH -	APPLICATION SPEC -	SIZE A3	CAGE CODE 00779	DRAWING NO C-449869											
CUSTOMER DRAWING			WEIGHT -	SCALE 10:1	SHEET 1 OF 1	REV B											

单击下面可查看定价，库存，交付和生命周期等信息

[>>TE Connectivity\(泰科\)](#)