

4

3

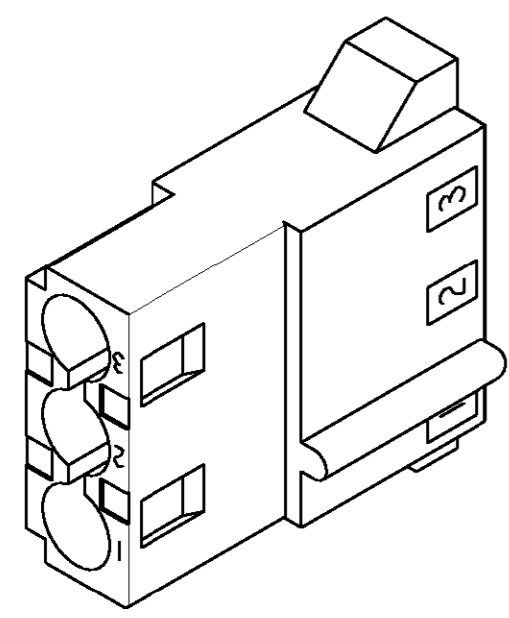
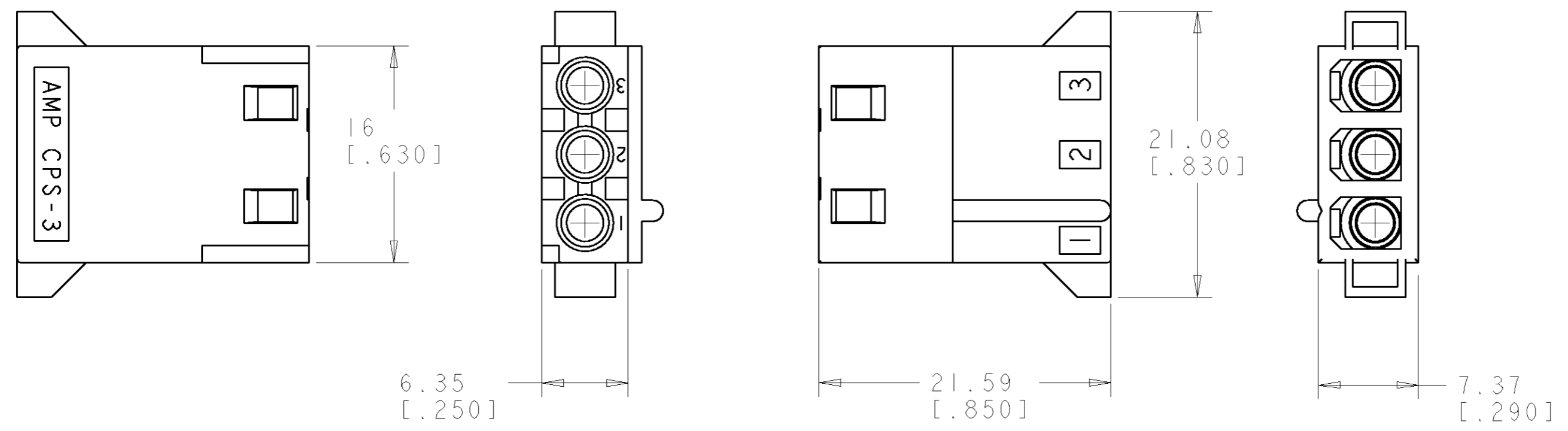
2

1

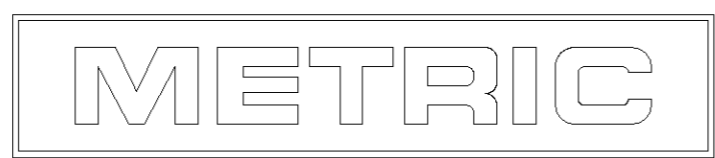
THIS DRAWING IS UNPUBLISHED. RELEASED FOR PUBLICATION 20
 © COPYRIGHT 20 BY TYCO ELECTRONICS CORPORATION. ALL RIGHTS RESERVED.

LOC	DIST	REVISIONS			
P	LTR	DESCRIPTION	DATE	DWN	APVD
CM	00	G	REVISD PER 0G3B-0341-02	16-APR-03	KW DC

1. MATES WITH 480387.



1-480388-0
 PART NO



<small>THIS DRAWING IS A CONTROLLED DOCUMENT FOR TYCO ELECTRONICS CORPORATION IT IS SUBJECT TO CHANGE AND THE CONTROLLING ENGINEERING ORGANIZATION SHOULD BE CONTACTED FOR THE LATEST REVISION.</small>		DWN 16-APR-2003 K. WHITAKER CHK 16-APR-2003 D. COLEY APVD 16-APR-2003 D. COLEY	tyco Electronics Tyco Electronics Harrisburg, PA 17105-3608
DIMENSIONS: mm [INCHES]	TOLERANCES UNLESS OTHERWISE SPECIFIED:	PRODUCT SPEC - APPLICATION SPEC - WEIGHT -	NAME PLUG, 3 CIRCUIT, FREE HANGING, COMMERCIAL MATE-N-LOK™
	0 PLC ±- 1 PLC ±- 2 PLC ±0.13 [.005] 3 PLC ±- 4 PLC ±- ANGLES ±0° 30'	FINISH -	SIZE A3 CAGE CODE 00779 DRAWING NO C-480388 RESTRICTED TO -
MATERIAL NYLON, UL94V-2, BLACK WEATHER RESISTANT	CUSTOMER DRAWING		SCALE 3:1 SHEET 1 OF 1 REV G

单击下面可查看定价，库存，交付和生命周期等信息

[>>TE Connectivity\(泰科\)](#)