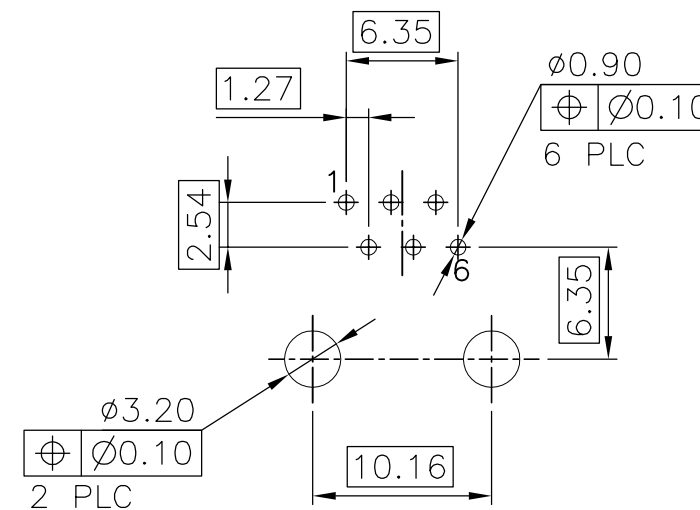
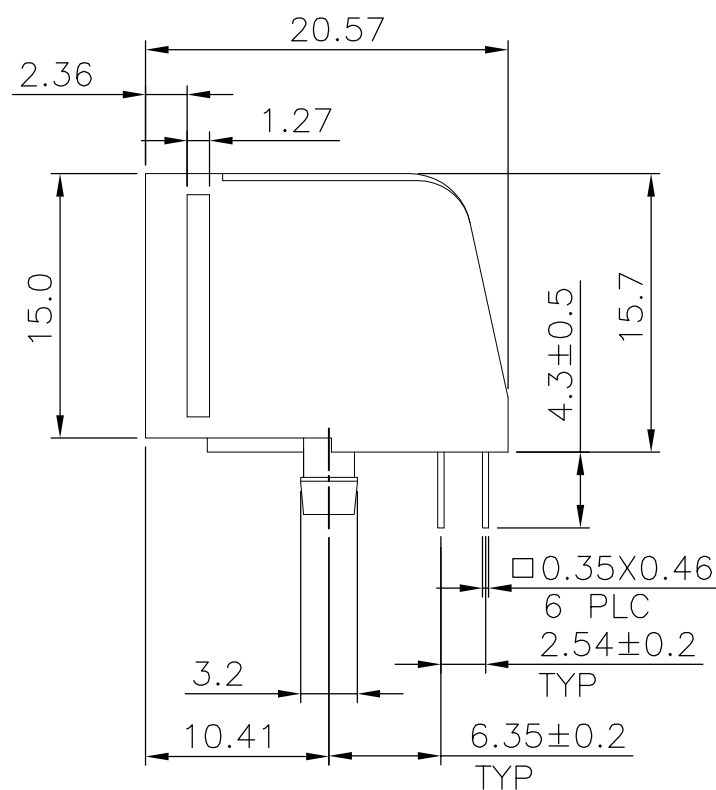
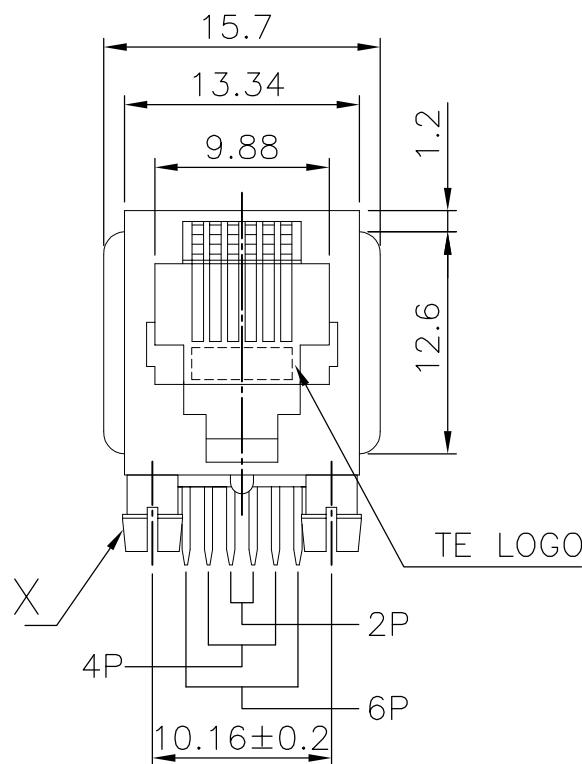
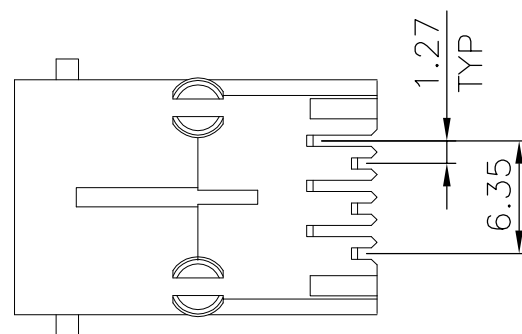
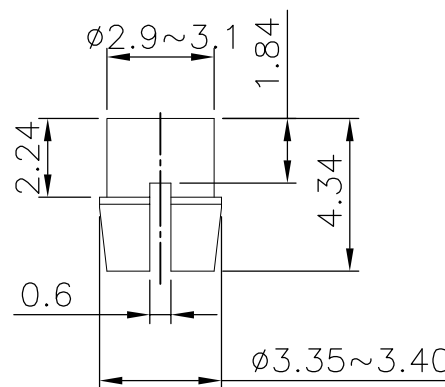


THIS DRAWING IS UNPUBLISHED. RELEASED FOR PUBLICATION  
 © COPYRIGHT BY TYCO ELECTRONICS CORPORATION. ALL RIGHTS RESERVED.

LOC	DIST	REVISIONS			
P	LTR	DESCRIPTION	DATE	DWN	APVD
DW	-	ECO-14-012616	30DEC2014	LL	SH



RECOMMENDED PCB LAYOUT (THICKNESS: 1.6mm)  
 DIMENSION TOLERANCE: ±0.05



OBSOLETE	PIN POS.	MIN. GOLD THICKNESS	PART NUMBER
OBSOLETE	6P	1.37µm [50µ"]	<del>2-1775675-4</del>
		0.762µm [30µ"]	<del>2-1775675-3</del>
		0.381µm [15µ"]	<del>2-1775675-2</del>
OBSOLETE	4P	0.152µm [6µ"]	<del>2-1775675-1</del>
		1.37µm [50µ"]	<del>1-1775675-4</del>
		0.762µm [30µ"]	<del>1-1775675-3</del>
OBSOLETE	2P	0.381µm [15µ"]	<del>1-1775675-2</del>
		0.152µm [6µ"]	<del>1-1775675-1</del>
		1.37µm [50µ"]	<del>1775675-4</del>

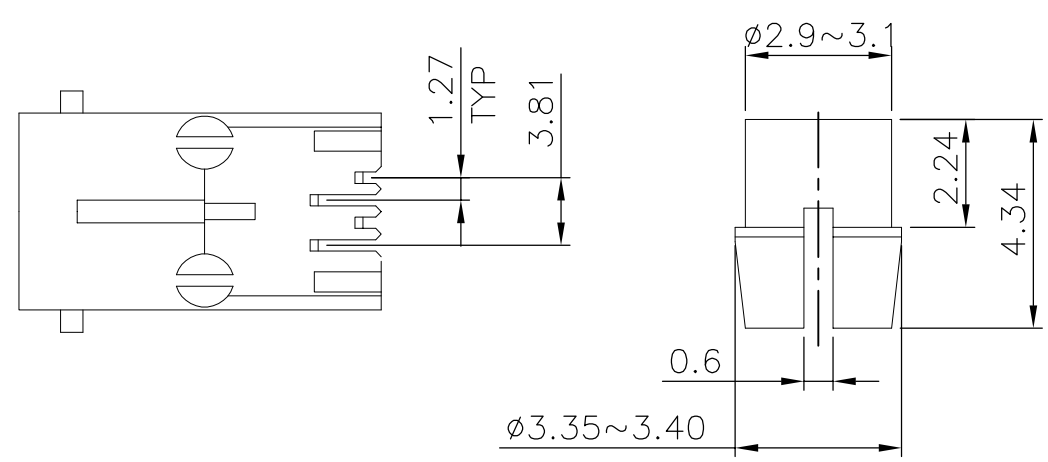
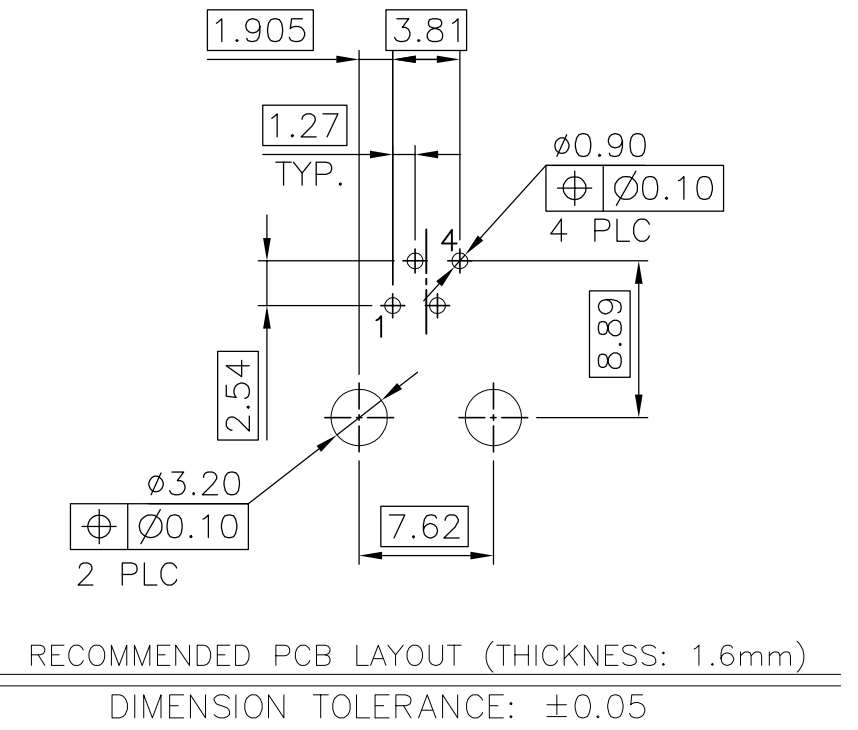
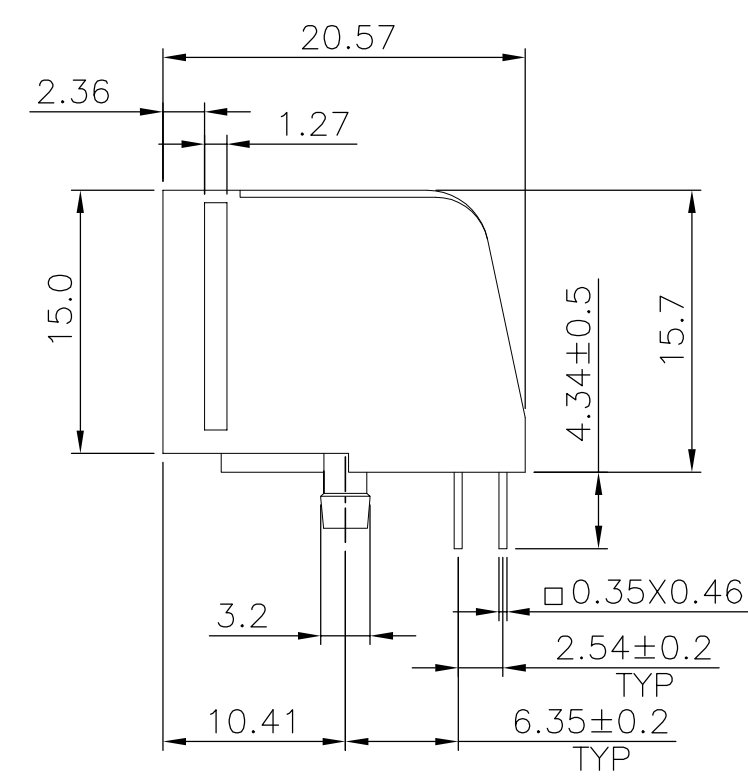
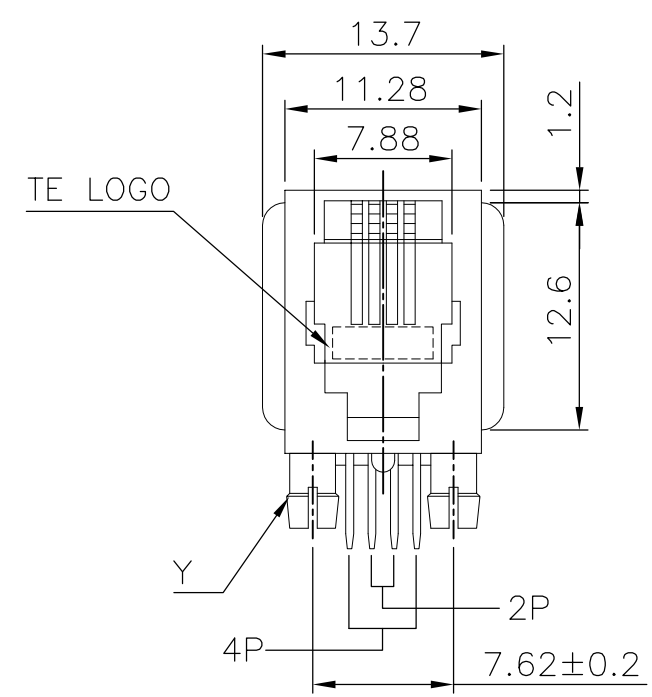
NOTE:

- MATERIAL:  
HOUSING: PBT WITH 30% GF, UL94 V-0, BLACK COLOR.  
CONTACTS: PHOSPHOR BRONZE.
- FINISH:  
CONTACTS: (SEE TABLE) GOLD PLATED ON CONTACT AREA, GOLD FLASH ON SOLDER TAIL, WITH ENTIRE CONTACT UNDERPLATED 1.27µm [50µ"] MIN. NICKEL.
- WAVE SOLDER CAPABLE TO 240°C PER TE TEST SPEC. 109-202, CONDITION A.

THIS DRAWING IS A CONTROLLED DOCUMENT.		DWN O. HU 26OCT12	TE Connectivity													
DIMENSIONS: MM		CHK S. HOU 26OCT12														
TOLERANCES UNLESS OTHERWISE SPECIFIED:		APVD W. KODAMA 26OCT12	NAME													
<table border="0"> <tr><td>0 PLC</td><td>± 0.50</td></tr> <tr><td>1 PLC</td><td>± 0.30</td></tr> <tr><td>2 PLC</td><td>± 0.20</td></tr> <tr><td>3 PLC</td><td>± 0.10</td></tr> <tr><td>4 PLC</td><td>± -</td></tr> <tr><td>ANGLES</td><td>± -</td></tr> </table>		0 PLC	± 0.50	1 PLC	± 0.30	2 PLC	± 0.20	3 PLC	± 0.10	4 PLC	± -	ANGLES	± -	PRODUCT SPEC 108-57527	MODULAR JACK, SIDE ENTRY, LOW PROFILE, DIP	
0 PLC	± 0.50															
1 PLC	± 0.30															
2 PLC	± 0.20															
3 PLC	± 0.10															
4 PLC	± -															
ANGLES	± -															
MATERIAL SEE NOTE		FINISH SEE NOTE	APPLICATION SPEC -	RESTRICTED TO -												
		WEIGHT 3.5 GRAMS	SIZE A3	CAGE CODE -												
		CUSTOMER DRAWING	DRAWING NO C-1775675	REV C												
			SCALE -	SHEET 1 OF 3												

THIS DRAWING IS UNPUBLISHED. RELEASED FOR PUBLICATION  
 © COPYRIGHT BY TYCO ELECTRONICS CORPORATION. ALL RIGHTS RESERVED.

LOC	DIST	REVISIONS				
P	LTR	DESCRIPTION	DATE	DWN	APVD	
DW	-	SEE SHEET 1.				



DETAIL Y

- NOTE:
- MATERIAL:  
HOUSING: PBT WITH 30% GF, UL94 V-0, BLACK COLOR.  
CONTACTS: PHOSPHOR BRONZE.
  - FINISH:  
CONTACTS: (SEE TABLE) GOLD PLATED ON CONTACT AREA,  
GOLD FLASH ON SOLDER TAIL, WITH ENTIRE  
CONTACT UNDERPLATED 1.27µm [50µ"] MIN. NICKEL.
  - WAVE SOLDER CAPABLE TO 240°C PER TE TEST SPEC.  
109-202, CONDITION A.

OBSOLETE	PIN POS.	MIN. GOLD THICKNESS	PART NUMBER
		0.762µm [30µ"]	4-1775675-3
		0.381µm [15µ"]	4-1775675-2
		0.152µm [6µ"]	4-1775675-1
	2P	1.37µm [50µ"]	3-1775675-4
		0.762µm [30µ"]	3-1775675-3
		0.381µm [15µ"]	3-1775675-2
		0.152µm [6µ"]	3-1775675-1

THIS DRAWING IS A CONTROLLED DOCUMENT.		DWN	O. HU	26OCT12	<b>STE</b> TE Connectivity		
DIMENSIONS: MM		CHK	S. HOU	26OCT12			
TOLERANCES UNLESS OTHERWISE SPECIFIED:		APVD	W. KODAMA	26OCT12	NAME		
0 PLC ± 0.50		PRODUCT SPEC		108-57527			
1 PLC ± 0.30		APPLICATION SPEC		-			
2 PLC ± 0.20		WEIGHT		3.0 GRAMS		SIZE	A3
3 PLC ± 0.10		CUSTOMER DRAWING		-		CAGE CODE	-
4 PLC ± -		FINISH		SEE NOTE		DRAWING NO	C=1775675
ANGLES ± -		MATERIAL		SEE NOTE		RESTRICTED TO	-
SEE NOTE		SCALE		-		SHEET	2 OF 3
		REV		C			

4

3

2

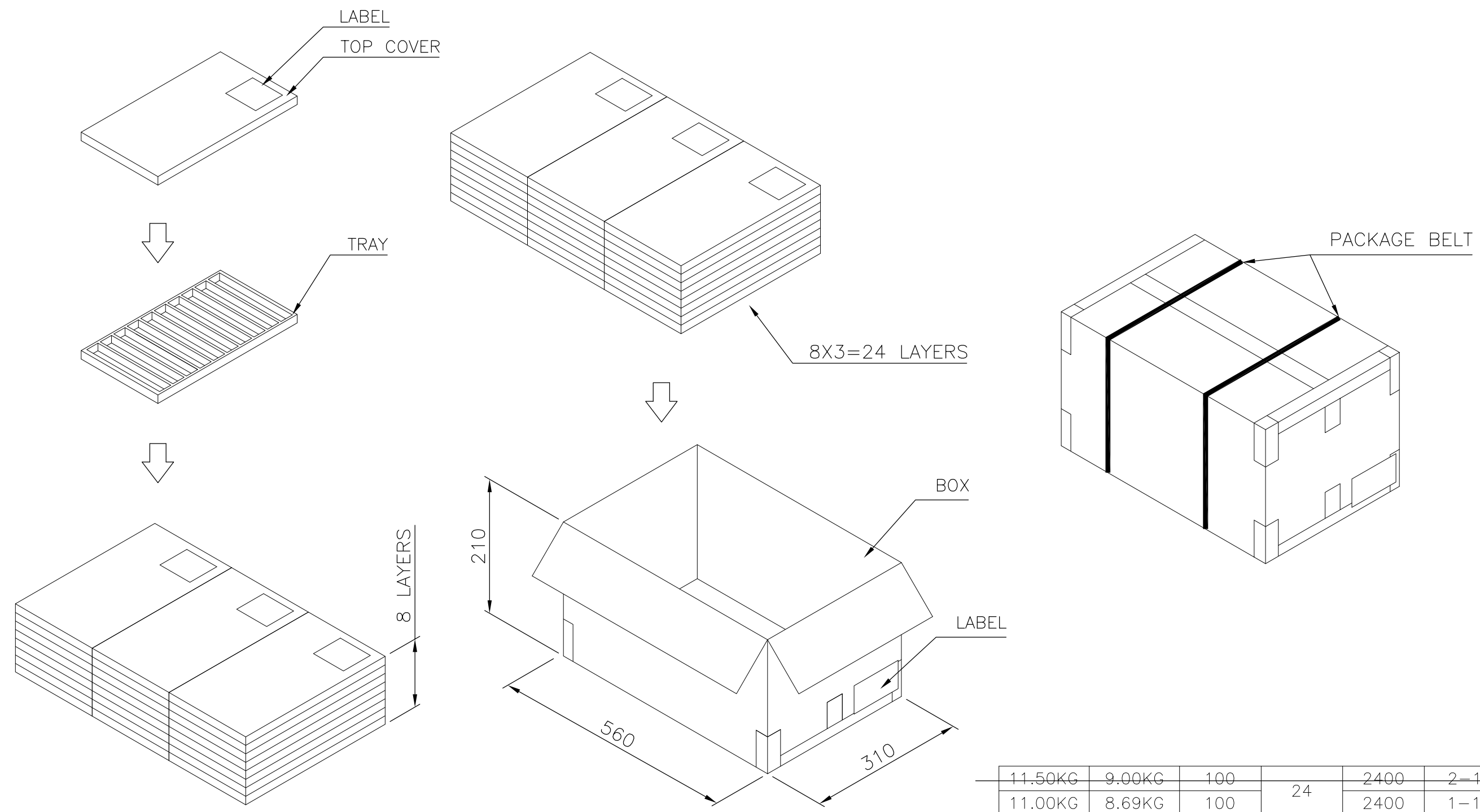
1

THIS DRAWING IS UNPUBLISHED. RELEASED FOR PUBLICATION  
 © COPYRIGHT BY TYCO ELECTRONICS CORPORATION. ALL RIGHTS RESERVED.

LOC	DIST	REVISIONS				
P	LTR	DESCRIPTION	DATE	DWN	APVD	
DW	-	SEE SHEET 1.				

D  
C  
B  
A

D  
C  
B  
A



11.50KG	9.00KG	100	24	2400	2-1775675-1
11.00KG	8.69KG	100		2400	1-1775675-1
GROSS WEIGHT	NET WEIGHT	PCS/ TRAY	TRAYS/ BOX	PCS/ BOX	PART NUMBER

THIS DRAWING IS A CONTROLLED DOCUMENT.		DWN	O. HU	26OCT12	 TE Connectivity
DIMENSIONS: MM		CHK	S. HOU	26OCT12	
		APVD	W. KODAMA	26OCT12	
TOLERANCES UNLESS OTHERWISE SPECIFIED:		PRODUCT SPEC			
0 PLC ± - 1 PLC ± - 2 PLC ± - 3 PLC ± - 4 PLC ± - ANGLES ± -		APPLICATION SPEC			NAME MODULAR JACK, SIDE ENTRY, LOW PROFILE, DIP
MATERIAL		WEIGHT			
		CUSTOMER DRAWING			SIZE: A3 CAGE CODE: 00779 DRAWING NO: C-1775675
		SCALE: -			RESTRICTED TO: - SHEET: 3 OF 3 REV: C

单击下面可查看定价，库存，交付和生命周期等信息

[>>TE Connectivity\(泰科\)](#)