

THIS DRAWING IS UNPUBLISHED.

RELEASED FOR PUBLICATION

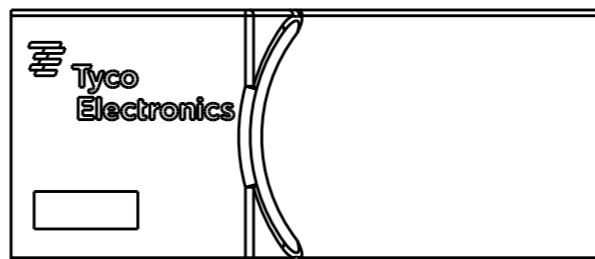
20

© COPYRIGHT 20 BY -

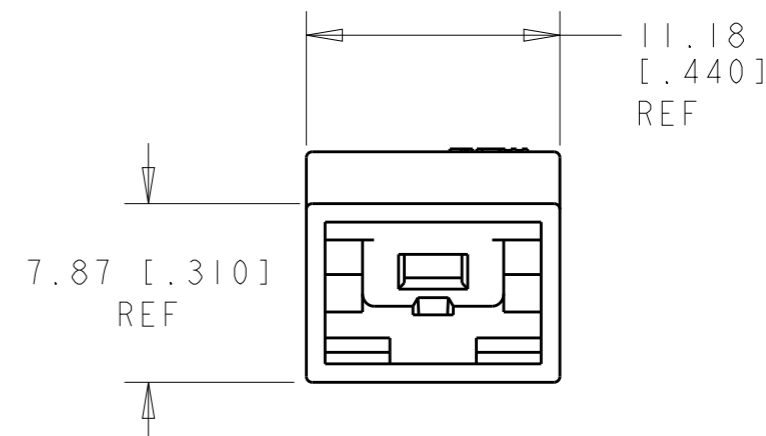
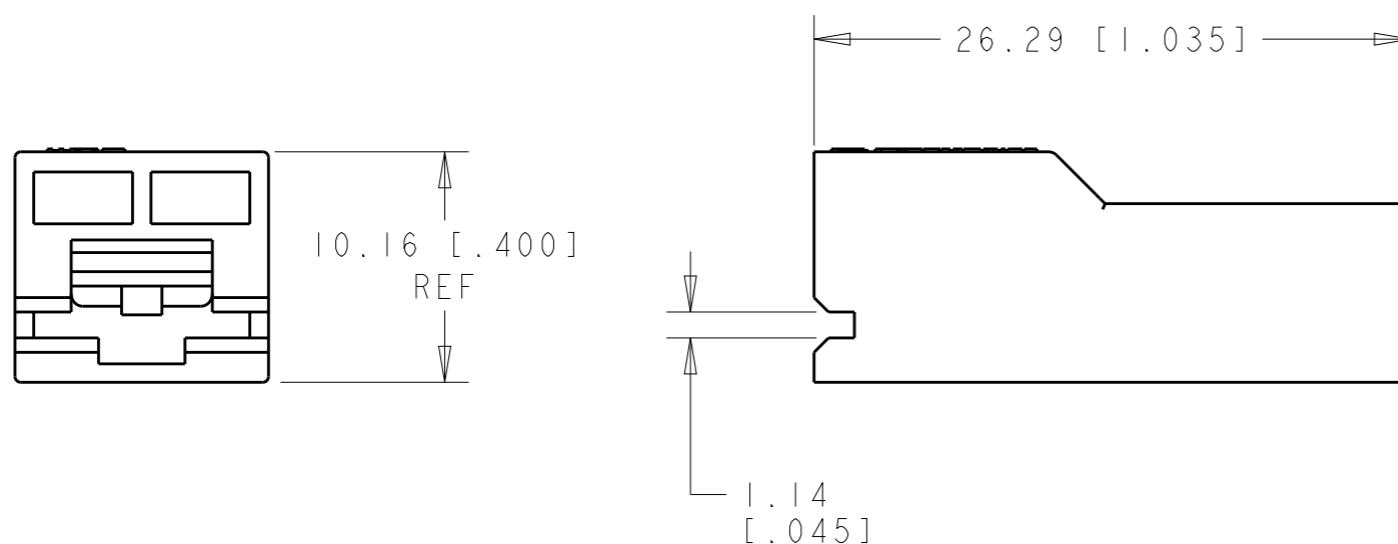
ALL RIGHTS RESERVED.

REVISIONS

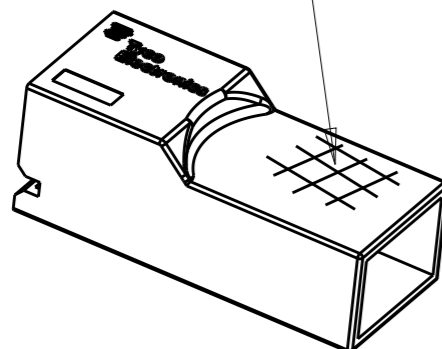
P	LTR	DESCRIPTION	DATE	DWN	APVD
	B4	REVISED PER ECR-18-005844	17APR2018	RS	DS



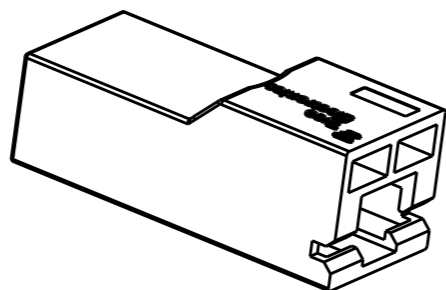
- ① 66 NYLON, V0, NO DRIP
- ② 6/6 NYLON, V2



FROSTED SURFACE



SCALE 2:1



SCALE 2:1

BLACK	66 Nylon V0 Natural	1-1969186-1
NATURAL	②	1969186-2
BLACK	①	1969186-1
COLOR	MATERIAL	PART NO.

THIS DRAWING IS A CONTROLLED DOCUMENT.		DWN JR RUTH 23JAN2008	STE TE Connectivity	
DIMENSIONS: mm [INCHES]		CHK PETE DESANTIS 23JAN2008		
TOLERANCES UNLESS OTHERWISE SPECIFIED:		APVD PETE DESANTIS 23JAN2008	NAME HOUSING, RECEPTACLE, FASTON, 7.92 [.312] SERIES	
0 PLC ±-		PRODUCT SPEC -	SIZE A3	
1 PLC ±-		APPLICATION SPEC -	CAGE CODE 00779	DRAWING NO C-1969186
2 PLC ±0.25 [.010]		WEIGHT -	RESTRICTED TO	
3 PLC ±-		CUSTOMER DRAWING	SCALE 3:1	SHEET 1 OF 1
4 PLC ±-			REV B4	
ANGLES ±-				
MATERIAL SEE TABLE material_2	FINISH SEE TABLE finish_spec_2			

单击下面可查看定价，库存，交付和生命周期等信息

[>>TE Connectivity\(泰科\)](#)