



MS5637 PERIPHERAL MODULE

Digital Pressure Sensor

General Description

The MS5637 peripheral module provides the necessary hardware to interface the MS5637 digital barometric pressure and temperature sensor to any system that utilizes Xplained pro compatible expansion ports configurable for I²C communication. The MS5637 sensor is a self-contained pressure and temperature sensor that is fully calibrated during manufacture. The sensor can operate from 1.5V to 3.6V. The sensor module includes a high-linearity pressure sensor and an ultra-low power 24 bit Σ ADC with internal factory-calibrated coefficients.

Specifications

- Measures pressure from 300mbar to 1200mbar
- Measures temperature from -40°C to 125°C
- I²C communication
- Fully calibrated
- Fast response time
- Very low power consumption

Features

- 20-pin Xplained pro compatible connector
- I²C interface
- Xplained Pro hardware identification chip
- Atmel Studio 6 Project available for download
- μ C C code available for download
- 24 bit resolution for pressure
- 24 bit resolution for temperature
- Parameters stored on chip

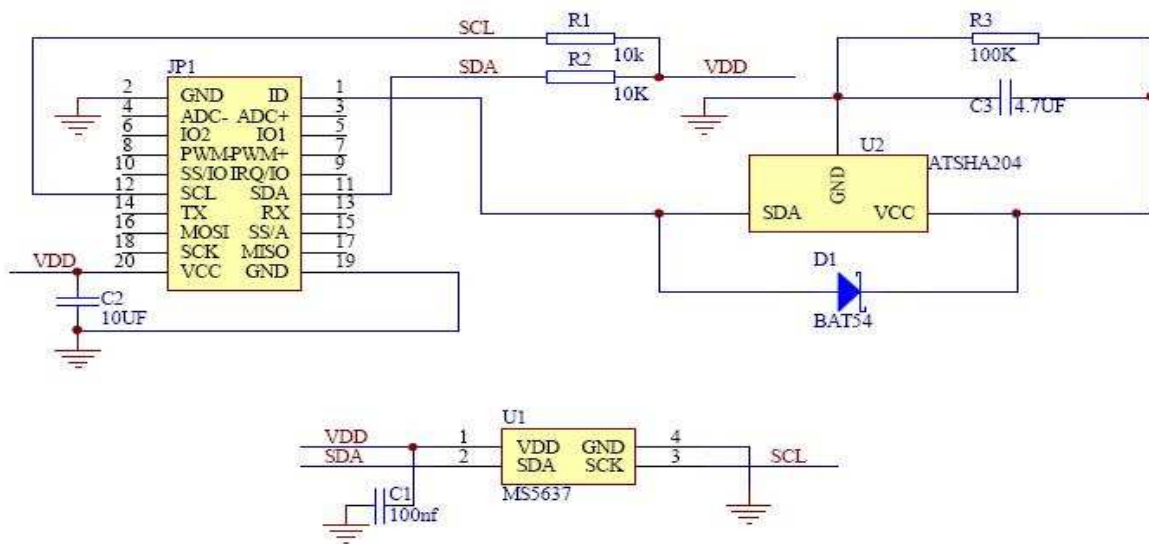
MS5637 PERIPHERAL MODULE

Digital Pressure Sensor

Performance

- 300 to 1200mbar pressure range
- -40°C to 85°C temperature range
- Very low power consumption
- Operates from 1.5V to 3.6V
- Altitude resolution at sea level is 20 cm of air
- Fast conversion time – 0.5 mS typical

Schematic



MS5637 PERIPHERAL MODULE

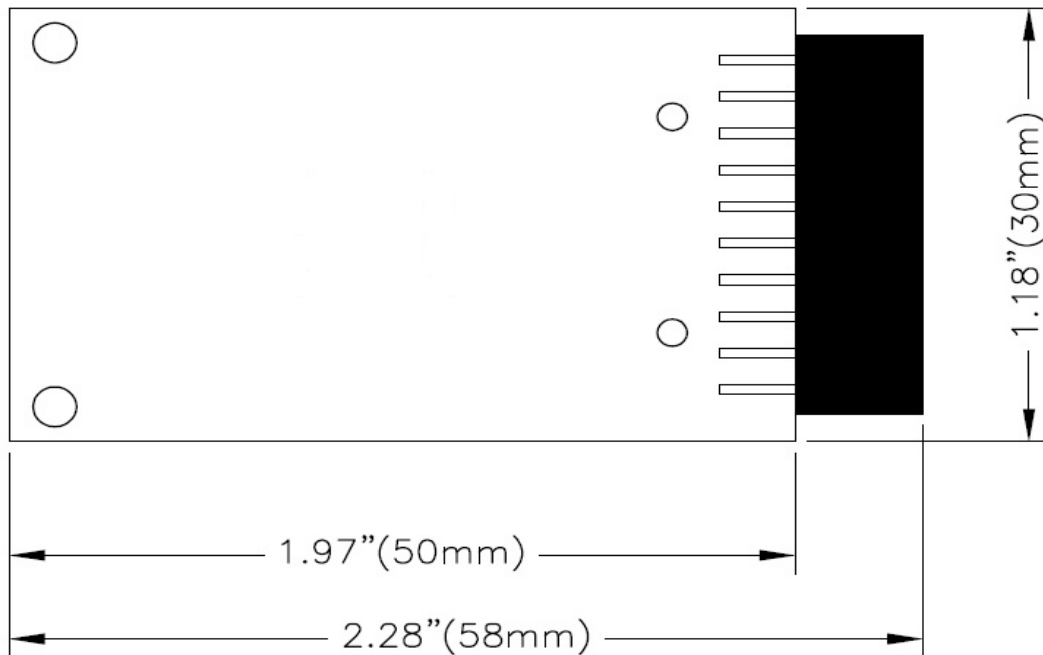
Digital Pressure Sensor

Connector Pin Assignments (I²C Communications)

System Plug (Table 1)

Connector JP1					
Pin No.	Signal	Description	Pin No.	Signal	Description
1	ID	Address	11	SDA	I2C Serial Data
2	GND	Ground	12	SCL	I2C Serial Clock
3	N/C	Not Connected	13	N/C	Not Connected
4	N/C	Not Connected	14	N/C	Not Connected
5	N/C	Not Connected	15	N/C	Not Connected
6	N/C	Not Connected	16	N/C	Not Connected
7	N/C	Not Connected	17	N/C	Not Connected
8	N/C	Not Connected	18	N/C	Not Connected
9	N/C	Not Connected	19	GND	Ground
10	N/C	Not Connected	20	Vdd	Power Supply

Dimensions(mm)



MS5637 PERIPHERAL MODULE

Digital Pressure Sensor

Detailed Description

I²C Interface

The peripheral module can interface to the host being plugged directly into an Xplained Pro extension port (configured for I2C) through connector JP1

Reference Material

- Detailed information regarding operation of the IC:
[MS5637 Datasheet](#)
- Detailed information regarding SAMD2x Driver:
MS5637 SAMD2x Driver
- Complete software sensor evaluation kit for Xplained Pro:
MS5637 SAMD2x Software

Ordering Information

Description	Part Number
MS5637 PERIPHERAL MODULE	DPP101A000

te.com/en/products/sensors.html

TE Connectivity, TE Connectivity (logo) and Every Connection Counts are trademarks. All other logos, products and/or company names referred to herein might be trademarks of their respective owners.

The information given herein, including drawings, illustrations and schematics which are intended for illustration purposes only, is believed to be reliable. However, TE Connectivity makes no warranties as to its accuracy or completeness and disclaims any liability in connection with its use. TE Connectivity's obligations shall only be as set forth in TE Connectivity's Standard Terms and Conditions of Sale for this product and in no case will TE Connectivity be liable for any incidental, indirect or consequential damages arising out of the sale, resale, use or misuse of the product. Users of TE Connectivity products should make their own evaluation to determine the suitability of each such product for the specific application.

© 2015 TE Connectivity Ltd. family of companies All Rights Reserved.

000000XX 03/15 Original

PRODUCT SHEET

Contact us:

Measurement Specialties Inc – MEAS France
Impasse Jeanne Benozzi CS 83 163
31027 Toulouse Cedex 3, FRANCE
Tel:+33 (0)5 820.822.02 Fax:+33 (0)5.820.821.51
Sales: sales.tlse.fr@meas-spec.com
MEAS Website: http://www.meas-spec.com/DCS_TBD



单击下面可查看定价，库存，交付和生命周期等信息

[>>TE Connectivity\(泰科\)](#)