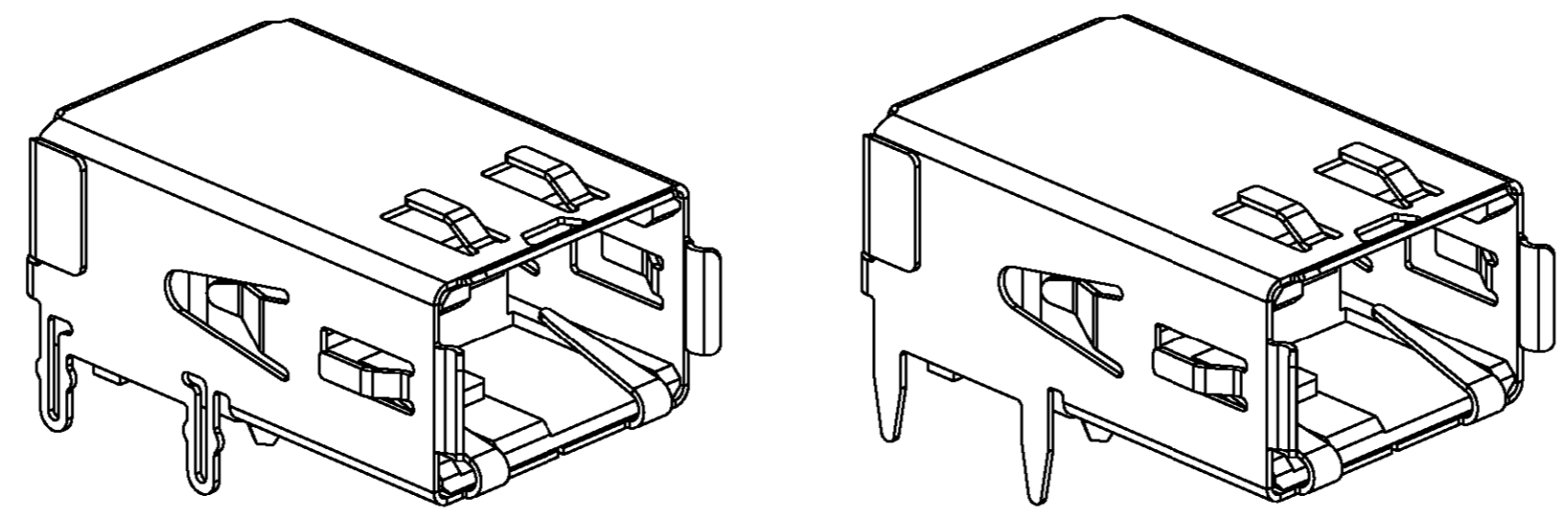


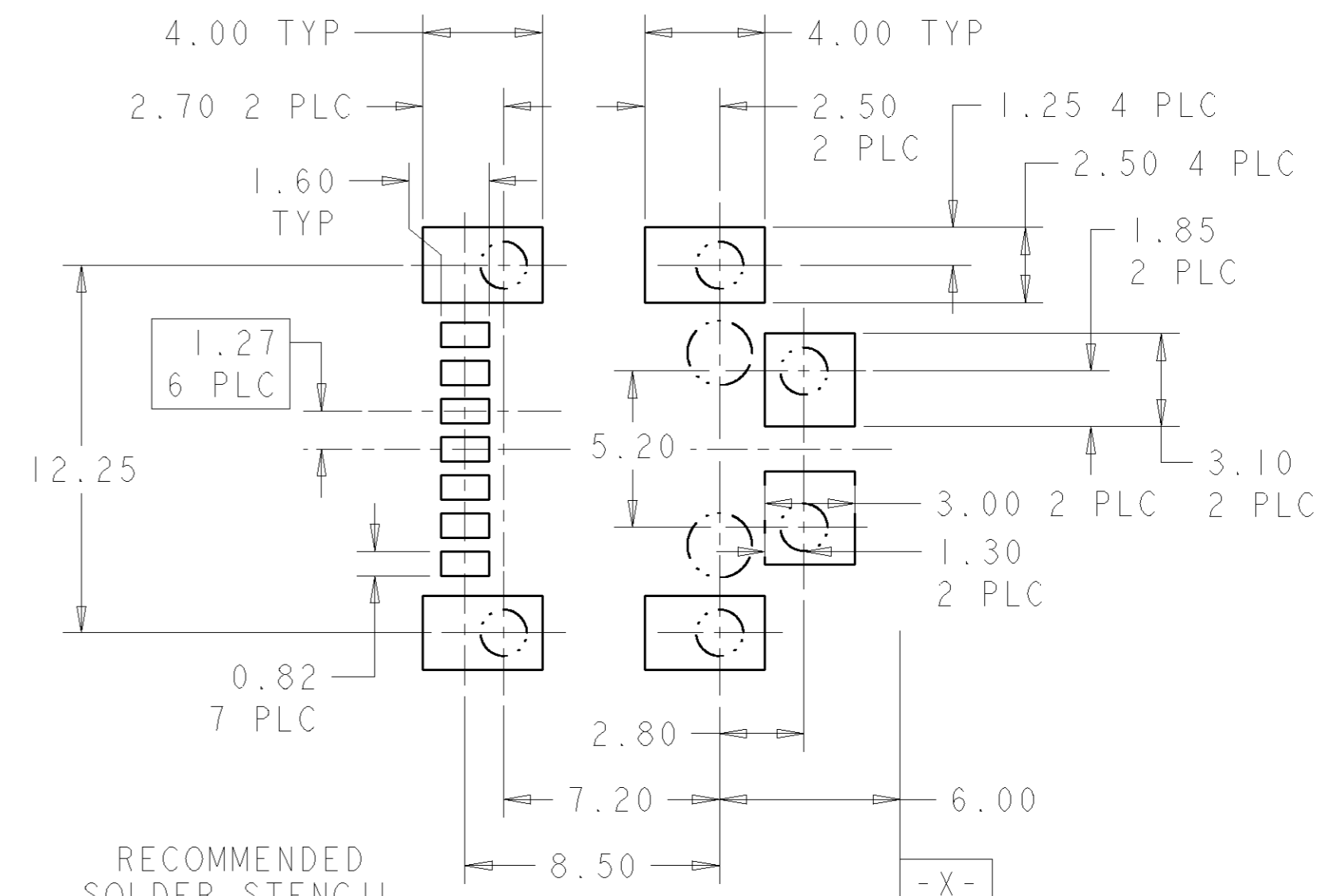
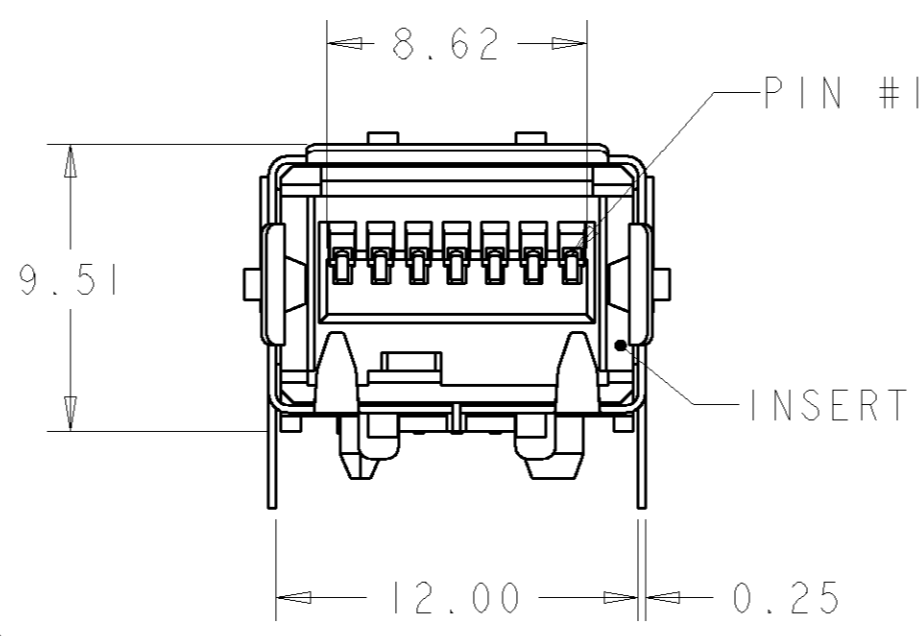
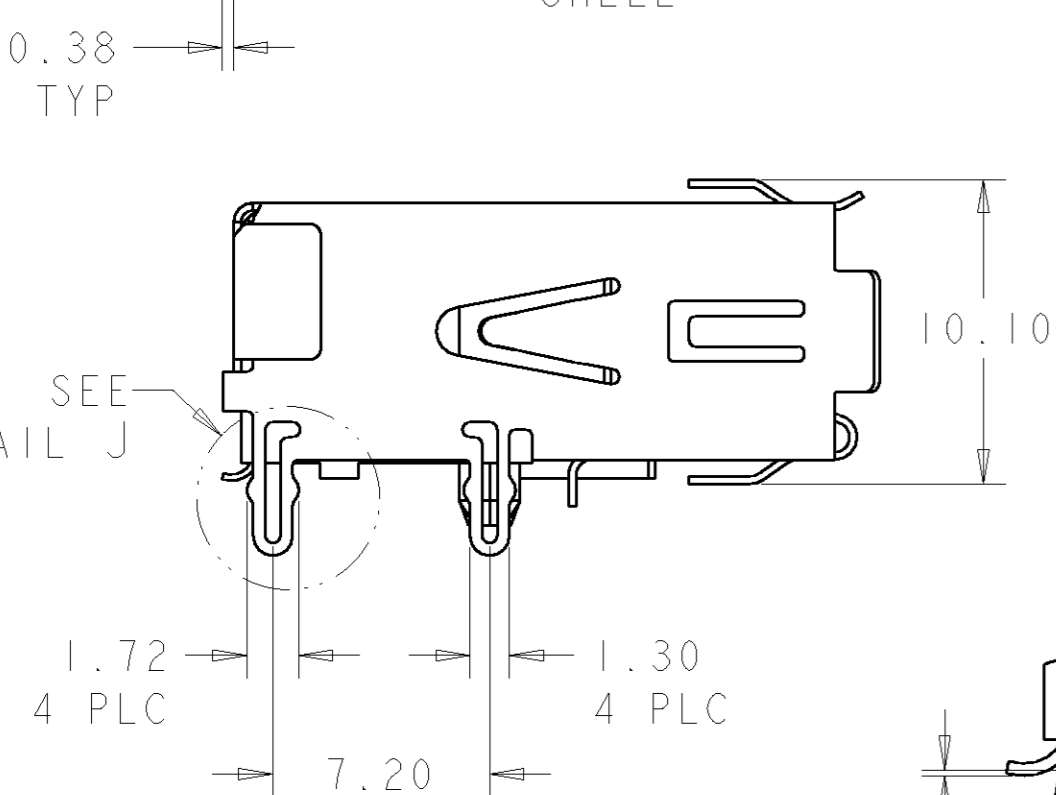
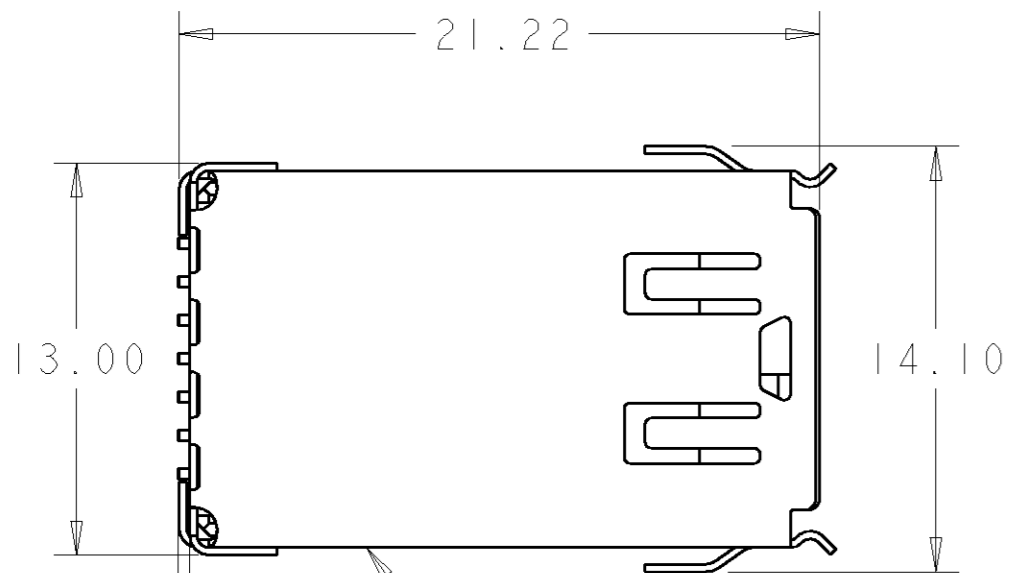
THIS DRAWING IS UNPUBLISHED. RELEASED FOR PUBLICATION 20  
 © COPYRIGHT 20 BY TYCO ELECTRONICS CORPORATION. ALL RIGHTS RESERVED.

LOC	DIST	REVISIONS			
P	LTR	DESCRIPTION	DATE	DWN	APVD
GP	00				
	0	RELEASED PER EC 0S13-0130-04	23APR04	JG	CR
	A	REVISED PER ECO-06-007876	12DEC06	JDP	SAS
	AI	REVISED PER ECO-06-029973	22DEC2006	CJV	SAS

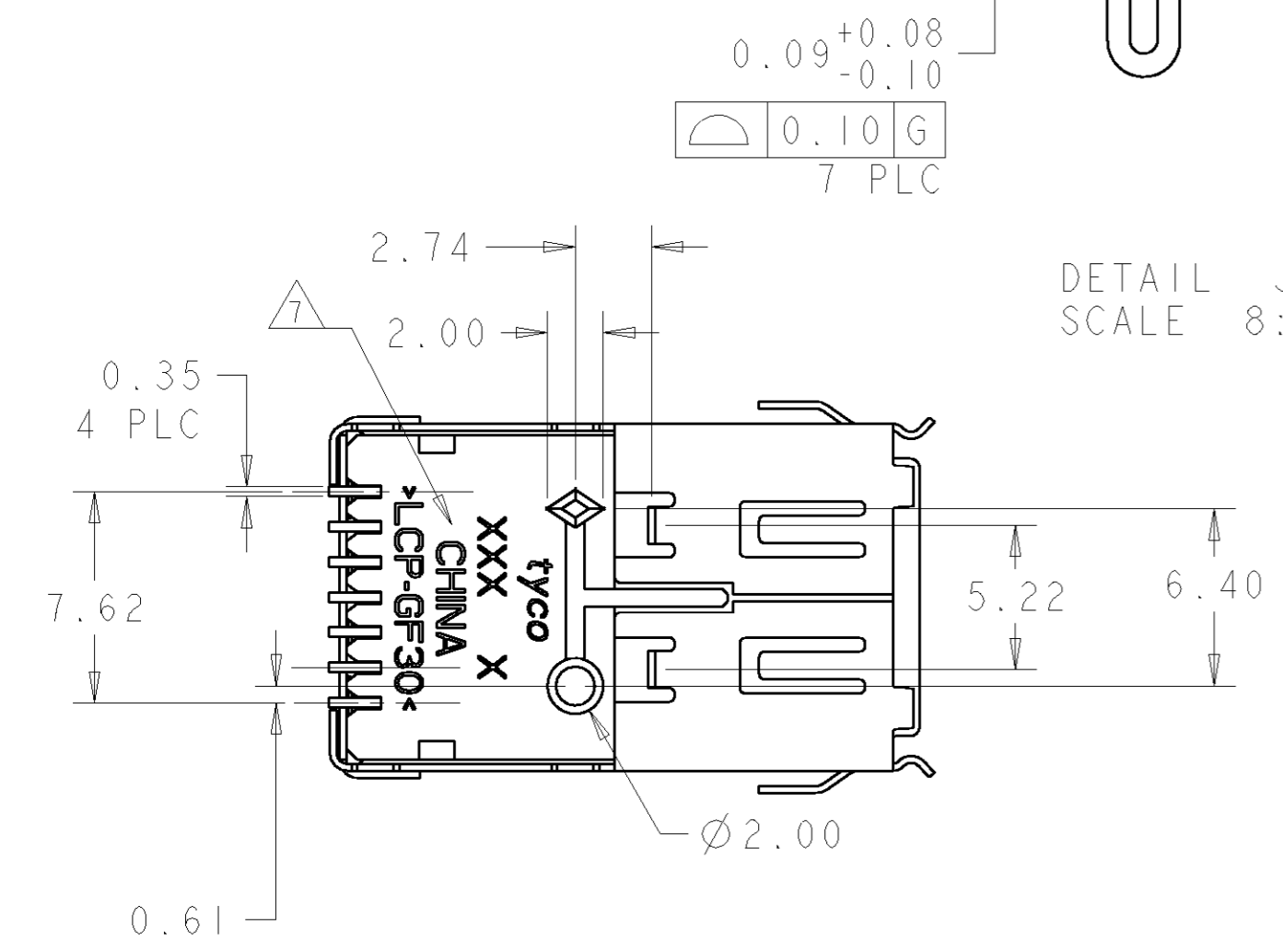
- 1 INSERT: LCP, UL 94V-0 RATED.  
CONTACTS: COPPER ALLOY  
SHELL: PHOSPHOR BRONZE.
- 2 CONTACTS: 1.27µm MINIMUM GOLD OVER  
3.81µm MINIMUM NICKEL ON MATING END.  
3.81µm MINIMUM MATTE TIN OVER  
1.27µm MINIMUM NICKEL ON SOLDER TAILS.  
SHELL: 3µm MINIMUM TIN OVER  
1.27µm MINIMUM NICKEL.
- 3 DATUM AND BASIC DIMENSION ESTABLISHED BY CUSTOMER.
- 4 LOCATION OF STANDOFF CONTACTING THE BOARD.
- 5 PACKAGED IN TRAY.
- 6 PACKAGED TAPE AND REEL.
- 7 TYCO LOGO, COUNTRY OF ORIGIN, MATERIAL CODE, BUILDING NUMBER AND MOLD CAVITY ID ARE FROSTED ON THIS SURFACE.



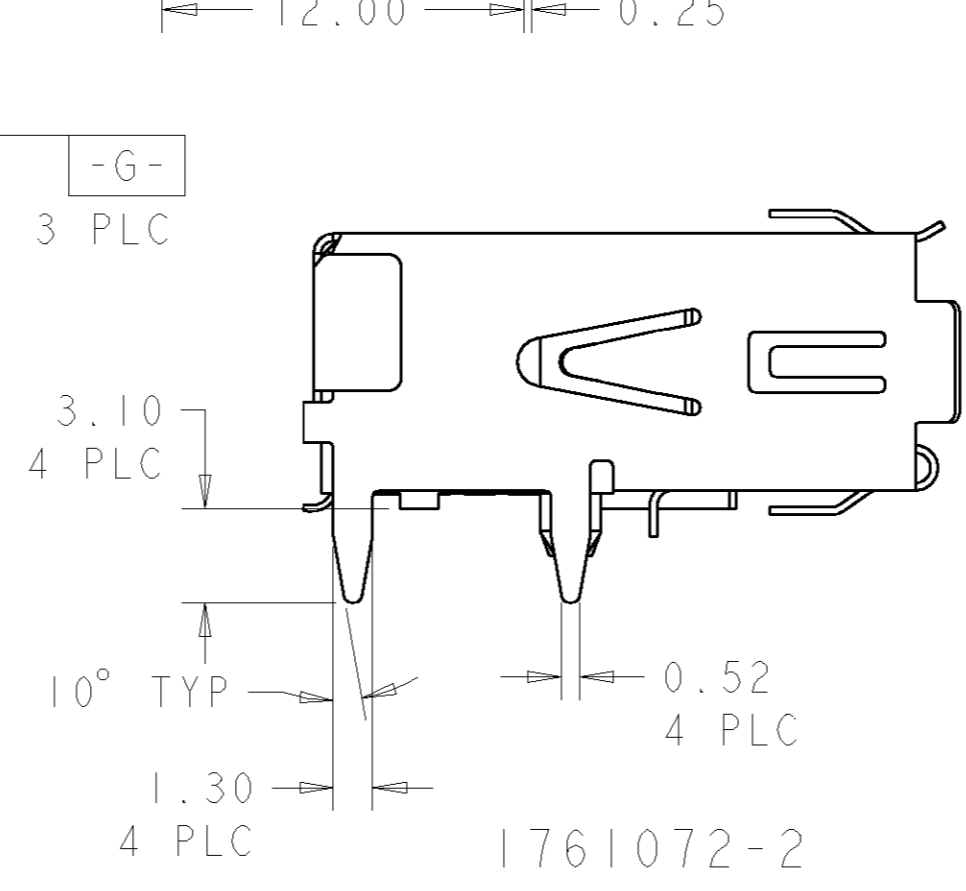
1761072-1 SOLDER TAIL WITH BOARDLOCK  
 1761072-2 SOLDER TAIL



RECOMMENDED SOLDER STENCIL LAYOUT SCALE 5:1



DETAIL J SCALE 8:1



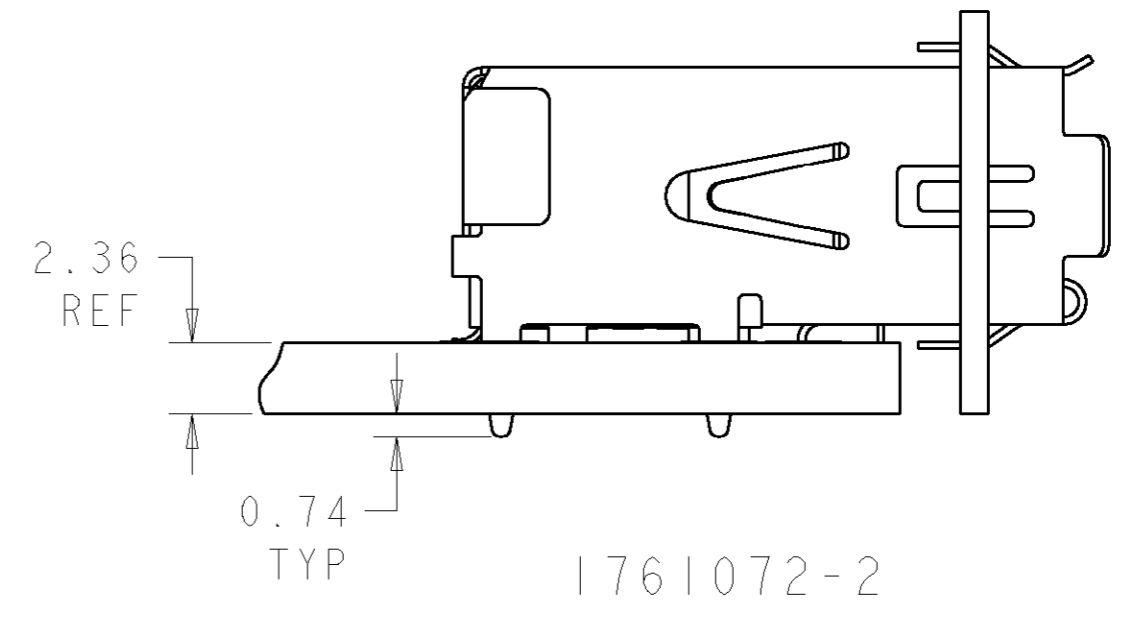
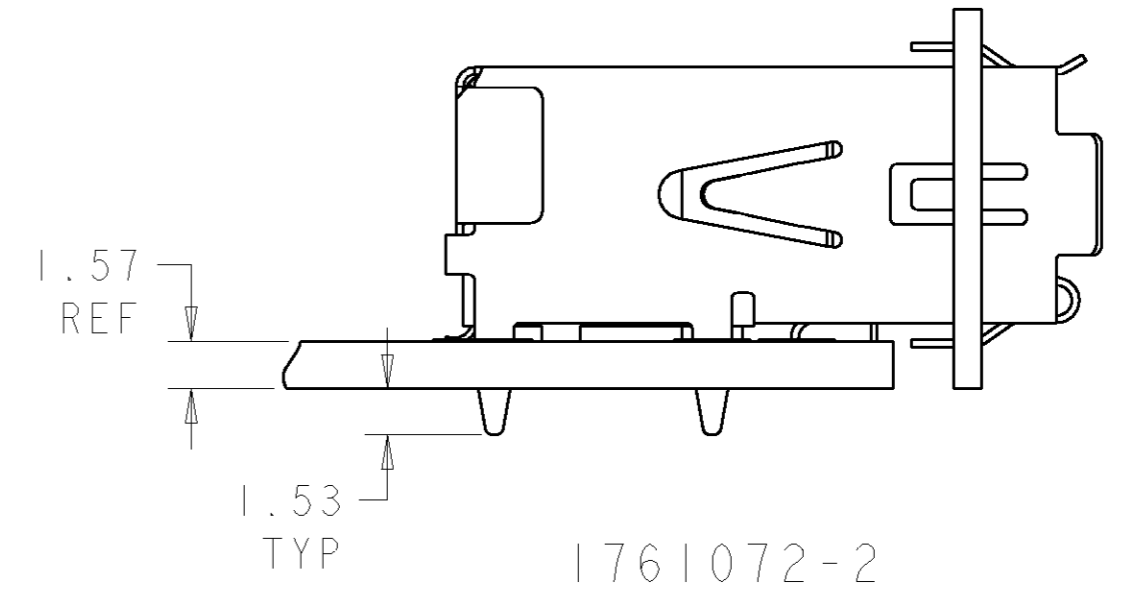
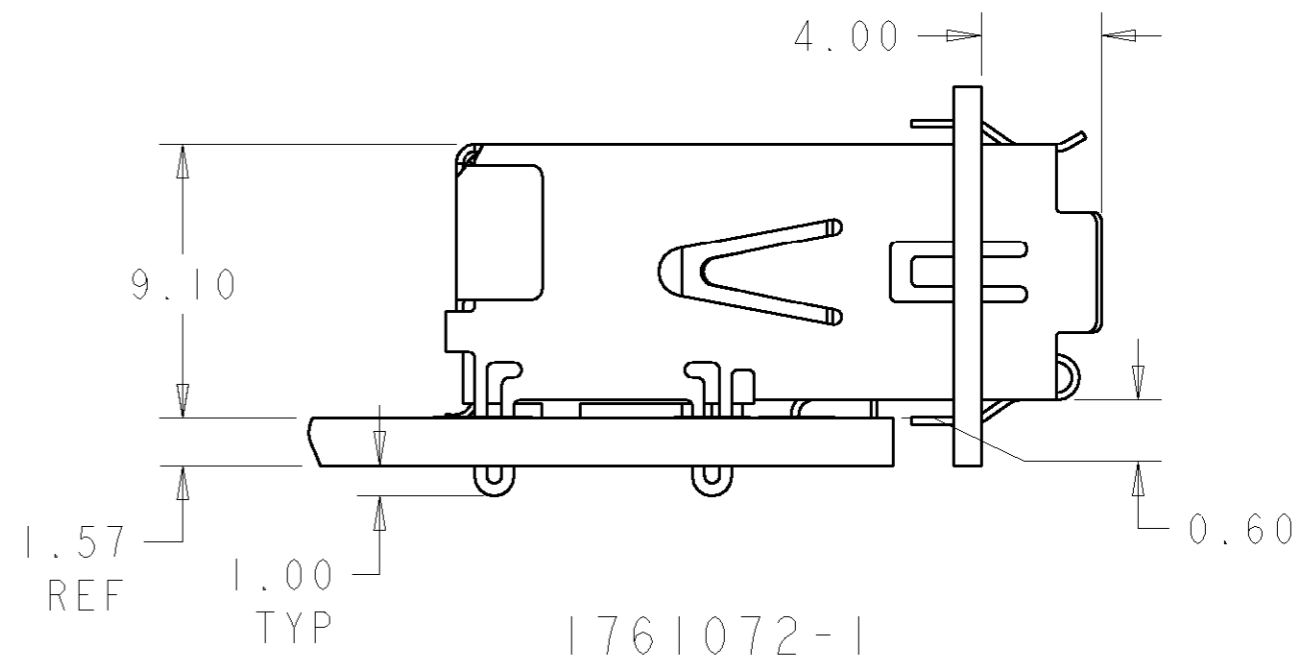
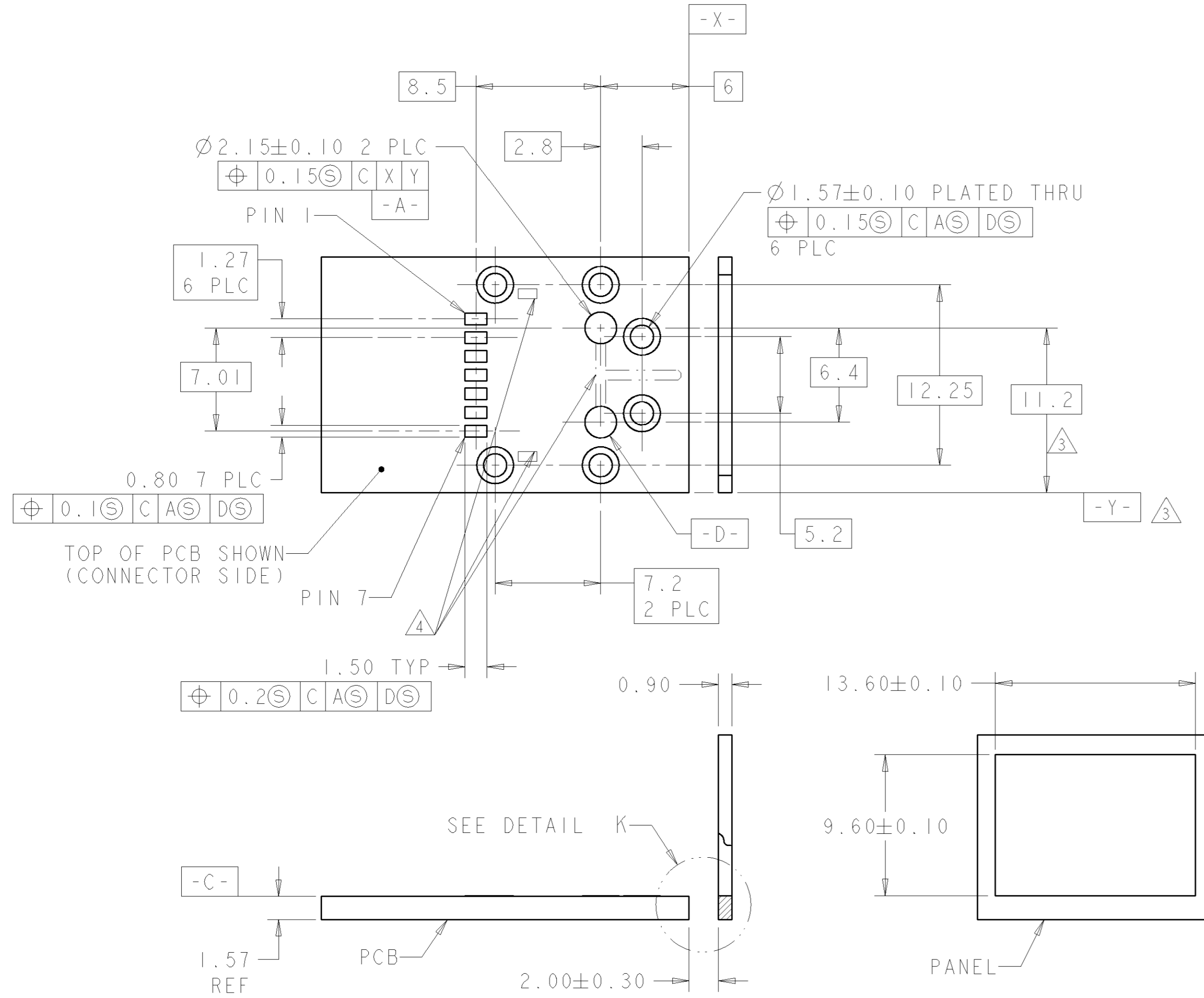
**COPYRIGHT 2004  
 ALL RIGHTS RESERVED  
 TYCO ELECTRONICS CORP**

PACKAGING	DESCRIPTION	PART NUMBER
6	SAME AS 1761072-1	1761072-4
5	SAME AS 1761072-2	1761072-3
6	SOLDER TAIL	1761072-2
5	SOLDER TAIL WITH BOARDLOCK	1761072-1

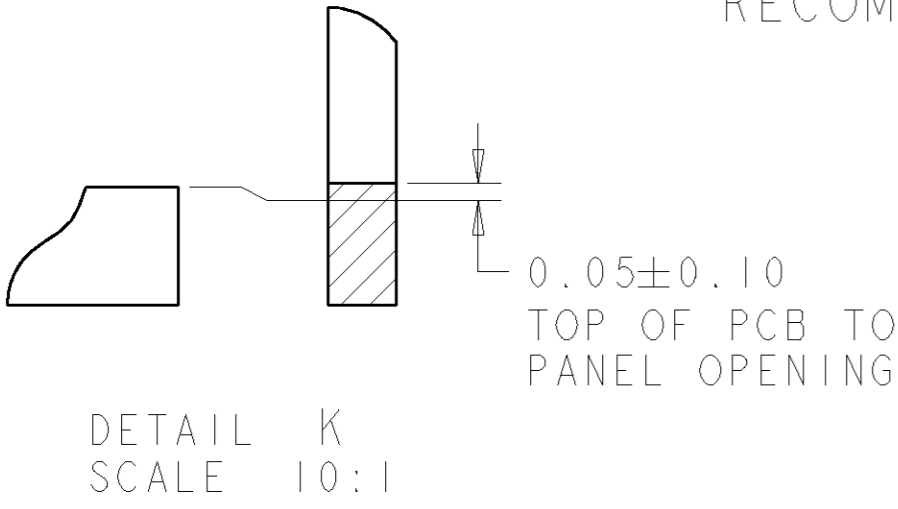
THIS DRAWING IS A CONTROLLED DOCUMENT FOR TYCO ELECTRONICS CORPORATION IT IS SUBJECT TO CHANGE AND THE CONTROLLING ENGINEERING ORGANIZATION SHOULD BE CONTACTED FOR THE LATEST REVISION.		DWN J.GERACE 23APR04	Tyco Electronics Harrisburg, PA 17105-3608	
DIMENSIONS: mm		CHK C.ROHDE 23APR04		
TOLERANCES UNLESS OTHERWISE SPECIFIED:		APVD M.WALMSLEY 23APR04	NAME RECEPTACLE ASSEMBLY, FIBRE CHANNEL, SURFACE MOUNT, SINGLE ROW, HSSDC2	
0 PLC ±		PRODUCT SPEC 108-1965	SIZE CAGE CODE DRAWING NO RESTRICTED TO	
1 PLC ±		APPLICATION SPEC 114-13028	A2 00779 G-1761072	
2 PLC ±0.13		WEIGHT 2.71	SCALE 4:1 SHEET 1 OF 3 REV AI	
3 PLC ±		CUSTOMER DRAWING		
4 PLC ±				
ANGLES ±3°				
FINISH				

THIS DRAWING IS UNPUBLISHED. RELEASED FOR PUBLICATION 20  
 © COPYRIGHT 20 BY TYCO ELECTRONICS CORPORATION. ALL RIGHTS RESERVED.

LOC	DIST	REVISIONS			
P	LTR	DESCRIPTION	DATE	DWN	APVD
GP	00	SEE SHEET 1	-	-	-



RECOMMENDED PCB AND PANEL LAYOUT  
 CONNECTOR SIDE SHOWN

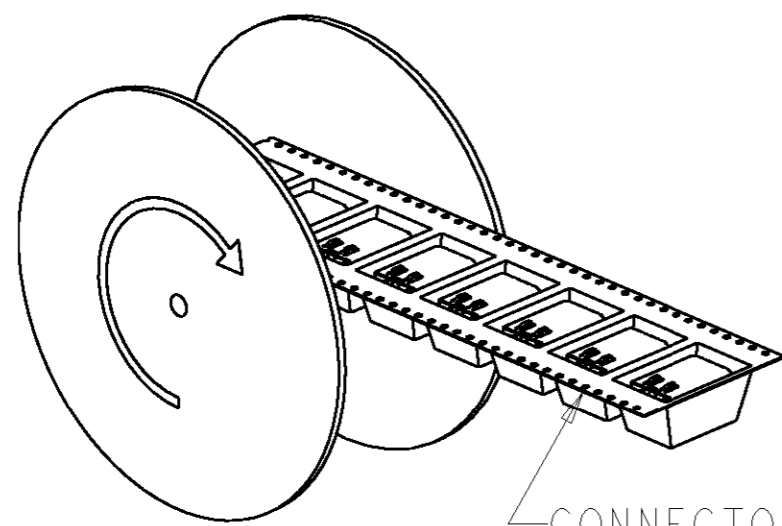
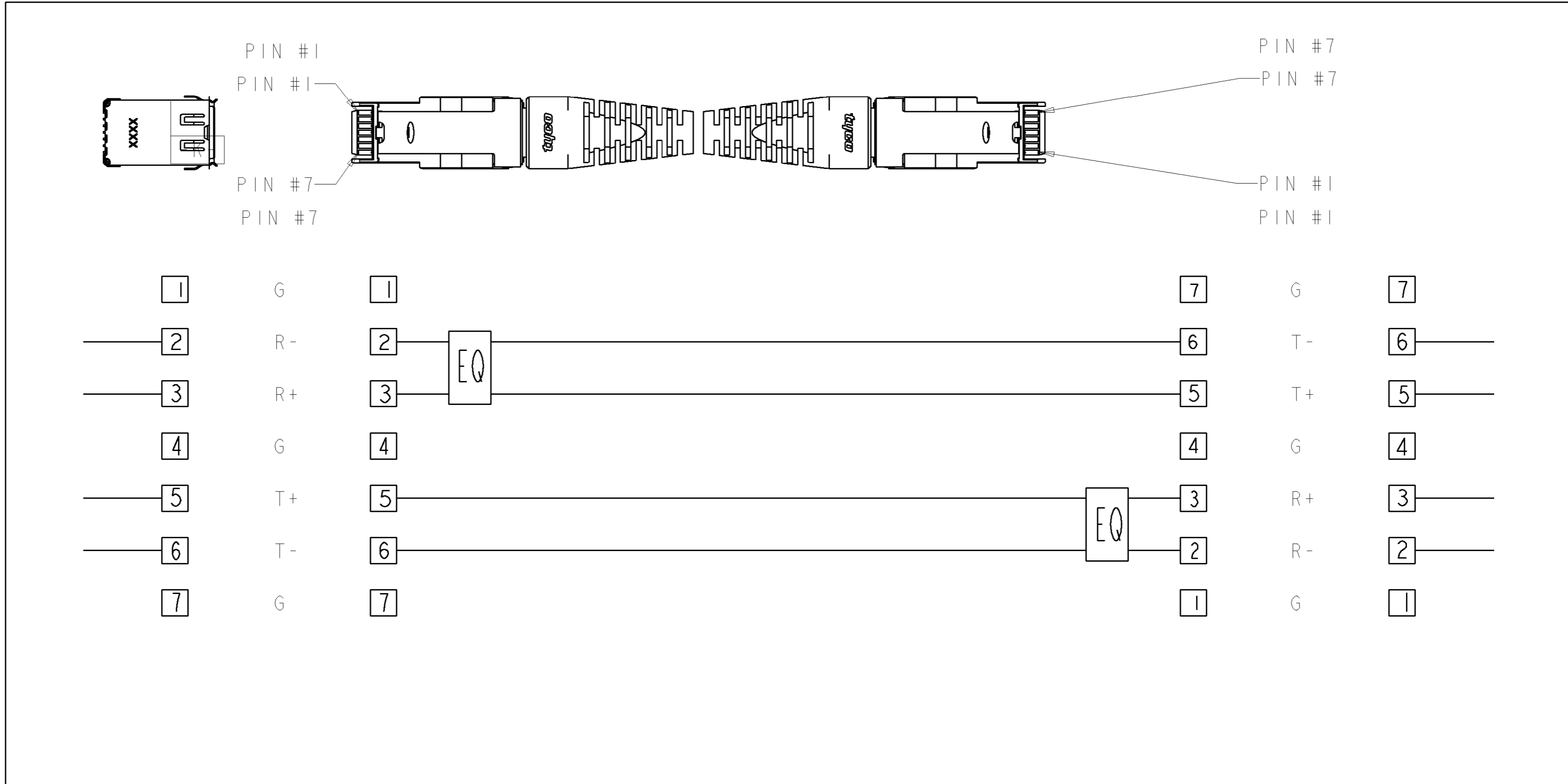


**COPYRIGHT 2004  
 ALL RIGHTS RESERVED  
 TYCO ELECTRONICS CORP**

THIS DRAWING IS A CONTROLLED DOCUMENT FOR TYCO ELECTRONICS CORPORATION IT IS SUBJECT TO CHANGE AND THE CONTROLLING ENGINEERING ORGANIZATION SHOULD BE CONTACTED FOR THE LATEST REVISION.		DWN J. GERACE 23APR04	Tyco Electronics Harrisburg, PA 17105-3608	
DIMENSIONS: mm		CHK C. ROHDE 23APR04	NAME RECEPTACLE ASSEMBLY, FIBRE CHANNEL, SURFACE MOUNT, SINGLE ROW, HSSDC2	
TOLERANCES UNLESS OTHERWISE SPECIFIED: 0 PLC ± 1 PLC ± 2 PLC ±0.13 3 PLC ± 4 PLC ± ANGLES ±3° FINISH		APVD M. WALMSLEY 23APR04	PRODUCT SPEC - APPLICATION SPEC -	
MATERIAL		WEIGHT -	SIZE A2	RESTRICTED TO -
-		CUSTOMER DRAWING	CAGE CODE 00779	DRAWING NO 1761072
		SCALE 4:1	SHEET 2	REV A1

THIS DRAWING IS UNPUBLISHED. RELEASED FOR PUBLICATION 20  
 © COPYRIGHT 20 BY TYCO ELECTRONICS CORPORATION. ALL RIGHTS RESERVED.

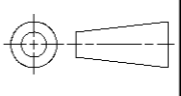
LOC	DIST	REVISIONS			
P	LTR	DESCRIPTION	DATE	DWN	APVD
GP	00	-	SEE SHEET 1	-	-



TAPE AND REEL  
 PACKAGING ORIENTATION  
 SCALE: NTS

PIN ASSIGNMENTS  
 REFERENCE ONLY  
 SCALE: NTS

**COPYRIGHT 2004  
 ALL RIGHTS RESERVED  
 TYCO ELECTRONICS CORP**

<small>THIS DRAWING IS A CONTROLLED DOCUMENT FOR TYCO ELECTRONICS CORPORATION          IT IS SUBJECT TO CHANGE AND THE CONTROLLING ENGINEERING ORGANIZATION          SHOULD BE CONTACTED FOR THE LATEST REVISION.</small>		DWN J.GERACE 23APR04 CHK C.ROHDE 23APR04 APVD M.WALMSLEY 23APR04	<b>AMP</b> Tyco Electronics Harrisburg, PA 17105-3608
DIMENSIONS: mm 	TOLERANCES UNLESS OTHERWISE SPECIFIED: 0 PLC ± 1 PLC ± 2 PLC ±0.13 3 PLC ± 4 PLC ± ANGLES ±3° FINISH	NAME RECEPTACLE ASSEMBLY, FIBRE CHANNEL, SURFACE MOUNT, SINGLE ROW, HSSDC2 PRODUCT SPEC - APPLICATION SPEC - WEIGHT - CUSTOMER DRAWING	SIZE A2 CAGE CODE 00779 DRAWING NO. 1761072 RESTRICTED TO - SCALE 4:1 SHEET 3 OF 3 REV A1

单击下面可查看定价，库存，交付和生命周期等信息

[>>TE Connectivity\(泰科\)](#)