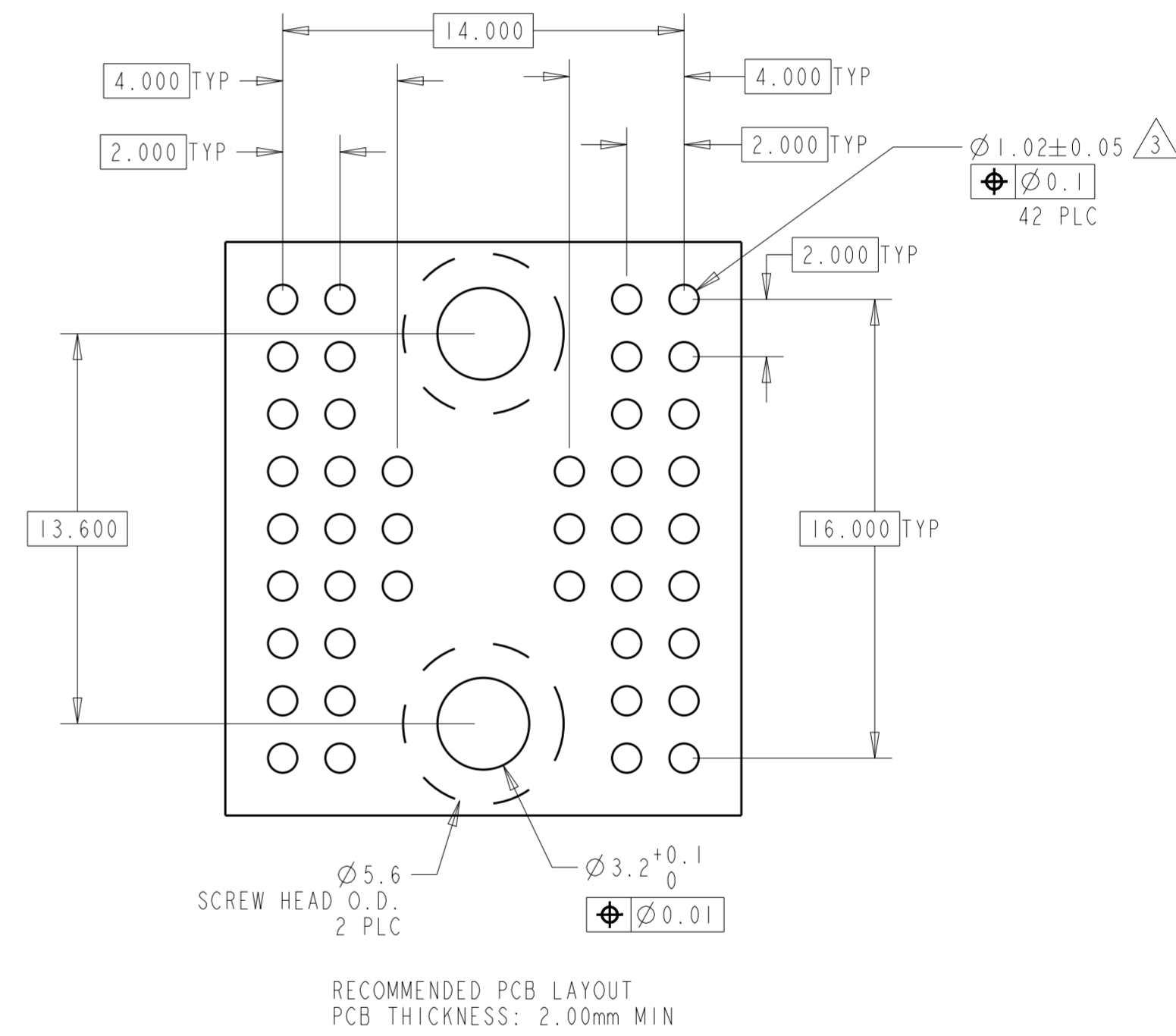
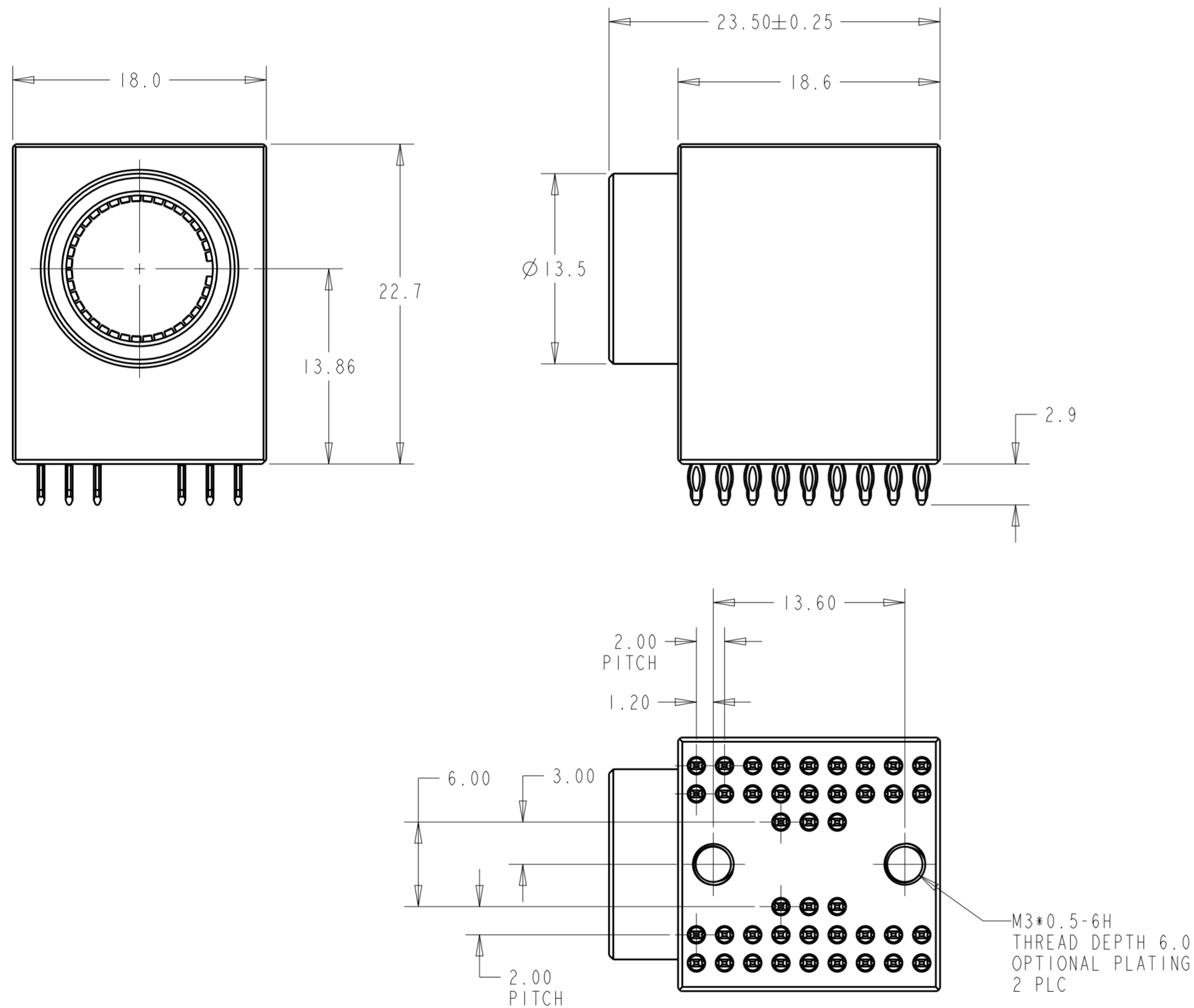


P	LTR	DESCRIPTION	DATE	DWN	APVD
A		RELEASE	13OCT2020	AL	SZ

1. MATERIAL: COPPER ALLOY FOR ROUND SOCKET, SQUARE BODY, AND COMPLIANT PINS.
2. FINISH:
 ROUND SOCKET: 150µIN MIN SILVER OVER 50µIN MIN NICKEL PLATING
 SQUARE BODY: 150µIN MIN NICKLE PLATING
 COMPLIANT PINS: 80µIN MIN TIN OVER 50µIN NICKEL PLATING
3. RECOMMENDED PCB HOLE SPEC:
 DRILLED HOLE: $\varnothing 1.15 \pm 0.025$ mm
 FINISHED HOLE: $\varnothing 1.02 \pm 0.05$ mm
 COPPER PLATING: 0.03mm MIN PER SURFACE
 TIN PLATING: 0.008mm MIN PER SURFACE
4. ELECTRICAL PERFORMANCE: 300A CURRENT
5. INSTALLATION: APPROX. 230Lbf TO PRESS ASSEMBLY ONTO BOARD
6. RECOMMENDED TORQUE FOR M3 SCREW: 5Kgf*cm



RECOMMENDED PCB LAYOUT
 PCB THICKNESS: 2.00mm MIN

2358715-1 PART NUMBER

THIS DRAWING IS A CONTROLLED DOCUMENT.		DWN ANDY LI 04JUL2019	TE Connectivity															
DIMENSIONS: mm		CHK -			APVD SUNY ZHAO 04JUL2019													
TOLERANCES UNLESS OTHERWISE SPECIFIED:		NAME 10.3MM ICCON BLOCK ROUND SOCKET, RIGHT ANGLE		RESTRICTED TO														
<table border="1"> <tr><td>0 PLC</td><td>±</td></tr> <tr><td>1 PLC</td><td>±0.3</td></tr> <tr><td>2 PLC</td><td>±0.2</td></tr> <tr><td>3 PLC</td><td>±0.1</td></tr> <tr><td>4 PLC</td><td>±0.0001</td></tr> <tr><td>ANGLES</td><td>±</td></tr> <tr><td>FINISH</td><td>±</td></tr> </table>		0 PLC	±	1 PLC	±0.3	2 PLC	±0.2	3 PLC	±0.1	4 PLC	±0.0001	ANGLES	±	FINISH	±	PRODUCT SPEC 108-128111	SIZE A2	CAGE CODE 00779
0 PLC	±																	
1 PLC	±0.3																	
2 PLC	±0.2																	
3 PLC	±0.1																	
4 PLC	±0.0001																	
ANGLES	±																	
FINISH	±																	
MATERIAL SEE NOTE 1	FINISH SEE NOTE 2	APPLICATION SPEC 114-128112	DRAWING NO C-2358715	SCALE 3:1														
CUSTOMER DRAWING		WEIGHT -	SHEET 1	REV A1														

单击下面可查看定价，库存，交付和生命周期等信息

[>>TE Connectivity\(泰科\)](#)