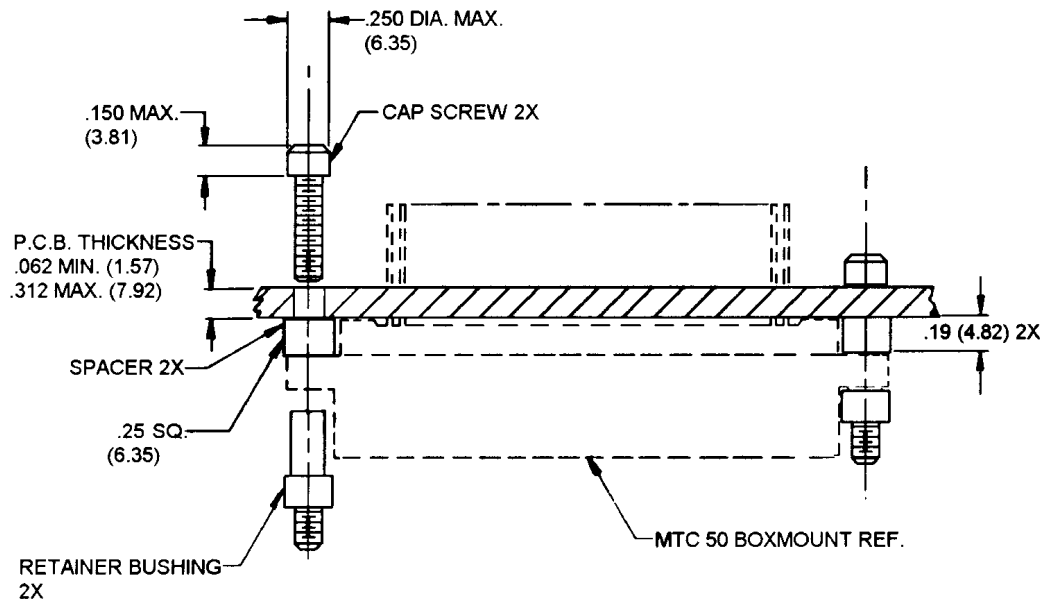


REVISIONS			
LTR	DESCRIPTION	DATE	APPROVED
1	PRE-PRODUCTION ECN T-3958	83JAN14	M.H.
A	REVISED PER ECN T-20673	96/3/29	M.HIGGY
B	REVISED PER DCR# T-23807	12/15/99	M.HIGGY



NOTES:

1. THIS HARDWARE KIT IS USED TO MOUNT THE MTC 50 FLANGELESS BOXMOUNT TO A PRINTED CIRCUIT BOARD.
2. ITEMS ARE SHIPPED UNASSEMBLED IN A PLASTIC BAG.

3. FINISH:

- A. RETAINER BUSHING PASSIVATED PER QQ-P-35
- B. CAP SCREW PASSIVATED PER QQ-P-35

4. MATERIAL:

- A. RETAINER BUSHING SS 300 SERIES PER QQ-S-763
- B. CAP SCREW SS 300 SERIES PER QQ-S-763
- C. SPACER NYLON

5. TOLERANCE, UNLESS OTHERWISE SPECIFIED:

.XX = ±.02 (.51)

SPECIFICATION CONTROL DRAWING

DRAWN	PIERCE	82OCT05	Raychem		Raychem Corporation 300 Constitution Drive Menlo Park, California 94025	
CHECKED	HAWKINGS	82OCT08				
APPROVED			TITLE			
APPROVED			P.C. BOARD MOUNTING KIT FOR MTC 50, FLANGELESS BOXMOUNT CONNECTORS			
UNLESS OTHERWISE SPECIFIED DIMENSIONS ARE IN INCHES METRIC DIMENSIONS ARE IN PARENTHESIS			SIZE	CODE IDENT NO	DWG NO	
DO NOT SCALE THIS DRAWING			A	06090	CHA-0047	B
			T23807.TIF	WEIGHT	SHEET	OF

If this document is printed it becomes uncontrolled.
Check with the web for latest revision.

单击下面可查看定价，库存，交付和生命周期等信息

[>>TE Connectivity\(泰科\)](#)