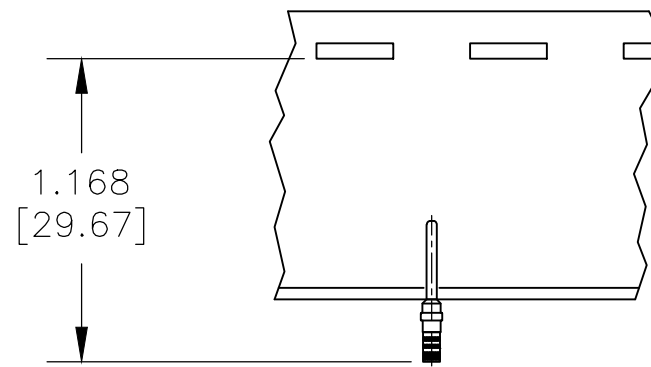
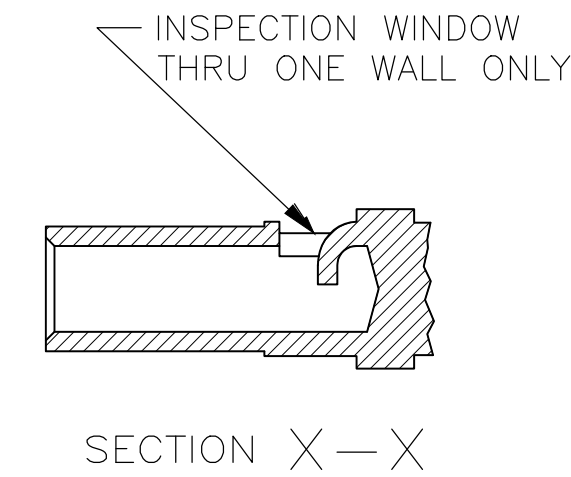
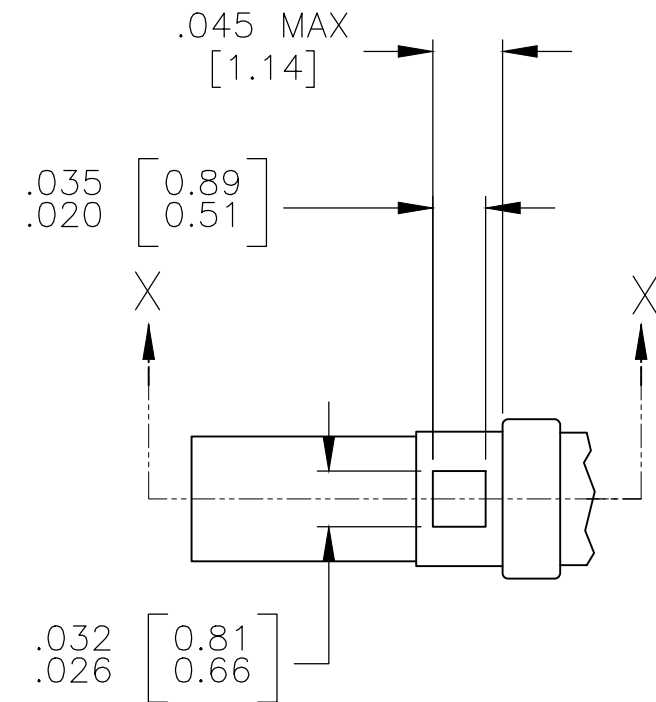
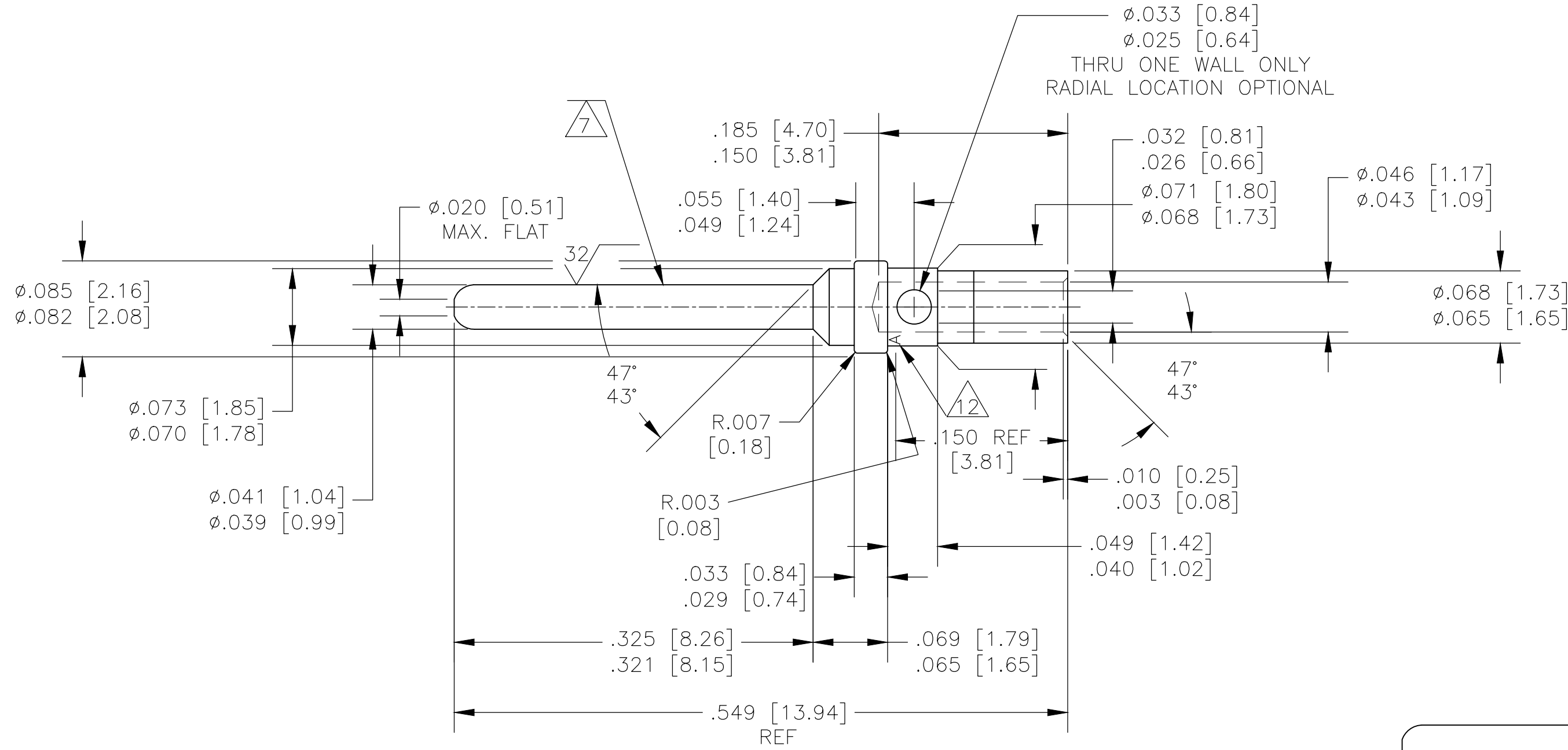


P	LTR	DESCRIPTION	DATE	DWN	APVD
	AB	REV PER ECO 20-007904	11-25-20	CT	DM

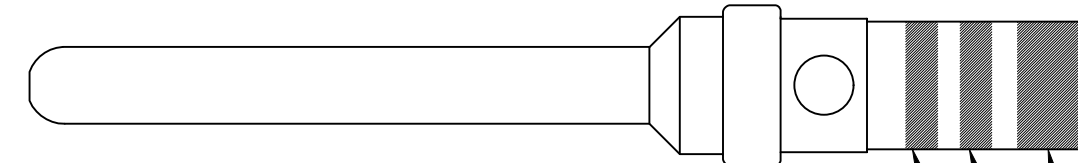
WHEN ORDERING CONTACT ON TAPE, ORDER BY THE TAPE NUMBER PLUS THE PACKAGING CODE AS FOLLOWS:

- 2. FOR USE WITH AMP TAPETRONIC, PNEUMATIC TOOL-
  - A. 1000 PARTS TO A BOX ADD PACKAGING CODE: 1MBOX
- 3. FOR USE WITH 4/8 INDENT STRIPPER CRIMP-
  - A. 1000 PARTS TO A REEL ADD PACKAGING CODE: 1MREEL
  - B. 5000 PARTS TO A REEL ADD PACKAGING CODE: 5MREEL

- 1 MATERIAL: COPPER ALLOY PER MIL-C-39029 & MIL-DTL-24308.
- 2 ALL DIMENSIONS APPLY AFTER PLATING.
- 3 ---
- 4 ALL DIAMETERS CONCENTRIC WITH EACH OTHER WITHIN .004 T.I.R.
- 5 PIN MATES WITH SOCKET 205090 (AS 39029/63).
- 6 ALL SURFACES HAVE  $\sqrt{63}$  OR BETTER FINISH, UNLESS SHOWN.
- 7 POINT OF PLATING MEASUREMENT .188 [4.78] FROM TIP OF PIN.
- 8 PLATING: GOLD PER ASTM-B-488 (TYPE II) OVER NICKEL PER AMS-QQ-N-290.
- 9 PLATING: GOLD PER ASTM-B-488 (TYPE II) OVER COPPER PER AMS 2418, .000050 MIN THK.
- 10 PLATING: GOLD PER ASTM-B-488 (TYPE II, CLASS 0) OVER NICKEL PER AMS-QQ-N-290.
- 11 PLATING:
  - MATING AREA: GOLD PER ASTM-B-488 (TYPE II) OVER NICKEL PER AMS-QQ-N-290.
  - NON MATING AREA: GOLD PER ASTM-B-488 OVER NICKEL PER AMS-QQ-N-290.
- 12 MANUFACTURER'S LOGO ("A" OR "- . .') LOCATION OPTIONAL
- 13 CONTACTS QUALIFIED TO AS39029/64-369
- 14 CONTACTS QUALIFIED TO GSFC-S-311-P-4/10, NASA P/N G-10-P1
- 15 RESTRICTED PART NUMBER.
- 16 CONTACTS MUST MEET DIMENSIONAL & PERFORMANCE REQUIREMENTS OF GSFC-S-311-P-4/08, NASA P/N G-10-P1 & 100% RESIDUAL MAGNETISM.



INSPECTION WINDOW OPTIONAL DESIGN



COLOR BANDS  
PART NO 205089-1  
AND 2-205089-1 ONLY

- ORANGE COLOR CODE BAND
- BLUE COLOR CODE BAND
- WHITE COLOR CODE BAND

16	WITHOUT COLOR CODE	9	2-205089-6
15			2-205089-4
15			2-205089-2
15			2-205089-1
13	WITHOUT COLOR CODE	8	1-205089-1
13	WITHOUT COLOR CODE	10	1-205089-0
14	WITHOUT COLOR CODE	9	205089-4
13	CONTACT ON TAPE	SAME AS -1	205089-2
13	AS SHOWN	11	205089-1
	DESCRIPTION	PLATING	PART NO.

THIS DRAWING IS A CONTROLLED DOCUMENT.		DWN	J. KAISER	25AUG2003	<b>TE</b> TE Connectivity			
DIMENSIONS: INCHES [mm]		CHK	D. MILLER	10-13-03				
TOLERANCES UNLESS OTHERWISE SPECIFIED:		APVD	D. MILLER	10-13-03	PIN SIZE 20 CONTACT, AMPLIMITE			
0 PLC ± -		PRODUCT SPEC						
1 PLC ± -		APPLICATION SPEC			SIZE	CAGE CODE	DRAWING NO	RESTRICTED TO
2 PLC ± -								
3 PLC ± -					WEIGHT	0.000000		A2 00779 C=205089
4 PLC ± -					CUSTOMER DRAWING	SCALE	10:1	SHEET 1 OF 1
ANGLES ± -								REV AB
FINISH								
MATERIAL								
1								

单击下面可查看定价，库存，交付和生命周期等信息

[>>TE Connectivity\(泰科\)](#)