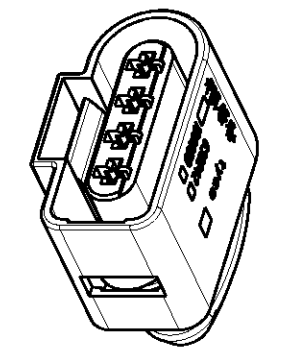
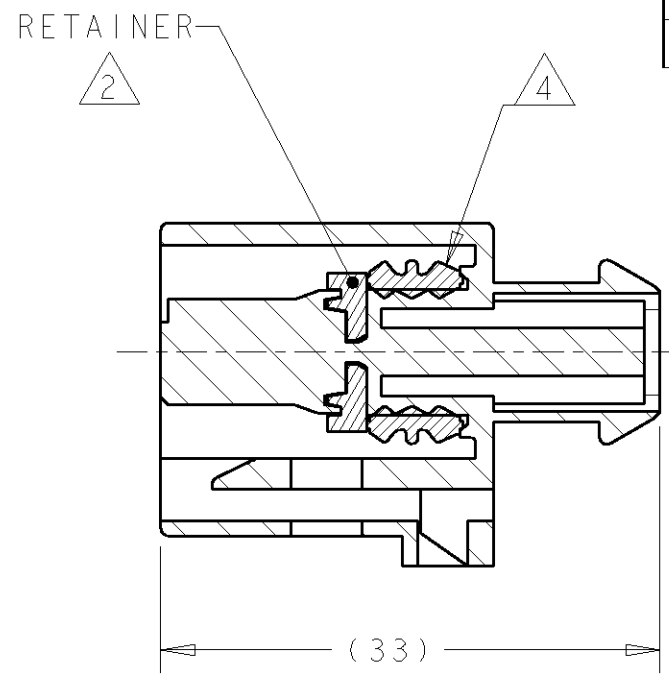
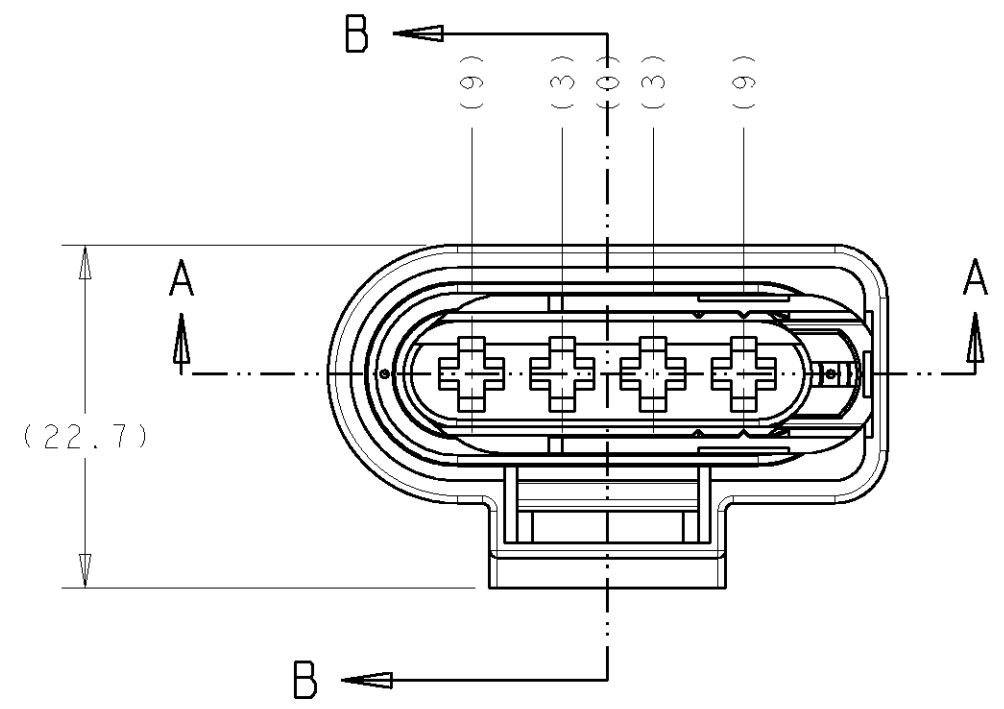
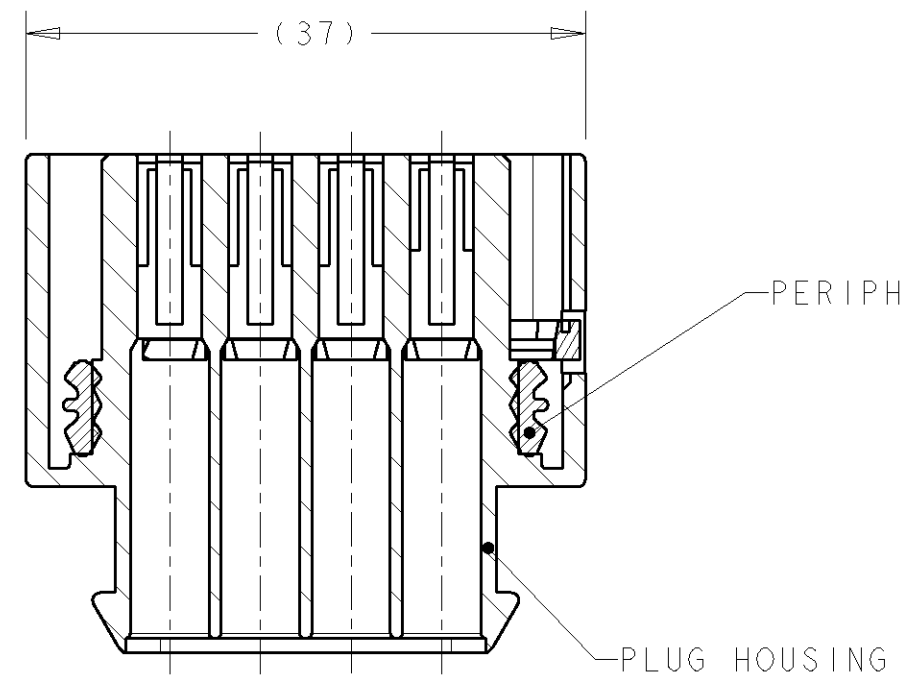


THIS DRAWING IS UNPUBLISHED. RELEASED FOR PUBLICATION 20
 © COPYRIGHT 20 BY TYCO ELECTRONICS CORPORATION. ALL RIGHTS RESERVED.

LOC	DIST	REVISIONS				
P	LTR	DESCRIPTION	DATE	DWN	APVD	
GE	00					
		E	REVISED PER ECO-08-004643	28FEB2008	AH DC	



SCALE 1:1



- 1 THE RETAINER IS ASSEMBLED INTO THE PLUG HOUSING IN THE FIRST DETENT POSITION (OPEN POSITION).
- 2 PLUG HOUSING: PBT, 15% GLASS-FILLED, BLACK
 RETAINER: PBT, 15% GLASS-FILLED, RED
 PERIPHERAL SEAL: SILICONE ELASTOMER, COLOR, SEE TABLE
- 3. TYPE A JPT TERMINALS AND INDIVIDUAL WIRE SEALS SOLD SEPARATELY. SEE PRINT 1355047 FOR TERMINAL DETAILS.
- 4 SEAL MAY BE INSERTED IN EITHER DIRECTION. ORIENTATION OF SEAL DOES NOT AFFECT SEALABILITY.

30 DUROMETER	BLUE	638245-2
50 DUROMETER	GREEN	638245-1
PERIPHERAL SEAL	COLOR	PART NUMBER

<small>THIS DRAWING IS A CONTROLLED DOCUMENT FOR TYCO ELECTRONICS CORPORATION IT IS SUBJECT TO CHANGE AND THE CONTROLLING ENGINEERING ORGANIZATION SHOULD BE CONTACTED FOR THE LATEST REVISION.</small>		DWN MD BROWN 05OCT2001 CHK MD BROWN 05OCT2001 APVD MD BROWN 05OCT2001		Tyco Electronics Harrisburg, PA 17105-3608	
DIMENSIONS: mm		TOLERANCES UNLESS OTHERWISE SPECIFIED: 0 PLC ±- 1 PLC ±.3 2 PLC ±.10 3 PLC ±- 4 PLC ±- ANGLES ±5°		NAME RECEPTACLE ASSEMBLY, 4 POSITION RADIAL SEALED, JPT	
MATERIAL 2		FINISH -		PRODUCT SPEC - APPLICATION SPEC - WEIGHT -	
CUSTOMER DRAWING				SIZE A3 CAGE CODE 00779 DRAWING NO C-638245 RESTRICTED TO -	
SCALE 2:1				SHEET 1 OF 1 REV E	

单击下面可查看定价，库存，交付和生命周期等信息

[>>TE Connectivity\(泰科\)](#)