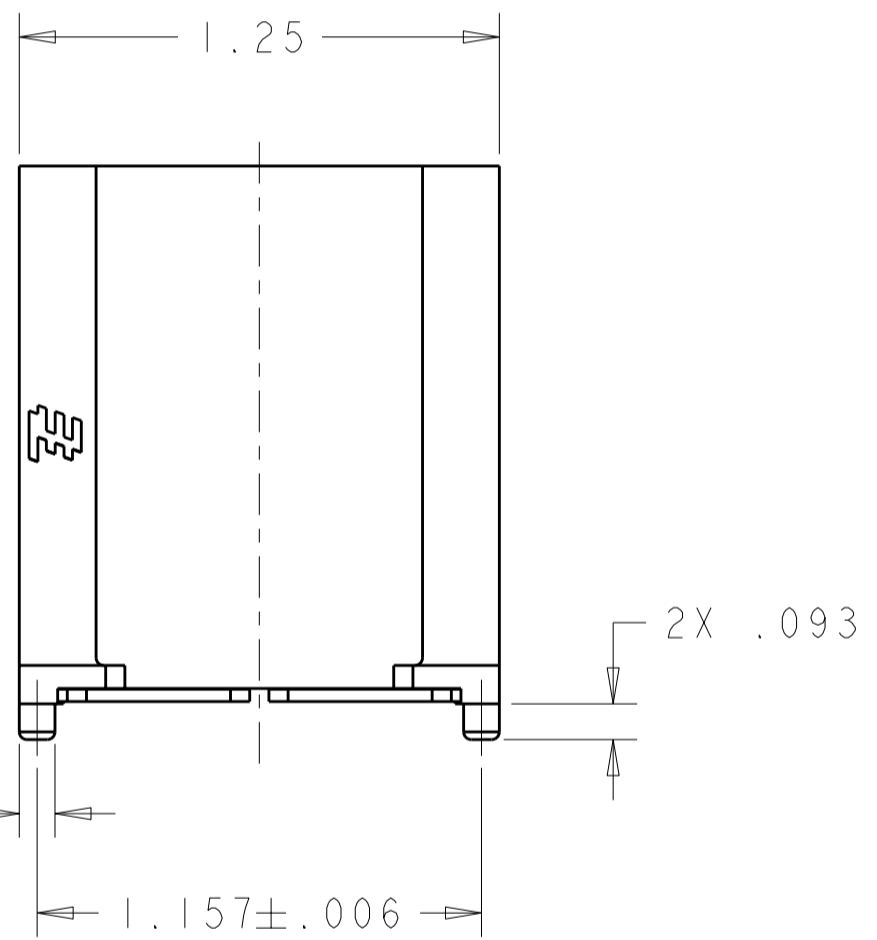
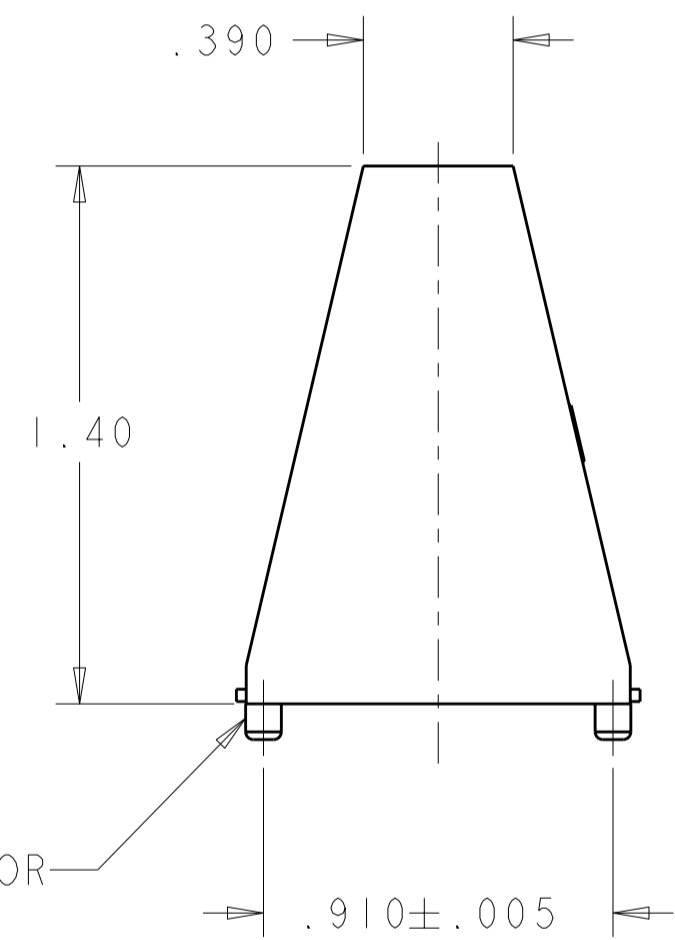
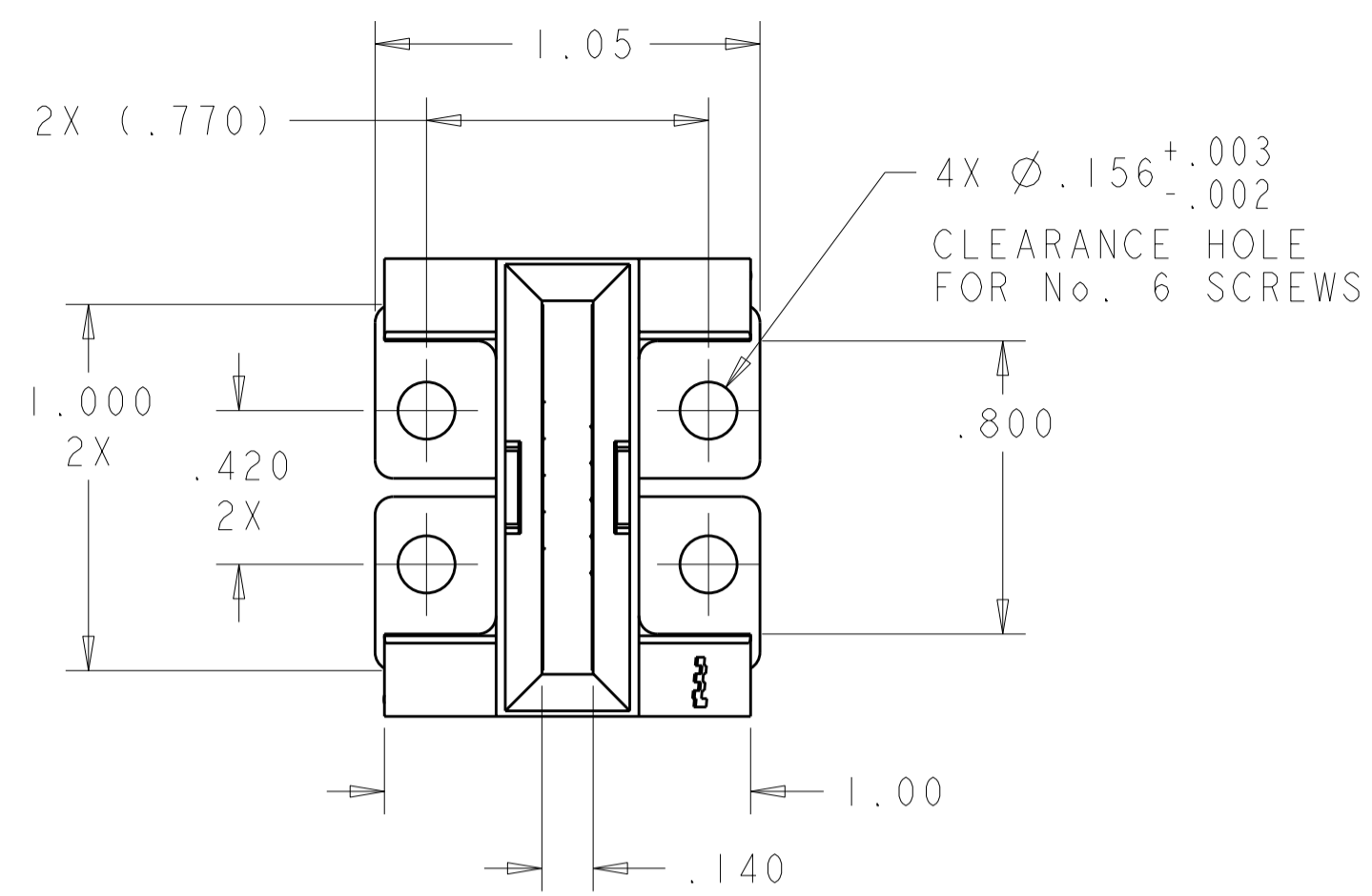


THIS DRAWING IS UNPUBLISHED. RELEASED FOR PUBLICATION 20
 © COPYRIGHT 20 BY TYCO ELECTRONICS CORPORATION. ALL RIGHTS RESERVED.

LOC		DIST		REVISIONS			
P	LTR	DESCRIPTION	DATE	DWN	APVD		
GP	00	A	RELEASED	24FEB2009	RG	PD	
		B	REV PER ECO-09-008703	16APR2009	RG	DO	



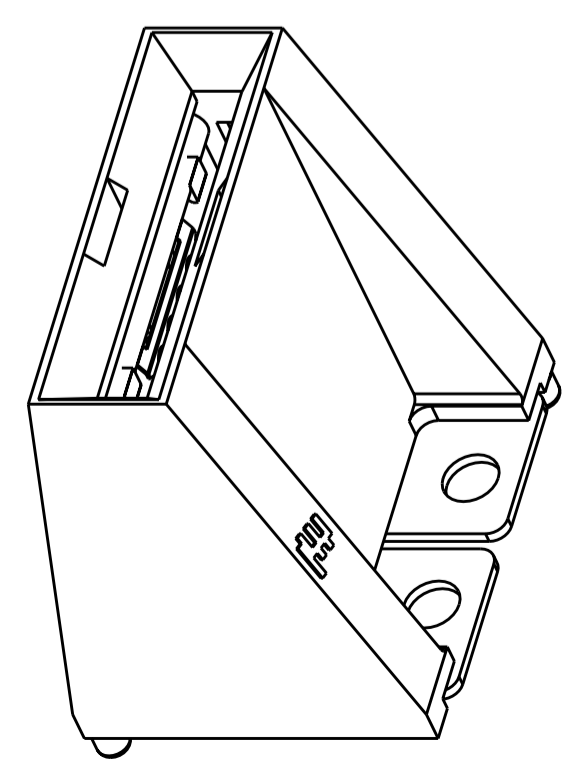
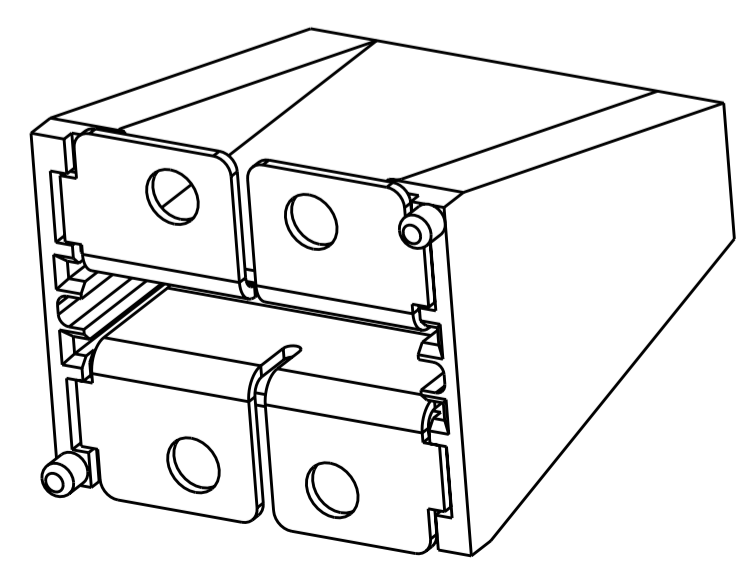
1. PART NUMBER CHANGES AND OR DESIGN CHANGES AFFECTING ITEM INTERCHANGEABILITY REQUIRE PRIOR TYCO ELECTRONICS APPROVAL AND AUTHORIZATION BY REVISION TO THIS DRAWING.

2. MATERIAL:
 INSULATOR - THERMOPLASTIC, GLASS REINFORCED, COLOR: BLACK, UL 94V-0 FLAMMABILITY RATED.
 CROWN HOLDER - COPPER ALLOY
 CROWN BAND - COPPER ALLOY

3. FINISH:
 CROWN BAND - GOLD PLATE .000030 MIN THK OVER NICKEL .000050 MIN THK.
 CROWN BAND HOLDER - GOLD FLASH .000010 MIN THK. NICKEL .000050 MIN THK.

4. ITEMS PROVIDED TO THIS SPECIFICATION TO BE PERMANENTLY PERMANENTLY IDENTIFIED ON THE CONTAINER PER THE FOLLOWING IDENTIFIER LABEL:

TYCO ELECTRONICS P/N DATE CODE (e.g. 0106)
 XXXXXXXX-X YEAR WEEK
 XXXX

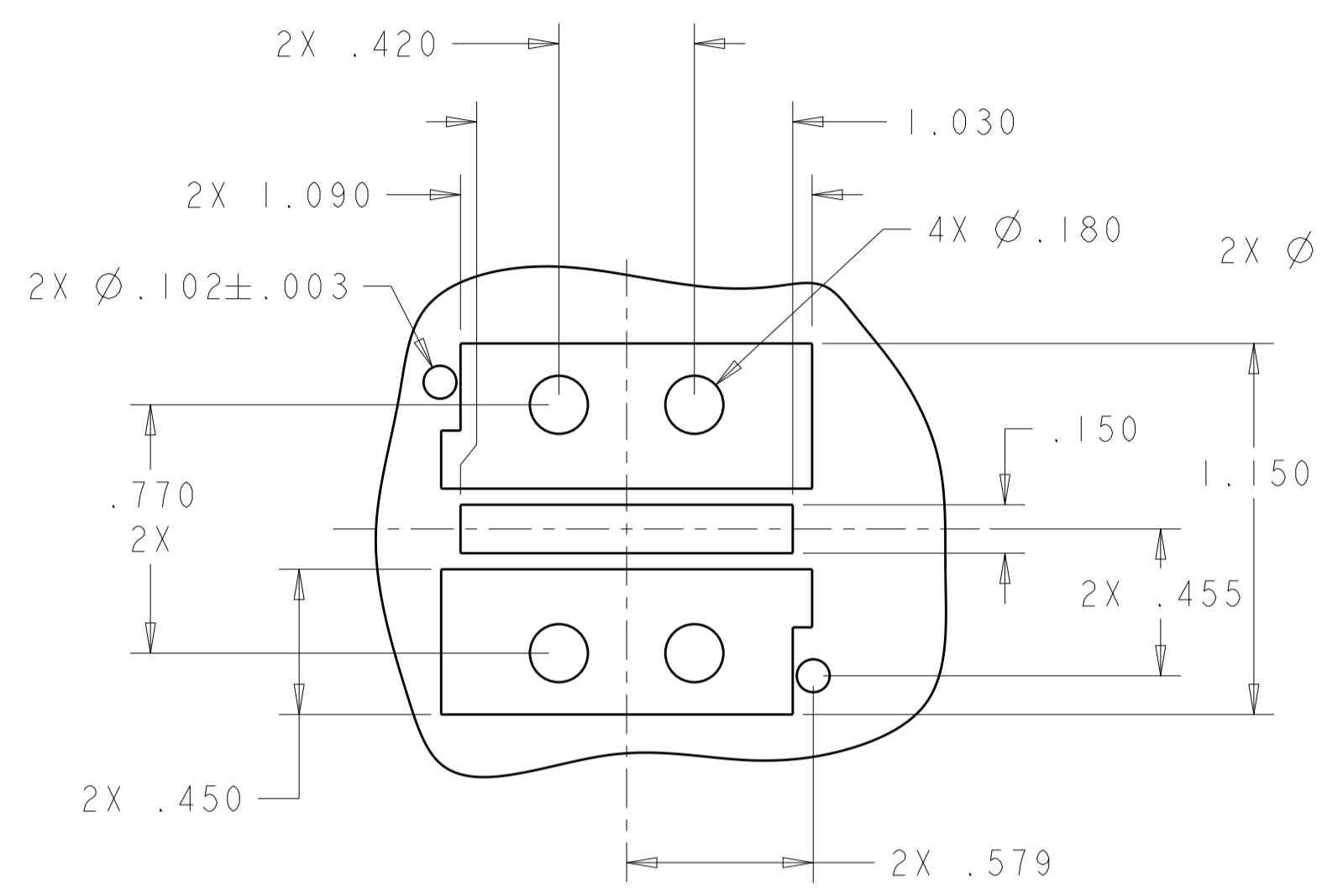


THIS DRAWING IS A CONTROLLED DOCUMENT FOR TYCO ELECTRONICS CORPORATION. IT IS SUBJECT TO CHANGE AND THE CONTROLLING ENGINEERING ORGANIZATION SHOULD BE CONTACTED FOR THE LATEST REVISION.		DWN	28 JAN 2008	R. GRZYBOWSKI
DIMENSIONS: INCHES		CHK	28 JAN 2008	S. FLICKINGER
TOLERANCES UNLESS OTHERWISE SPECIFIED:		APVD	28 JAN 2008	S. FLICKINGER
0 PLC	±	PRODUCT SPEC		
1 PLC	±	APPLICATION SPEC		
2 PLC	±.01	WEIGHT		
3 PLC	±.010	CUSTOMER DRAWING		
4 PLC	±	SCALE 2:1		
ANGLES	±2	SHEET 1 OF 2		
FINISH	3	REV B		

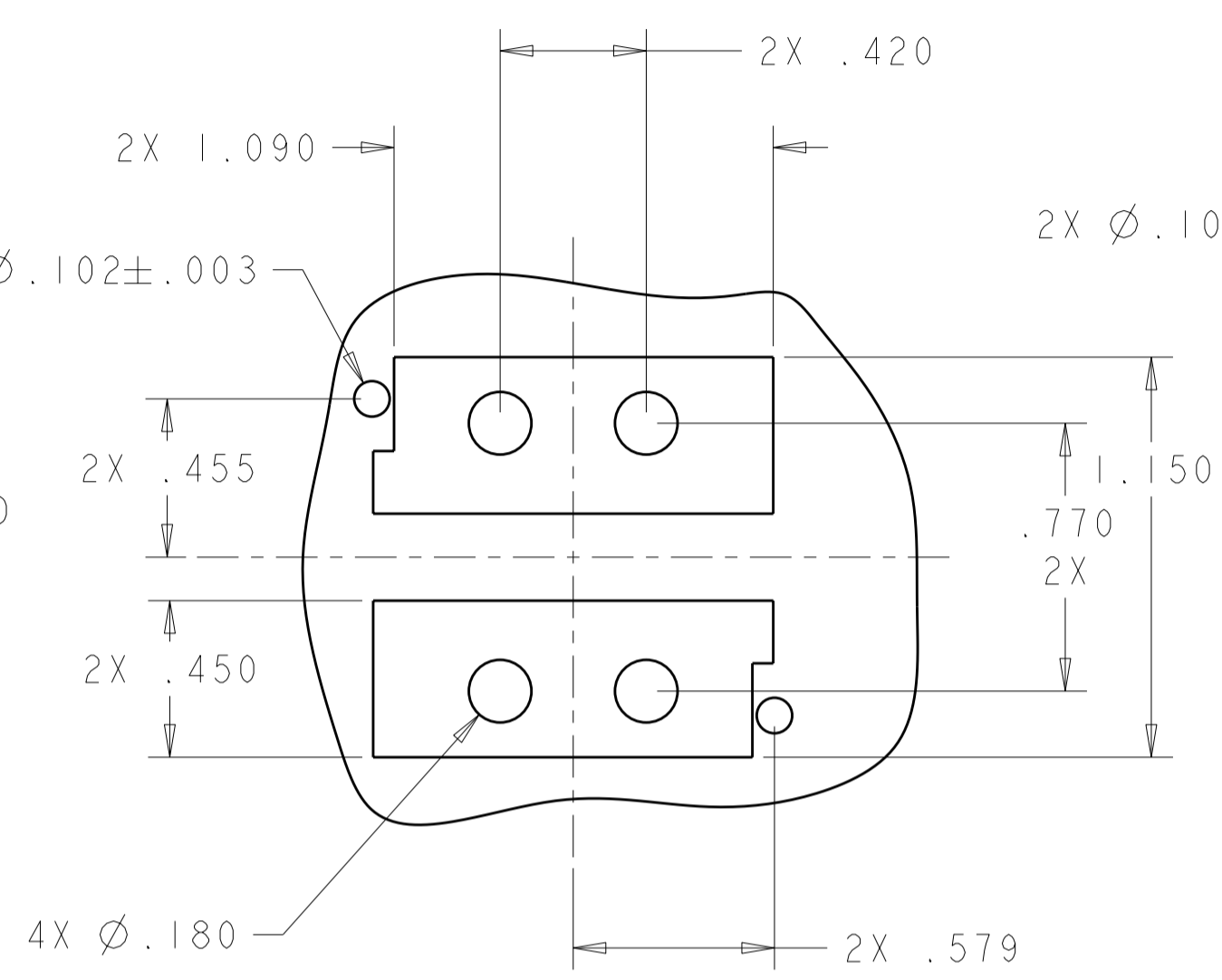
AS SHOWN	1926671-1
DESCRIPTION	PART NO.
Tyco Electronics Harrisburg, PA 17105-3608	
NAME: DUAL CROWN CLIP No. 6 MOUNTING CLIP WITH LOCATOR	
SIZE	CAGE CODE
A200779	C-1926671

THIS DRAWING IS UNPUBLISHED. RELEASED FOR PUBLICATION 20
 © COPYRIGHT 20 BY TYCO ELECTRONICS CORPORATION. ALL RIGHTS RESERVED.

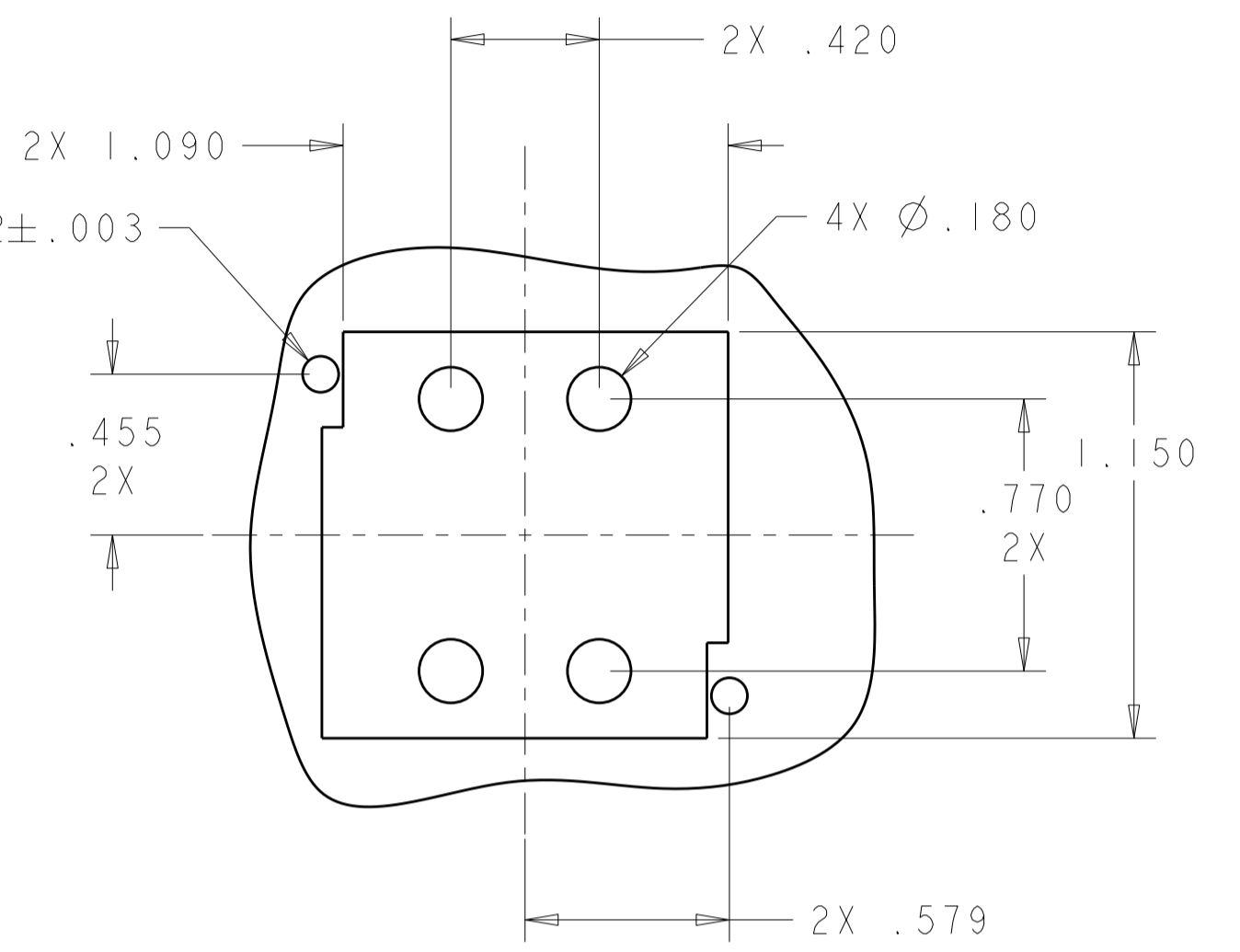
LOC	DIST	REVISIONS			
P	LTR	DESCRIPTION	DATE	DWN	APVD
GP	00	-	SEE SHEET 1	-	-



BOTTOM FEED THRU

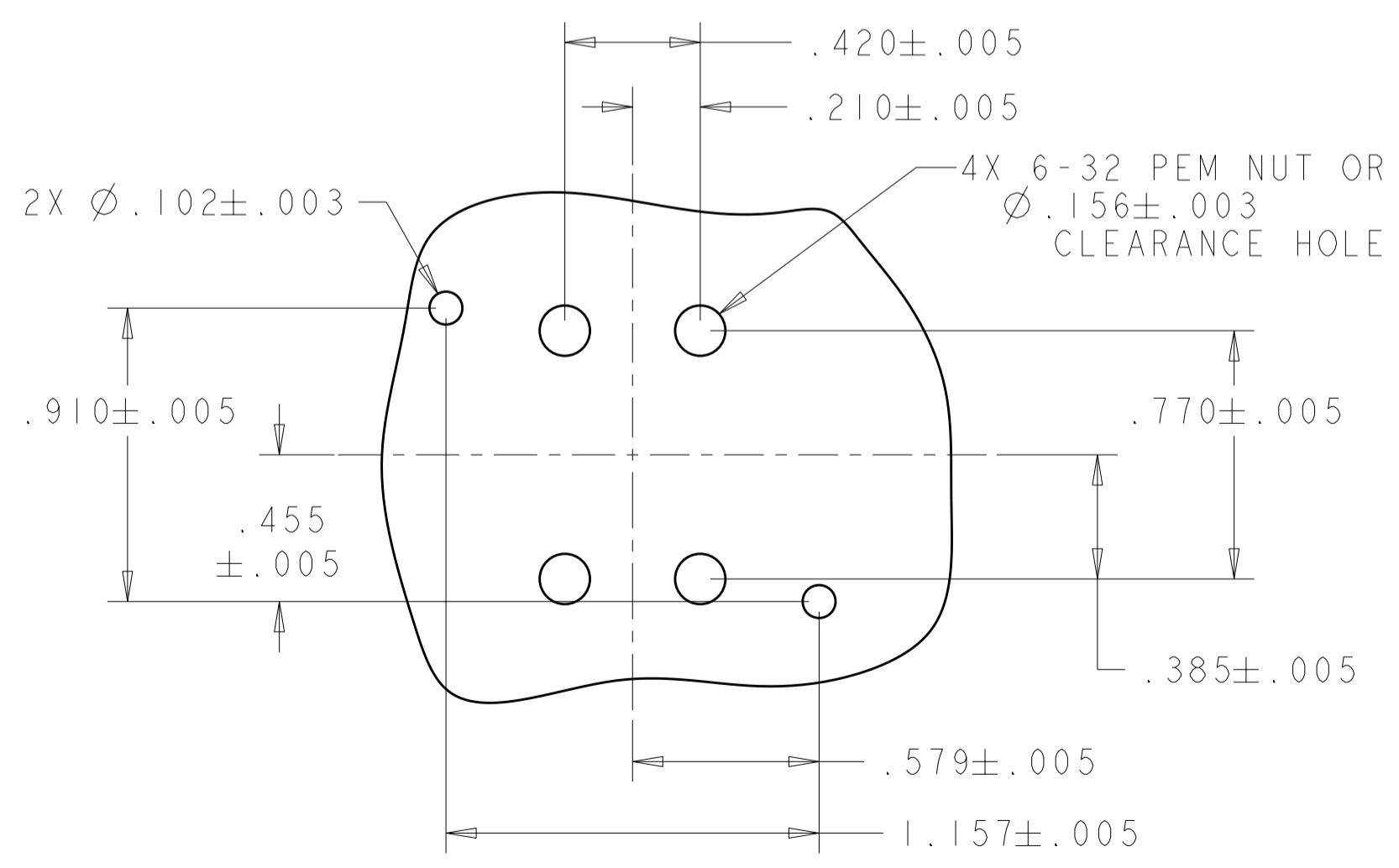


SINGLE POLE



DOUBLE POLE

PRINTED CIRCUIT BOARD LAYOUT
 COMPONENT SIDE



BUSBAR LAYOUT
 DOUBLE POLE

<small>THIS DRAWING IS A CONTROLLED DOCUMENT FOR TYCO ELECTRONICS CORPORATION. IT IS SUBJECT TO CHANGE AND THE CONTROLLING ENGINEERING ORGANIZATION SHOULD BE CONTACTED FOR THE LATEST REVISION.</small>		DWN 28 JAN 2008 R. GRZYBOWSKI CHK 28 JAN 2008 S. FLICKINGER APVD 28 JAN 2008 S. FLICKINGER	Tyco Electronics Harrisburg, PA 17105-3608
DIMENSIONS: INCHES	TOLERANCES UNLESS OTHERWISE SPECIFIED: 0 PLC ± 1 PLC ± 2 PLC ±.01 3 PLC ±.010 4 PLC ± ANGLES ±2 FINISH	PRODUCT SPEC APPLICATION SPEC WEIGHT CUSTOMER DRAWING	NAME DUAL CROWN CLIP No. 6 MOUNTING CLIP WITH LOCATOR SIZE CAGE CODE DRAWING NO RESTRICTED TO A200779 C-1926671
SCALE 2:1		SHEET 2 OF 2	REV B

单击下面可查看定价，库存，交付和生命周期等信息

[>>TE Connectivity\(泰科\)](#)