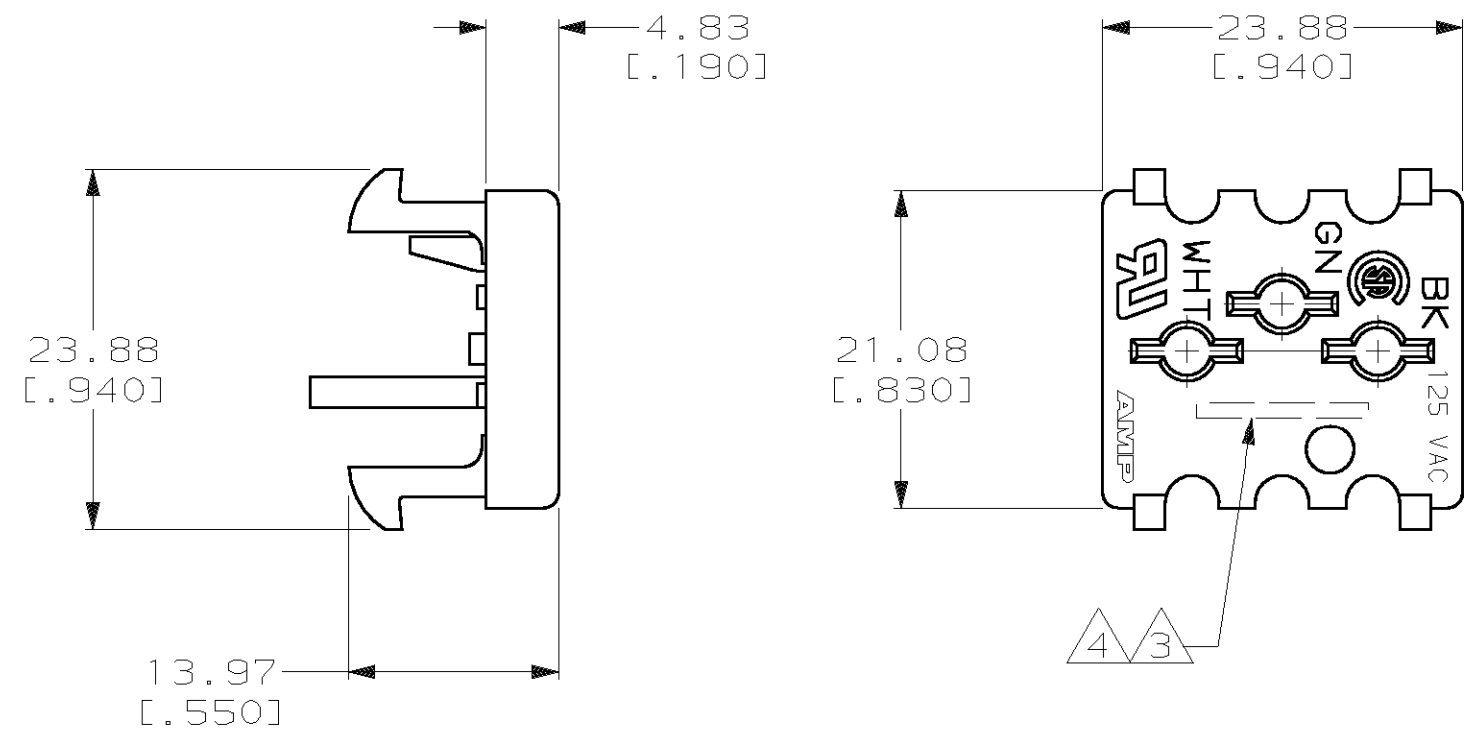


THIS DRAWING IS UNPUBLISHED. RELEASED FOR PUBLICATION, 19 .
 © COPYRIGHT 19 BY AMP INCORPORATED. ALL INTERNATIONAL RIGHTS RESERVED.

LOC	DIST	P	F	ZONE	LTR	DESCRIPTION	DATE	APPD
BD	39				01	ADDED -3 NPR 4908, WAS 93-4957-003-1 REDRAWN ON CAD	08/24/93	-
					A	REV PER EC0020-540-94	06/06/94	ATC
					B	OBSOLETE -3 PER EC 0020-1427-94	01/26/95	ATC
					C	REV PER EC 0G1C-69-99	27 JUL 99	RE
					D	REV PER 0G3B-0240-99	13JAN00	DAB



- ① NYLON, BLACK, UL 94V-2 RATED.
- ② NYLON, FLAME RETARDANT, BLACK, UL 94V-0 RATED.
- ③ WIRE AND RATING IN THIS AREA: "12 AND 14 AWG-15A".
- ④ WIRE AND RATING IN THIS AREA: "18 AWG-10A" AND 16 AWG-13A.

OBSOLETE	③	②	211110-3
	④	①	211110-2
	③	①	211110-1
	WIRE AND RATING	MATERIAL	PART NO
DO NOT SCALE PRINT. UNLESS SPECIFIED DIMENSIONS IN mm [INCHES] TOLERANCES ON: 2 PLC DEC ± 0.25 [.010] 3 PLC DEC ± - ANGLES ± -	DR 08/24/93 D.GELTZ CHK 08/26/93 R.STONE APPD 08/27/93 T.COULSON APPD 08/30/93 C.ROHDE PRODUCT SPEC -	AMP Incorporated Harrisburg, PA 17105-3608 NAME COVER, CONVENIENCE OUTLET, SPECIAL	
MATERIAL SEE TABLE	FINISH -	SIZE B	CAGE CODE 00779
		DRAWING NO C-211110	
		SCALE 2:1	SHEET 1 OF 1

THIS DRAWING IS A CONTROLLED DOCUMENT FOR AMP INCORPORATED. IT IS SUBJECT TO CHANGE AND THE CONTROLLING ENGINEERING ORGANIZATION SHOULD BE CONTACTED FOR THE LATEST REVISION.

单击下面可查看定价，库存，交付和生命周期等信息

[>>TE Connectivity\(泰科\)](#)