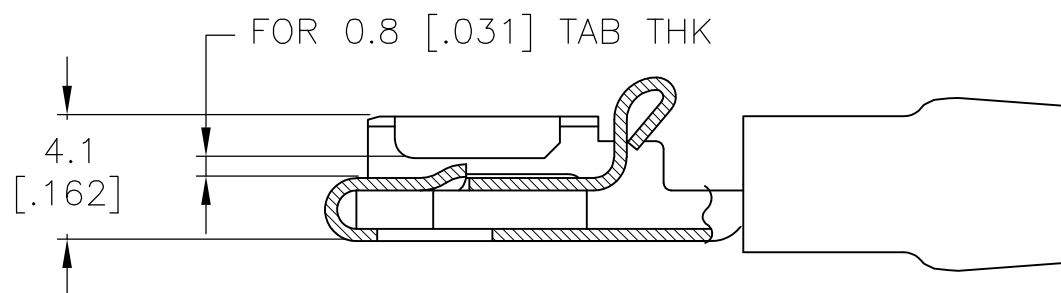
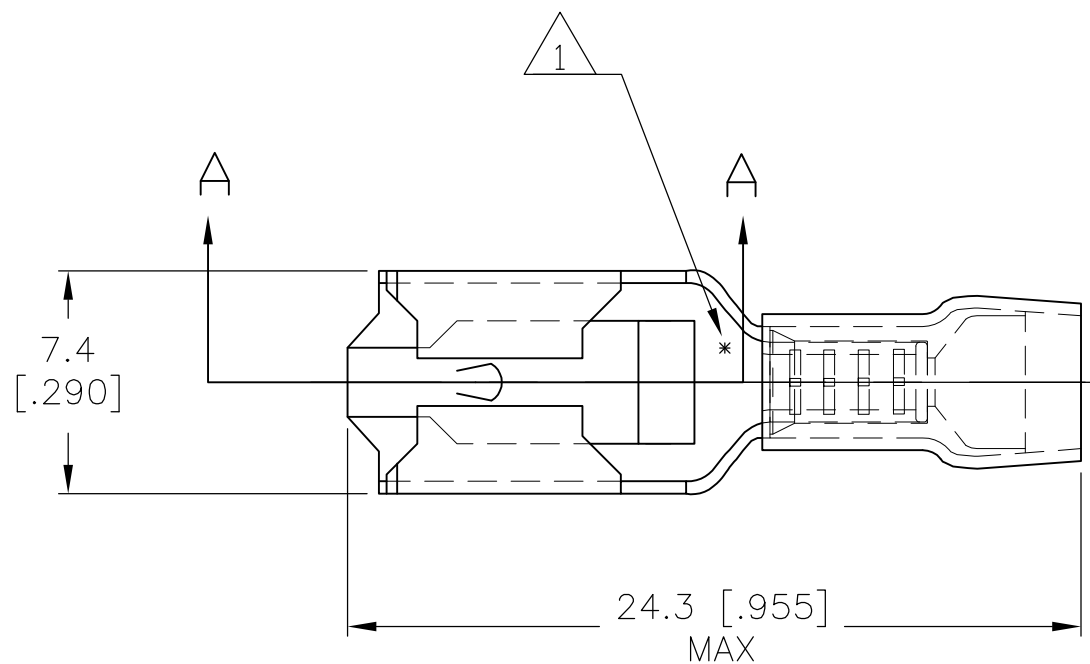


THIS DRAWING IS UNPUBLISHED. RELEASED FOR PUBLICATION

© COPYRIGHT - By - ALL RIGHTS RESERVED.

| LOC | DIST | REVISIONS | | | | | |
|-----|------|-----------|-----|---------------------------|---------|-----|------|
| | | P | LTR | DESCRIPTION | DATE | DWN | APVD |
| G | 02 | | E5 | REVISED PER ECO-12-016518 | 13SEP12 | KH | DR |



SECTION A-A

- △1 ASTERISK * FOR PHOS BRONZE ITEMS ONLY.
- △2 TAPE-MOUNTED VERSION OF 165536-1
- △3 BODY - BRASS PER ASTM B36
SLEEVE - COPPER PER ASTM B152
INSULATION - NYLON
- △4 BODY - TIN PLATE PER ASTM B545
SLEEVE - TIN PLATE PER ASTM B545
INSULATION - COLOR - BLUE
- 5 90°C MAX OPERATING TEMP
- 6 300 VOLT MAX
- 7 NOTE DELETED.

| | | | |
|----|------------|----------------|------------|
| △2 | TIN PLATED | BRASS | 2-165536-2 |
| | TIN PLATED | PHOS BRONZE △1 | 165536-2 |
| | TIN PLATED | BRASS | 165536-1 |
| | FINISH | MATERIAL | PART No. |

| | | | | | | | | | | | | | | | | | | | |
|---|---------------|---------------------------------|--|-------|------------------|-------|--------------|-----------------|---------------|-------|-----|--------|------|-------------------|-----------------------|------------|--------------------|------------------------|--------------------|
| THIS DRAWING IS A CONTROLLED DOCUMENT. | | DWN jr_ruth 15JAN07 | STE TE Connectivity | | | | | | | | | | | | | | | | |
| DIMENSIONS: mm [INCHES] | | CHK T MICHELUTTI 15JAN07 | | | | | | | | | | | | | | | | | |
| TOLERANCES UNLESS OTHERWISE SPECIFIED: | | APVD T MICHELUTTI 15JAN07 | NAME RECEPTACLE, 6.35 [.250] SERIES, POSITIVE-LOCK, PIDG, WIRE SIZE: 1.5-2.5MM2 | | | | | | | | | | | | | | | | |
| <table border="0"> <tr><td>0 PLC</td><td>± -</td></tr> <tr><td>1 PLC</td><td>± -</td></tr> <tr><td>2 PLC</td><td>± -</td></tr> <tr><td>3 PLC</td><td>± 0.25 [.010]</td></tr> <tr><td>4 PLC</td><td>± -</td></tr> <tr><td>ANGLES</td><td>± 5°</td></tr> </table> | | 0 PLC | ± - | 1 PLC | ± - | 2 PLC | ± - | 3 PLC | ± 0.25 [.010] | 4 PLC | ± - | ANGLES | ± 5° | PRODUCT SPEC - | APPLICATION SPEC - | SIZE A3 | CAGE CODE 00779 | DRAWING NO C-165536 | RESTRICTED TO - |
| 0 PLC | ± - | | | | | | | | | | | | | | | | | | |
| 1 PLC | ± - | | | | | | | | | | | | | | | | | | |
| 2 PLC | ± - | | | | | | | | | | | | | | | | | | |
| 3 PLC | ± 0.25 [.010] | | | | | | | | | | | | | | | | | | |
| 4 PLC | ± - | | | | | | | | | | | | | | | | | | |
| ANGLES | ± 5° | | | | | | | | | | | | | | | | | | |
| MATERIAL △3 | | FINISH △4 | WEIGHT - | | CUSTOMER DRAWING | | SCALE 4:1 | SHEET 1 OF 1 | REV E5 | | | | | | | | | | |

单击下面可查看定价，库存，交付和生命周期等信息

[>>TE Connectivity\(泰科\)](#)