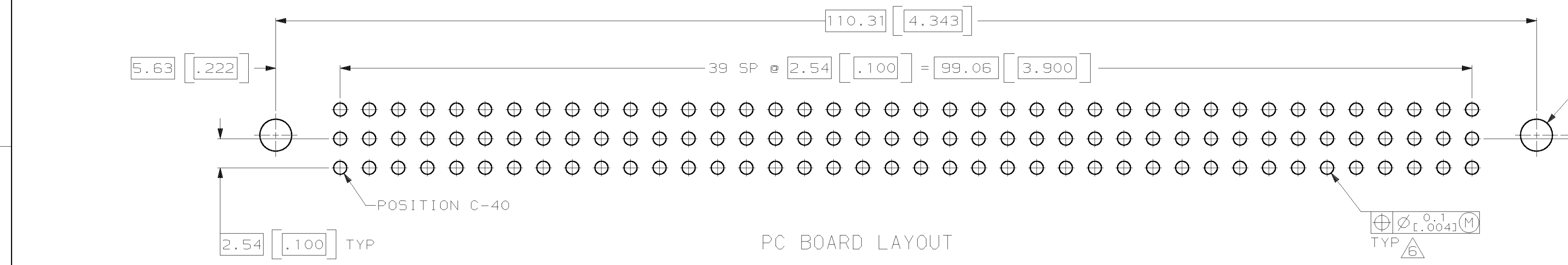
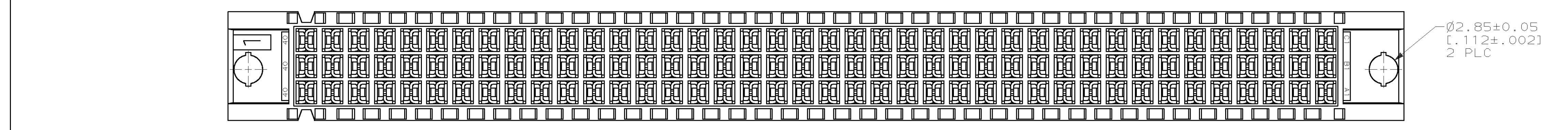
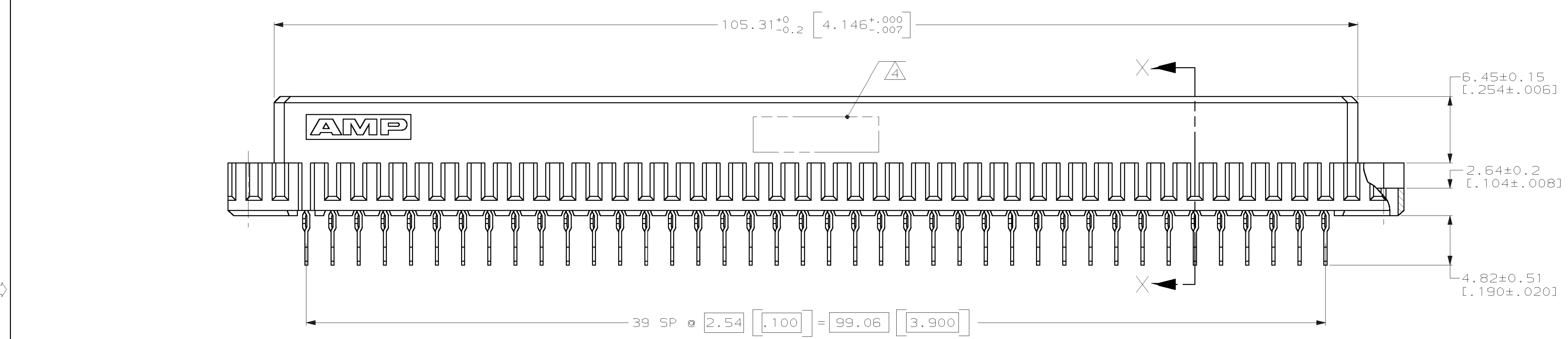
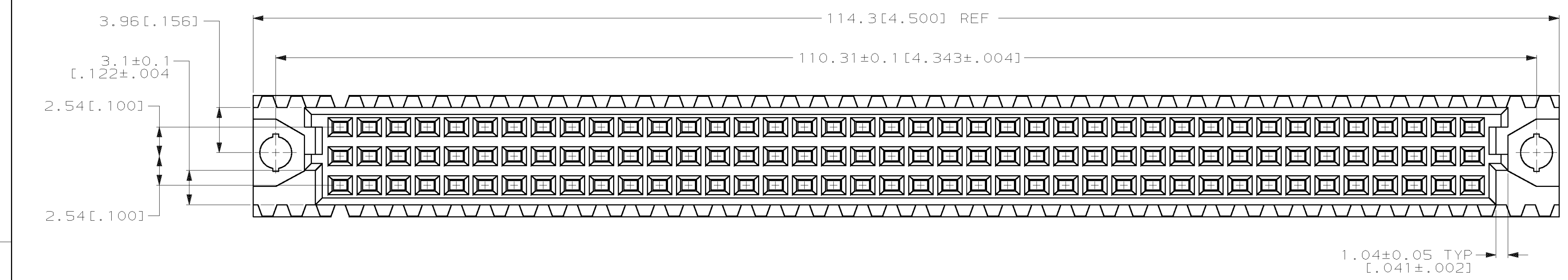
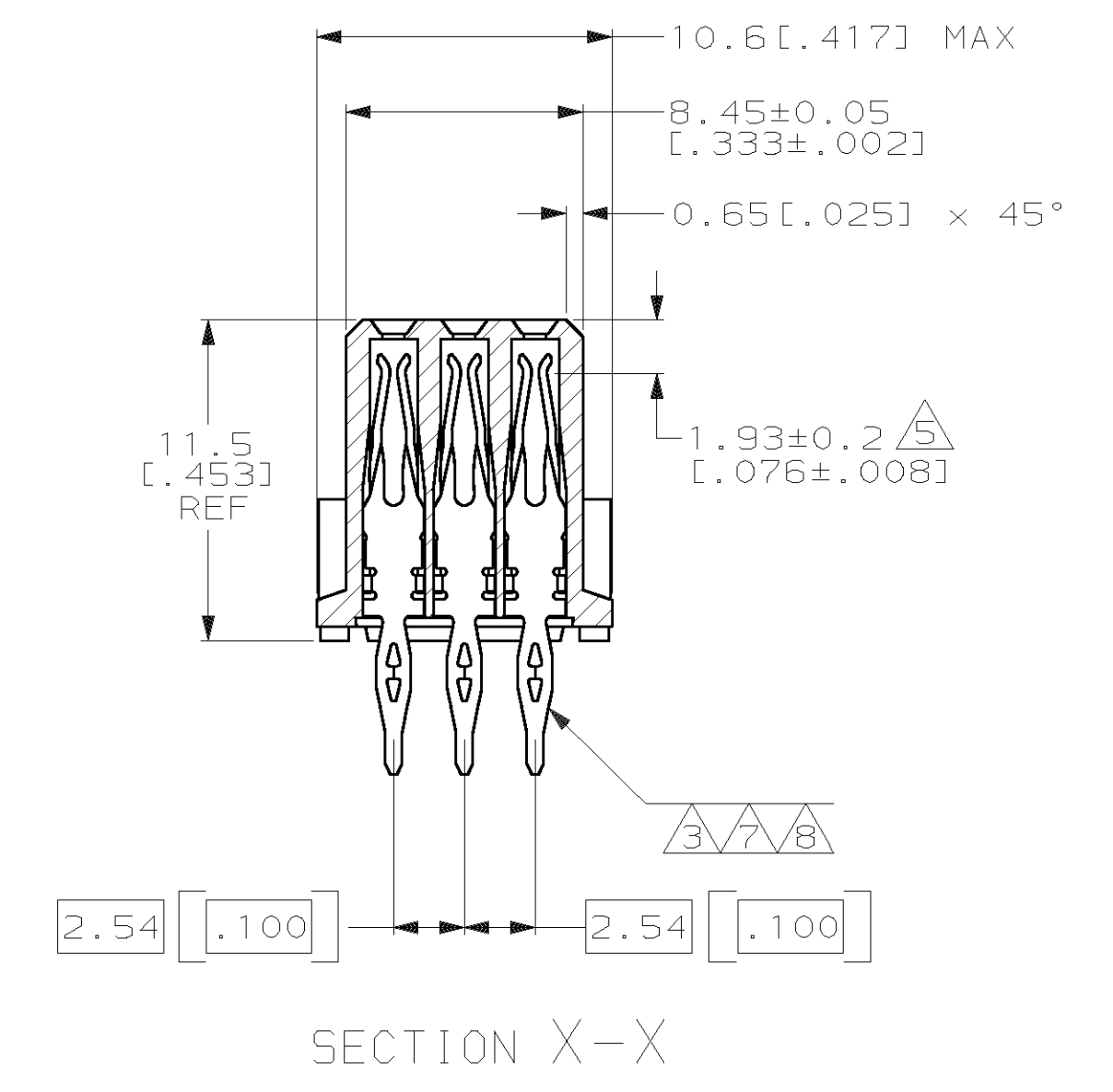


LOC	DIST	P	F	ZONE	LTR	DESCRIPTION	DATE	APPD
AD	25				E	EC 0010-1434-95	1/18/96	RAP
					F	EC 0010-1486-95	4/1/96	CR
					G	REV PER EC OUTB-0367-00	04 JAN 01	CR



- △1 HOUSING MATERIAL: GLASS-FILLED POLYESTER. COLOR: GRAY.
- △2 CONTACT MATERIAL: PHOSPHOR BRONZE.
- △3 CONTACT FINISH: 0.00076[.000030] GOLD IN CONTACT AREA. 0.00127[.000050] NICKEL UNDERPLATE ALL OVER. TIN-LEAD ON POSTS.
- △4 PART NUMBER, DATE CODE IDENTIFICATION, CSA LOGO IN THIS APPROXIMATE AREA.
- △5 POINT OF MEASUREMENT FOR GOLD.
- △6 ACTION PIN POSTS REQUIRE 1.57[.062] MIN THICK PC BOARD. RECOMMENDED PC BOARD HOLES ARE Ø1.151±0.02[.0453±.001] DRILLED HOLE WITH 0.02-0.07[.001-.003] COPPER AND 0.008[.0003] MIN TIN-LEAD PLATING. FINISHED HOLE AFTER PLATING, Ø0.94-1.09[.037-.043].
- △7 CONTACT FINISH: DIN 41612 CLASS 3 IN CONTACT AREA. 0.00127[.000050] NICKEL UNDERPLATE ALL OVER. TIN-LEAD ON TAILS.
- △8 CONTACT FINISH: DIN 41612 CLASS 2 IN CONTACT AREA. 0.00127[.000050] NICKEL UNDERPLATE ALL OVER. TIN-LEAD ON TAILS.



NOTES	POSITIONS LOADED	C	B	A	NO. OF LOADED POSITION	ASSY PART NUMBER	
OBSELETE	7	1 THRU 40	X	X	X	120	535079-9
	8	1 THRU 40	X	X	X	120	535079-5
SUPERSEDED BY 535079-5	3	1 THRU 40	X	X	X	120	535079-4

DR	CHK	APPD	NAME	FINISH	APPLICATION SPEC	SIZE	FSCM NO	DRAWING NO
L. BRINER	J. BROWN	J. BROWN	J. BROWN	CONT	-	D	00779	535079
MATERIAL			PRODUCT SPEC	WEIGHT		SCALE	SHEET	
HSG △1			J. BROWN	-		4:1	1 OF 1	
CONT △2			-	-		CUSTOMER DRAWING		

单击下面可查看定价，库存，交付和生命周期等信息

[>>TE Connectivity\(泰科\)](#)