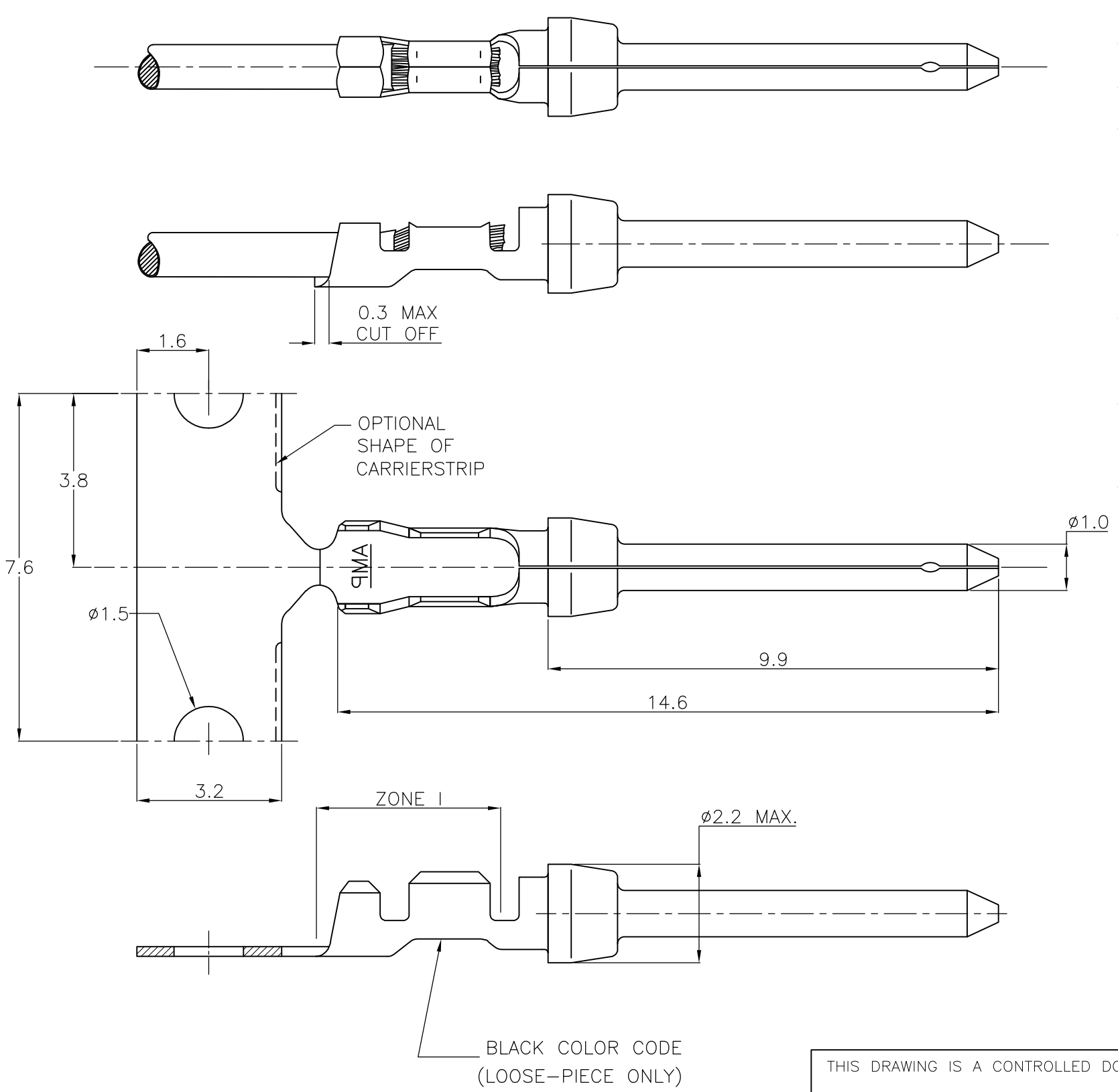


THIS DRAWING IS UNPUBLISHED. RELEASED FOR PUBLICATION  
 © COPYRIGHT - By - ALL RIGHTS RESERVED.

LOC	DIST	REVISIONS			
P	LTR	DESCRIPTION	DATE	DWN	APVD
GP	00	U	REDRAWN PER ECO-11-022158	08NOV2011	CJV CWR



- 1 FOR MINI-APPLICATOR CRIMPING.
- 2 FOR STANDARD APPLICATOR CRIMPING.
- 3 FOR REEL-FEED HANDTOOL CRIMPING, 500 CONTACTS ON A SMALL REEL.
- 4. MATERIAL: BRASS.
- 5 UNDERCOATING: 1.3µm NICKEL. SELECTIVE: 0.8µm GOLD. REMAINDER: GOLD FLASH.
- 6 UNDERCOATING: 1.3µm NICKEL. SELECTIVE: 0.8µm GOLD. ZONE 1: BRIGHT TIN.
- 7 UNDERCOATING: 0.8µm NICKEL. SELECTIVE: 0.4µm GOLD. REMAINDER: GOLD FLASH.
- 8 UNDERCOATING: 0.8µm NICKEL. SELECTIVE: 0.4µm GOLD. ZONE 1: BRIGHT TIN.
- 9 UNDERCOATING: 1.3µm NICKEL. SELECTIVE: 1.3µm GOLD. REMAINDER: GOLD FLASH.
- 10 UNDERCOATING: 0.8µm NICKEL. SELECTIVE: GOLD FLASH (0.1µm) OVER 6.0 LENGTH FROM TIP. ZONE 1: BRIGHT TIN.
- 11 UNDERCOATING: 0.8µm NICKEL. SELECTIVE: 0.2µm GOLD. REMAINDER: GOLD FLASH.
- 12 UNDERCOATING: 0.8µm NICKEL. SELECTIVE: 0.2µm GOLD. ZONE 1: BRIGHT TIN.
- 13 OBSOLETE PARTS: OBSOLETE CIS STREAMLINING PER D. RENAUD/ D. SINISI

13	12	1-166997-3	-	-	1-166995-3
13	11	1-166997-2	-	-	1-166995-2
13	10	166997-8	-	-	166995-8
13	9	166997-7	-	-	166995-7
13	8	166997-6	-	-	166995-6
13	7	166997-5	-	-	166995-5
13	6	166997-3	-	-	166995-3
13	5	166997-2	-	-	166995-2
FINISH	LOOSE PIECE	PART NUMBER	3	PART NUMBER	2
		PART NUMBER	1		

WIRE RANGE: 28-32 AWG(0.03-0.09mm<sup>2</sup>)  
 INSUL. RANGE: 0.5 - 1.02 mm DIA.

THIS DRAWING IS A CONTROLLED DOCUMENT.

DWN	C. VALENTINE	08NOV2011
CHK	C. ROHDE	08NOV2011
APVD	C. ROHDE	08NOV2011
PRODUCT SPEC	108-40005	
APPLICATION SPEC	114-10000	
WEIGHT	-	

**STE** TE Connectivity

PIN CONTACT, SIZE 20 DF.

SIZE	A3	CAGE CODE	00779	DRAWING NO	C-166995	RESTRICTED TO	-
SCALE	NTS		SHEET	1 OF 1		REV	U

CUSTOMER DRAWING

单击下面可查看定价，库存，交付和生命周期等信息

[>>TE Connectivity\(泰科\)](#)