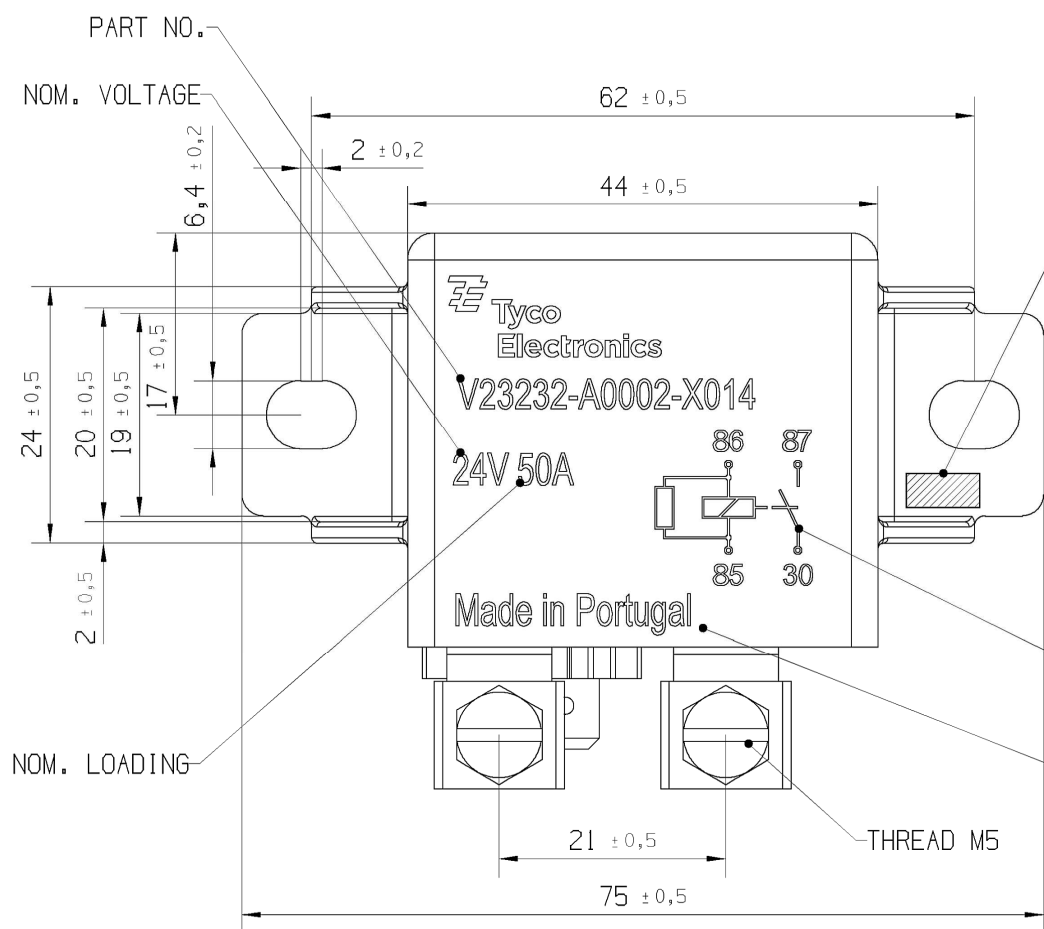
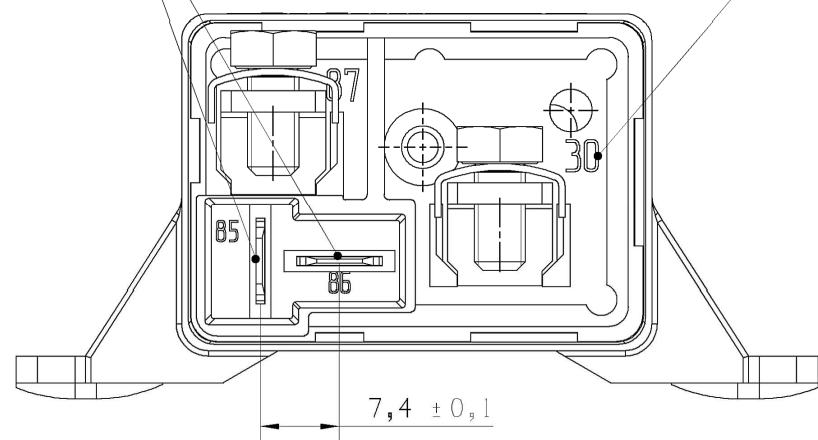
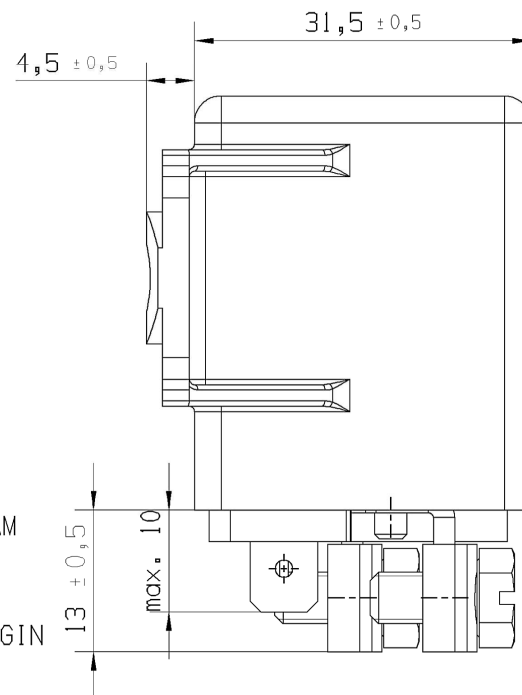


FLAT CONNECTORS 6,3 x 0,8

CONNECTOR --- NUMBER



DATE OF MANUFACTURE
OPTIONAL ON
COVER OR BASE

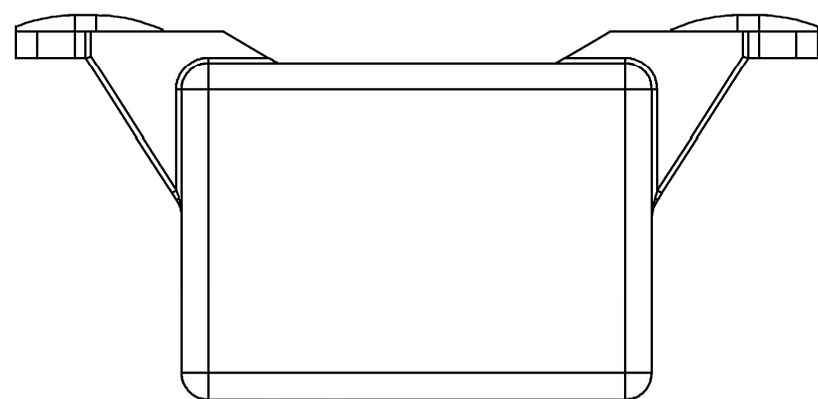


WIRE DIAGRAM
DETAIL F

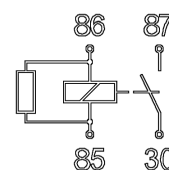
LAND OF ORIGIN

THREAD M5

NOM. LOADING



WIRE DIAGRAM



DETAIL F
SCALE 2:1

WE RESERVE THE RIGHT TO MAKE ALTERATIONS IN DESIGNATIONS

COVER AND BASE OF
POLYAMID GLASSFIBER REINFORCED, DULL BLACK

FLAT CONNECTORS 6,3x0,8 ACC. DIN 46 244
BRASS W/O PLATING SUITABLE FOR TWIN CONNECTOR
HOUSING E:G: AMP NO. 180 907


PROTECTION GROUP ACC DIN 40 050, TO PAGE 9

TERMINALS : IP00
HOUSING : IP54

TERMINALS SHALL POINT DOWNWARDS

TE P/N				PART NUMBER			
6-1904059-1				V23232-A0002-X014			
<small>PROPRIETARY</small> <small>THE REPRODUCTION, TRANSMISSION OR USE OF THIS DOCUMENT OR IT'S CONTENTS IS NOT PERMITTED WITHOUT EXPRESSED WRITTEN AUTHORITY. OFFENDERS WILL BE LIABLE FOR ALL DAMAGES. ALL RIGHTS, INCLUDING RIGHTS CREATED BY REGISTERED PATENT(S) GRANTED FOR A UTILITY MODEL OR DESIGN, ARE RESERVED.</small>				<small>CHANGES TO THIS DRAWING MUST BE DONE ONLY IN CAD</small>		<small>PAPER SIZE</small> A2	
<small>APPLICABLE SPEC. :</small>				<small>FINISH</small> <small>DIMENSIONS APPLY</small> <small>PLATING</small>			
<small>TOLERANCE UNLESS SPECIFIED OTHERWISE</small>				<small>SCALE</small> 2:1		<small>WEIGHT</small> 85g	
<small>MATERIAL</small>				<small>PART NAME</small> POWER RELAY 24V 50A			
<small>DATE</small> <small>NAME</small>		<small>DATE</small> <small>NAME</small>		<small>PART NO.</small> V23232-A0002-X014		<small>SHT.</small> 1	
<small>DWN.</small> 07Jun2012 L.Barr		<small>APP.</small>		<small>LOCATION</small> TE PE EVORA		<small>OF 2</small>	
<small>REV.</small>		<small>REV.</small>				<small>CUSTOMER DRAWING</small>	
<small>A4</small> ECO-15-010395 15JUL2015 F.Sil		<small>A3</small> ECO-15-002362 06FEB2015 F.Sil		<small>A2</small> ECO-15-000096 17JUL2014 F.Sil		<small>A1</small> ECO-14-000964 21Jan2014 L.Bar	
<small>A</small> INITIAL VERSION 07Jun2012 L.Bar		<small>REV. CHANGE ORDER</small> <small>DATE</small> <small>APP.</small>		<small>CALSS</small> 3			

TECHNICAL DATA	
Nominal voltage (load and excitation circuit)	24V
Operating voltage range	16...32 V
Permissible ambient temperature	-40...100 °C (1)
Pull in voltage	max. 17V
Drop out voltage	min. 4V
Coil Resistance	130 ± 10% Ohm
Resistor in parallel with coil	510 ± 10% Ohm
Equivalent resistance	104 ± 10% Ohm
Response time (in new condition)	max. 10 ms
Drop out time (in new condition)	max. 15 ms
Voltage drop at nominal current measured at NO-contact 30/87 when new	max 100 mv at 50A
Voltage drop at nominal current measured at NO-contact 30/87 after life test	max 200 mv at 50A
Degree of protection for housing in general	IP 54
Degree of protection for terminals in general	IP 00
Resistive Load current/cycles with a duty cycle (ON-OFF): 2s- 2s	50A min. 50.000 cycles

TE P/N				PART NUMBER			
6-1904059-1				V23232-A0002-X014			
<small>PROPRIETARY</small> THE REPRODUCTION, TRANSMISSION OR USE OF THIS DOCUMENT OR IT'S CONTENTS IS NOT PERMITTED WITHOUT EXPRESSED WRITTEN AUTHORITY. OFFENDERS WILL BE LIABLE FOR ALL DAMAGES. ALL RIGHTS, INCLUDING RIGHTS CREATED BY REGISTERED PATENT(S) GRANTED FOR A UTILITY MODEL OR DESIGN, ARE RESERVED.				CHANGES TO THIS DRAWING MUST BE DONE ONLY IN CAD		PAPER SIZE A2	
APPLICABLE SPEC. :				FINISH			
				DIMENSIONS APPLY		PLATING	
				SCALE		WEIGHT 85g	
				MATERIAL			
				PART NAME			
				DATE: 07Jun2012 NAME: L. Barr DWN. APP. REV.			
				LOCATION: TE PE EVORA			
A4 ECO-15-010395 15JUL2015 F.Sil							
A3 ECO-15-002362 02FEB2015 F.Sil							
A2 ECO-15-000096 17JUL2014 F.Sil							
A1 ECO-14-000964 21Jan2014 L.Bar							
A INITIAL VERSION 07Jun2012 L.Bar				PART NO. V23232-A0002-X014			
REV. CHANGE ORDER DATE APP.				CLASS 3			
				CUSTOMER DRAWING			
				SHT. 2 OF 2			

单击下面可查看定价，库存，交付和生命周期等信息

[>>TE Connectivity\(泰科\)](#)