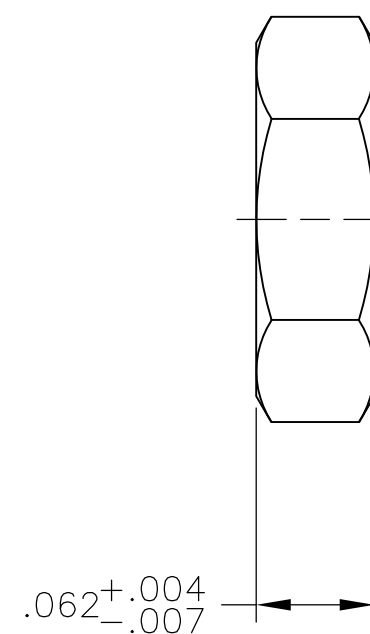
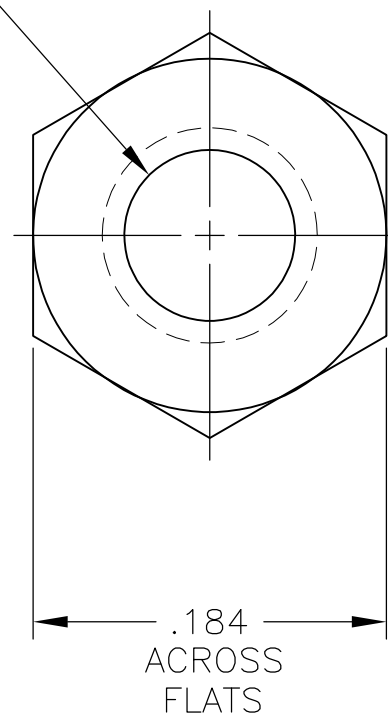


THIS DRAWING IS UNPUBLISHED. RELEASED FOR PUBLICATION  
 © COPYRIGHT BY TYCO ELECTRONICS CORPORATION. ALL INTERNATIONAL RIGHTS RESERVED.

LOC	DIST	REVISIONS					
GP	00	P	LTR	DESCRIPTION	DATE	DWN	APVD
			0	ORIGINAL	12APR2012	CJV	CWR

- ① ZINC PLATED .000200-.000400 THICK, YELLOW CHROMATE COATING.
- ② ZINC PLATED .000200-.000400 THICK, CLEAR CHROMATE COATING.

#4-40 THREAD



②	5205821-3
①	5205821-2
FINISH	PART NUMBER

THIS DRAWING IS A CONTROLLED DOCUMENT.		DWN	C. VALENTINE	12APR2010	Tyco Electronics Corporation Harrisburg, PA 17105-3608		
DIMENSIONS: INCHES		CHK	C. ROHDE	12APR2012			
		TOLERANCES UNLESS OTHERWISE SPECIFIED:		APVD	C. ROHDE		
0 PLC ± - 1 PLC ± - 2 PLC ± - 3 PLC ± .005 4 PLC ± - ANGLES ± -		PRODUCT SPEC		#4-40 HEX NUT, AMPLIMITE			
MATERIAL		FINISH		APPLICATION SPEC			RESTRICTED TO
COLD ROLLED STEEL		SEE TABLE		WEIGHT			—
CUSTOMER DRAWING				SIZE	CAGE CODE	DRAWING NO	—
				A3	00779	G-5205821	—
				SCALE	10:1	SHEET	1 OF 1
				REV	0		

单击下面可查看定价，库存，交付和生命周期等信息

[>>TE Connectivity\(泰科\)](#)