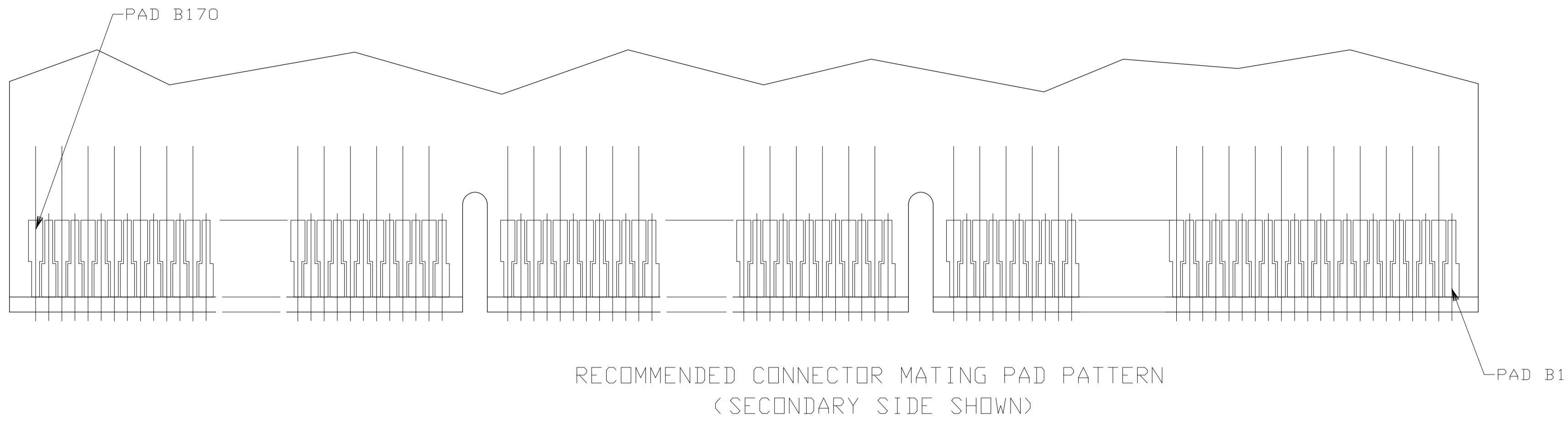
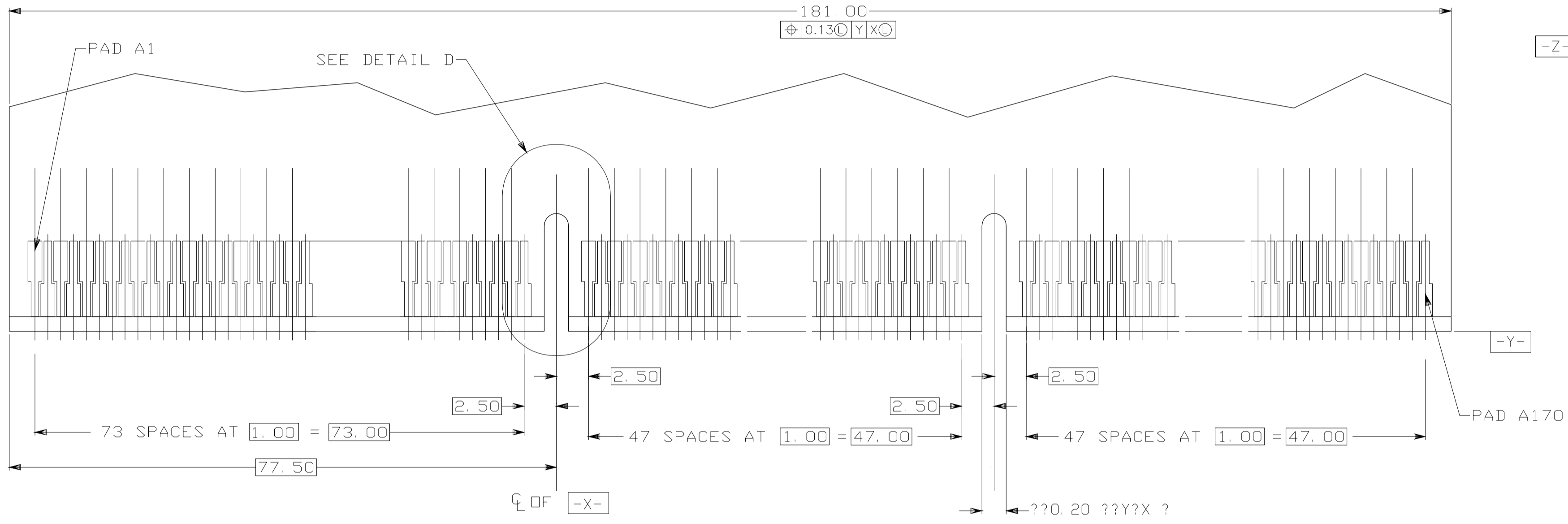


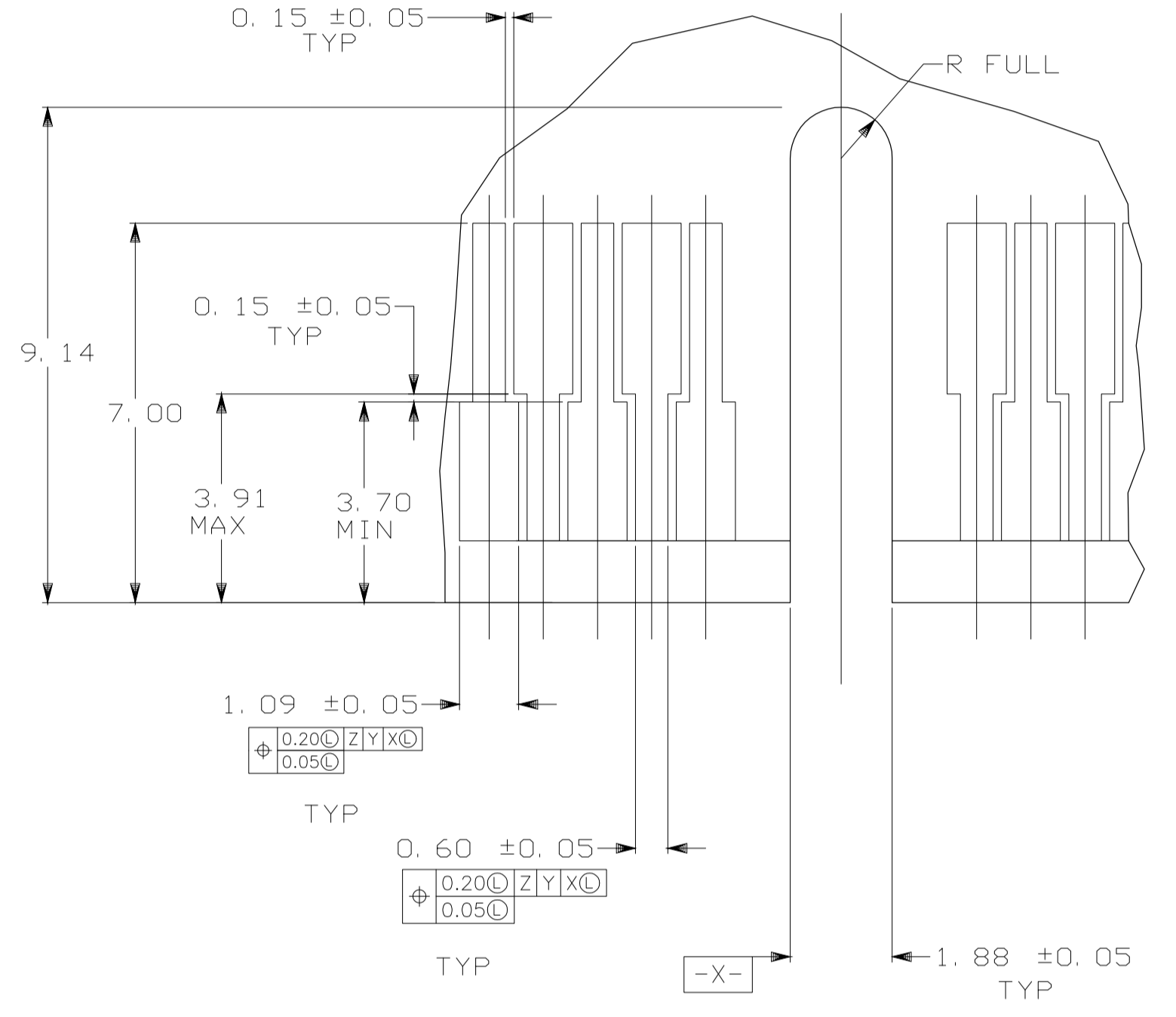
LOC		DIST		REVISIONS			
P	LTR	DESCRIPTION	DATE	DNW	APVD		
-	-	SEE SHEET 1/2	-	-	-	-	-



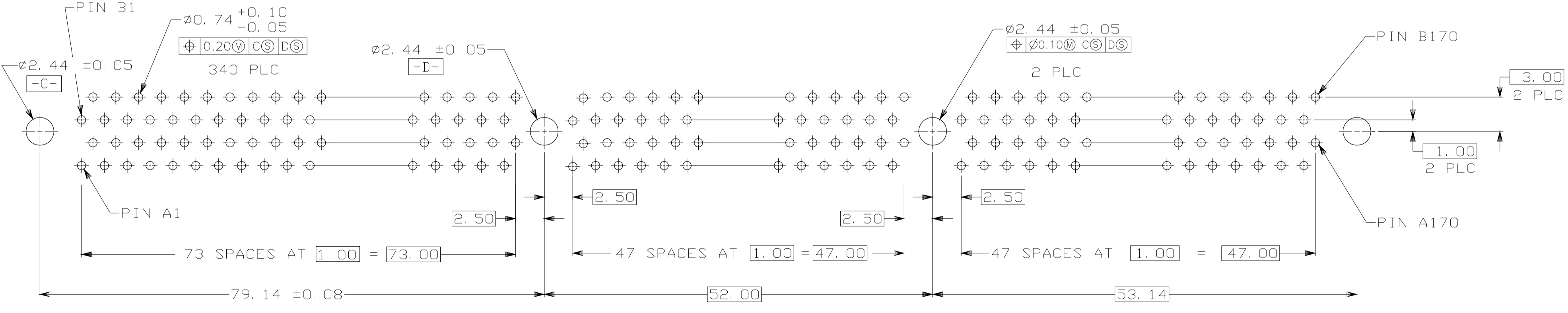
RECOMMENDED CONNECTOR MATING PAD PATTERN
 (SECONDARY SIDE SHOWN)



RECOMMENDED CONNECTOR MATING PAD PATTERN
 (PRIMARY SIDE SHOWN)



DETAIL D
 SCALE 10:1



RECOMMENDED CONNECTOR MOUNTING HOLE PATTERN
 (CONNECTOR SIDE SHOWN)

THIS DRAWING IS A CONTROLLED DOCUMENT.		DNW GAVIN ZHANG 22MAR05	Tyco Electronics Corporation Shanghai, P.R.China, 200233	
DIMENSIONS: mm		CHK STEVEN YAO 22MAR05	Tyco Electronics	
TOLERANCES UNLESS OTHERWISE SPECIFIED:		APVD IENOMOTO 22MAR05	NAME ASSEMBLY, 340 POSITION 1mm, CARD EDGE CONNECTOR	
0 PLC ± -		SIZE A1		
1 PLC ± -		CAGE CODE 00779		
2 PLC ± 0.13		DRAWING NO 5145275		
3 PLC ± -		RESTRICTED TO		
4 PLC ± -		SCALE 4:1		
ANGLES ± 2'		SHEET 2 OF 2		
MATERIAL	FINISH	WEIGHT	REV 01	
△	△ △	-	CUSTOMER DRAWING	

单击下面可查看定价，库存，交付和生命周期等信息

[>>TE Connectivity\(泰科\)](#)