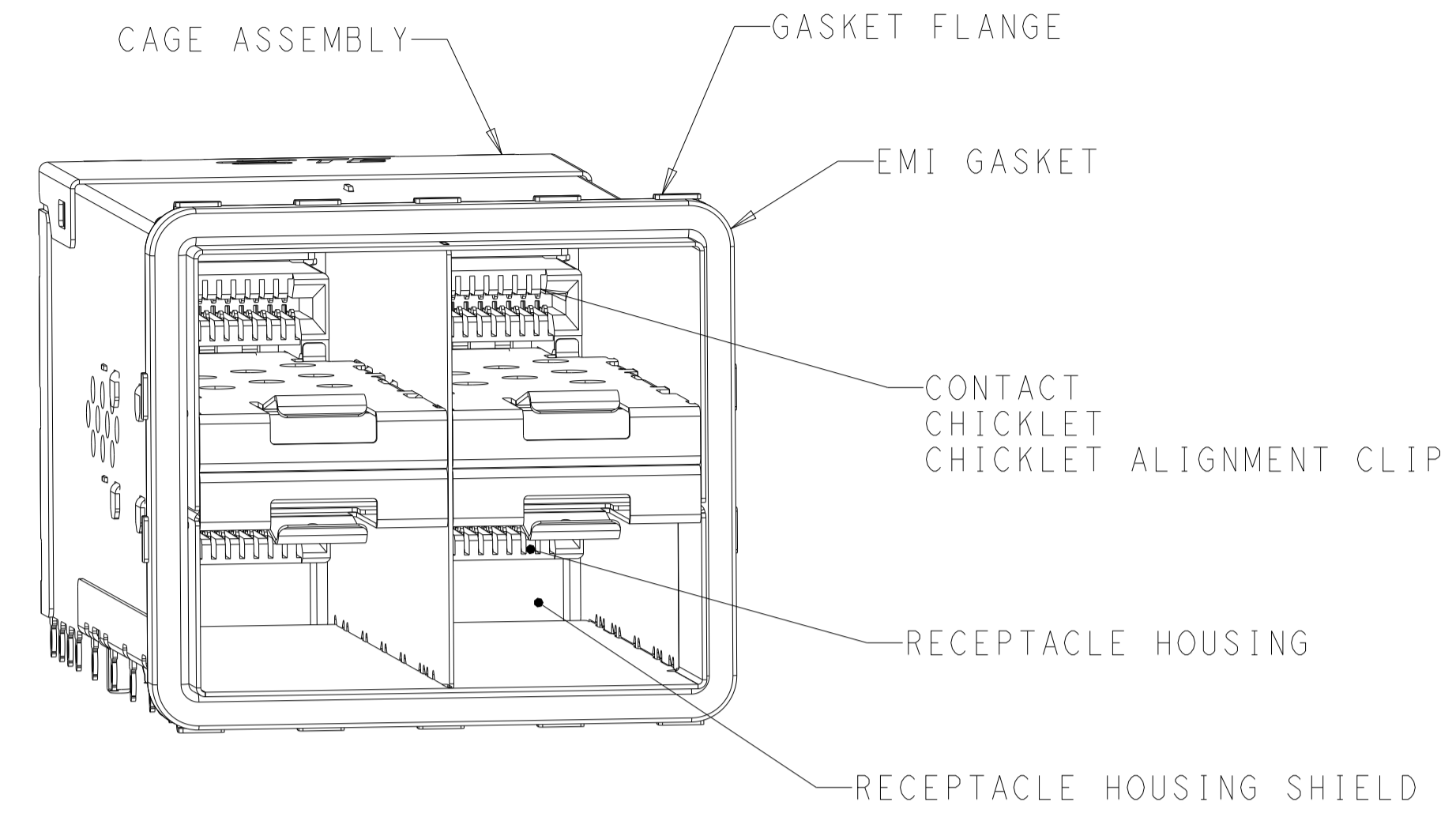
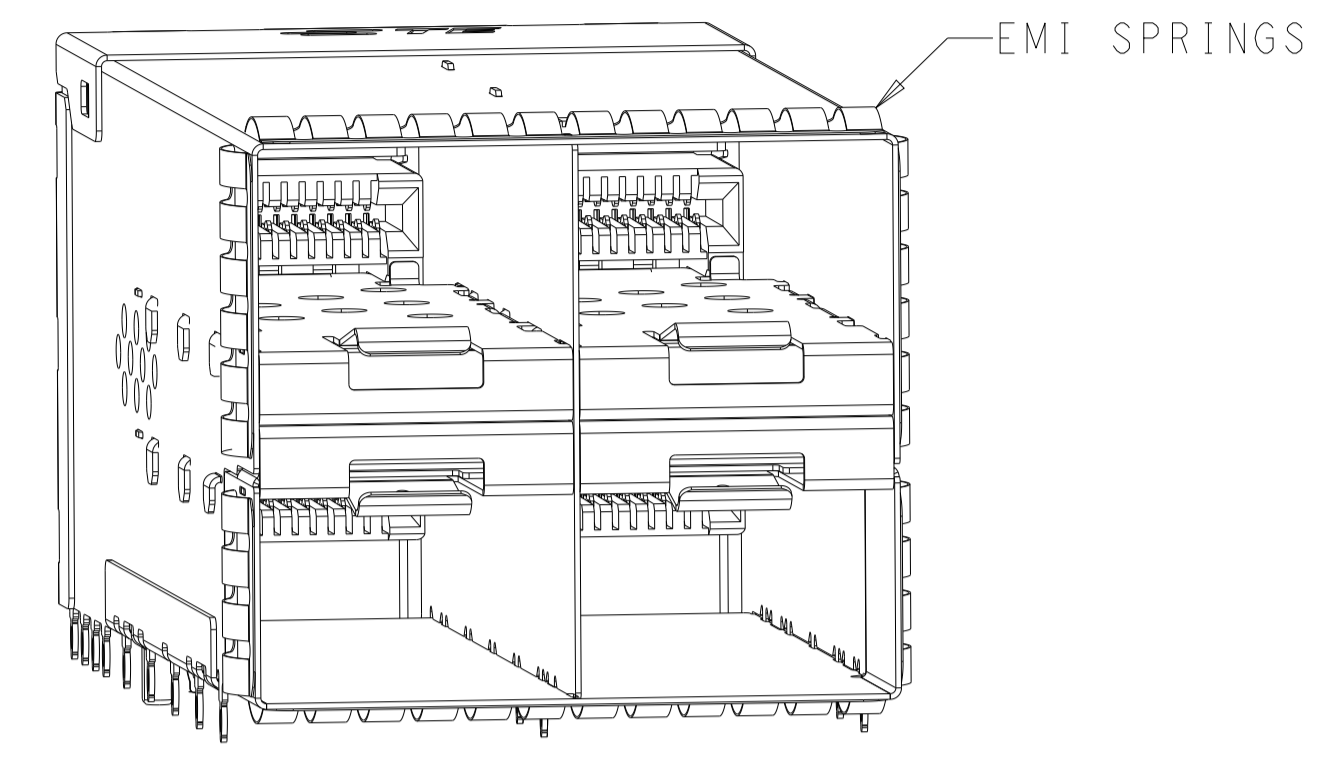


LOC	DIST	REVISIONS					
GP	00	P	LTN	DESCRIPTION	DATE	OWN	APVD
		A		RELEASED PER ECO-14-008758	13JUN2014	CJV	PAR
		B		REVISED PER ECO-15-010819	10AUG2015	PP	SH
		C1		REVISED PER ECR-21-002578	02MAR2021	SZ	SZ



2198325-1  
SCALE 3:1



2198325-5  
SCALE 3:1

- MATERIALS:  
 CAGE ASSEMBLY - NICKEL-SILVER ALLOY PER ASTM B 122  
 CONNECTOR HOUSING - LCP, BLACK, UL 94V-O RATED  
 CONNECTOR HOUSING SHIELD - COPPER ALLOY  
 CHICKLET - LCP, BLACK, UL 94V-O RATED  
 CHICKLET ALIGNMENT CLIP - PBT  
 CONTACT - COPPER ALLOY  
 EMI GASKET - ELASTOMERIC  
 GASKET FLANGE - STAINLESS STEEL  
 EMI SPRINGS - PHOSPHOR BRONZE PER ASTM B 103,  
 0.8µm MIN TIN PER ASTM B 545  
 LIGHT PIPE - POLYCARBONATE  
 LIGHT PIPE HOUSING - ZINC ALLOY

- CONTACT FINISH:  
 CONFORMS TO THE REQUIREMENTS OF PRODUCT SPECIFICATION 108-2481, BASED ON EIA/ECA-364-1000.01A, CONTROLLED ENVIRONMENT APPLICATIONS) ON MATING INTERFACE, TIN ON NEEDLE EYE

- PCB MINIMUM THICKNESS = 1.5mm

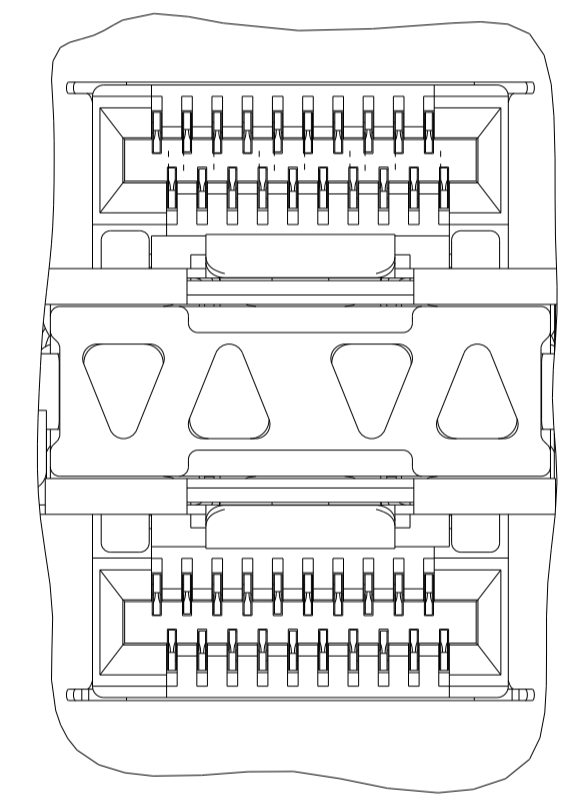
⚠ FOR HOLE SIZE AND PLATINGS, SEE APPLICATION SPECIFICATION 114-13319

⚠ LIGHT PIPE PAD LAYOUT IS FOR 0805 LOW PROFILE LED PACKAGE WITH A HEIGHT OF 0.8mm

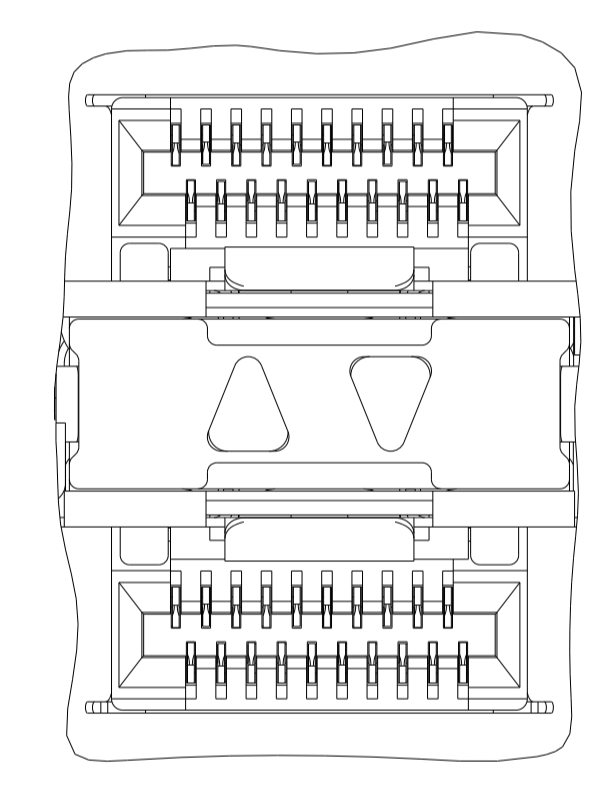
⚠ DIMENSIONS APPLY FOR EMI SPRINGS ONLY

⚠ THE ENTIRE AREA OF THE CONNECTOR FOOTPRINT, INDICATED BY THE DASHED LINE, TO BE CONSIDERED THE KEEPOUT AREA FOR COMPONENTS AND SIGNAL TRACES, TOP SIDE ONLY, TOP SIDE TRACES ALLOWED WITHIN CONNECTOR HOLE PATTERN

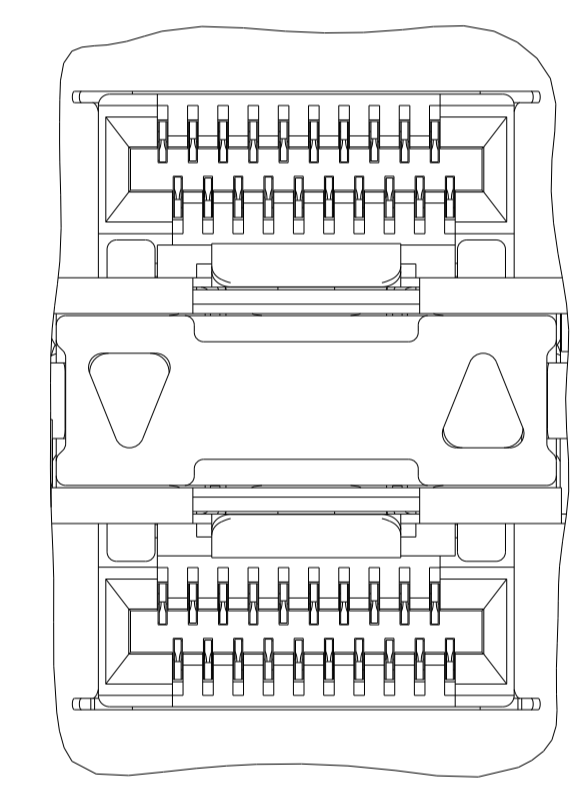
⚠ AIRFLOW ENHANCE VERSION



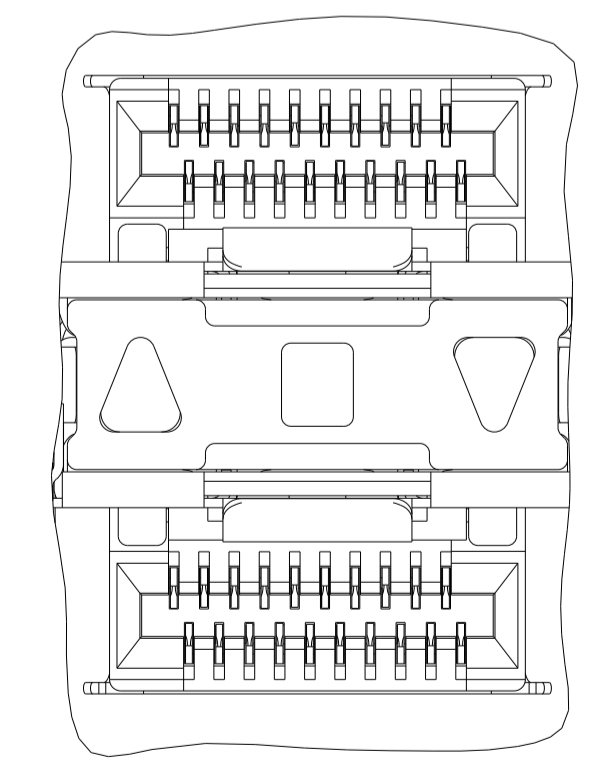
INNER/OUTER LIGHT PIPES  
2198325-2, 2198325-6  
SCALE 5:1



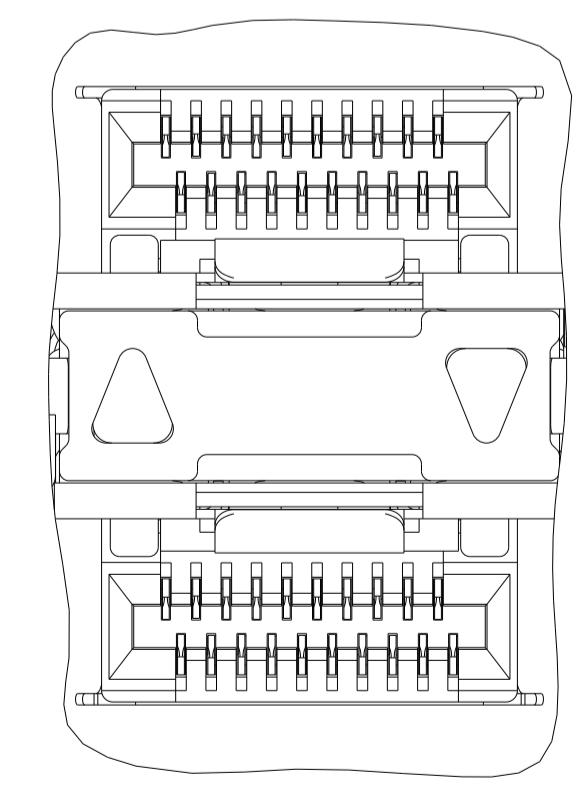
INNER LIGHT PIPES  
2198325-3, 2198325-7  
SCALE 5:1



OUTER LIGHT PIPES  
2198325-4, 2198325-8  
SCALE 5:1



CENTER/REVERSED OUTER LIGHT PIPES  
1-2198325-7, 1-2198325-9  
SCALE 5:1



REVERSED OUTER LIGHT PIPES  
1-2198325-8, 2-2198325-0  
SCALE 5:1

⚠	31	EMI SPRINGS	REVERSE OUTER	3-2198325-3
⚠	31	EMI SPRINGS	CENTER/REVERSE OUTER	3-2198325-2
	31	EMI SPRINGS	CENTER/REVERSE OUTER	3-2198325-1
	31	EMI SPRINGS	NONE	3-2198325-0
	31	EMI SPRINGS	REVERSED OUTER	2-2198325-0
			CENTER/REVERSED OUTER	1-2198325-9
	33.75	EMI GASKET	REVERSED OUTER	1-2198325-8
			CENTER/REVERSED OUTER	1-2198325-7
	31	EMI SPRINGS	OUTER	2198325-8
			INNER	2198325-7
			INNER/OUTER	2198325-6
			NONE	2198325-5
	33.75	EMI GASKET	OUTER	2198325-4
			INNER	2198325-3
			INNER/OUTER	2198325-2
			NONE	2198325-1
(E)	CAGE TYPE	LIGHT PIPE CONFIGURATION		PART NUMBER

THIS DRAWING IS A CONTROLLED DOCUMENT.

OWN: M.E. CONNER 06OCT2011  
 CHK: M.D. MORRISON 06OCT2011  
 APVD: M.D. MORRISON 07OCT2011

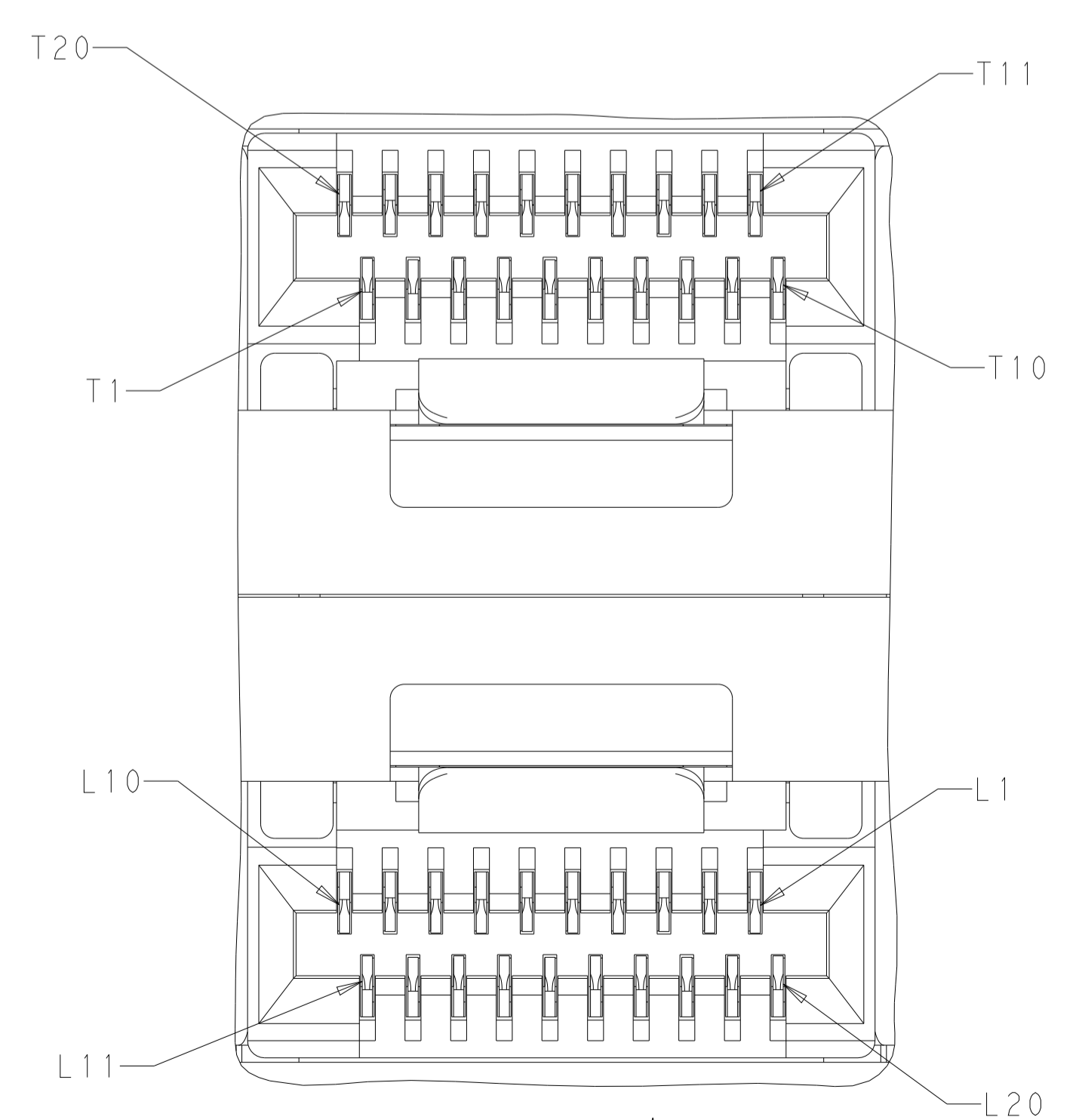
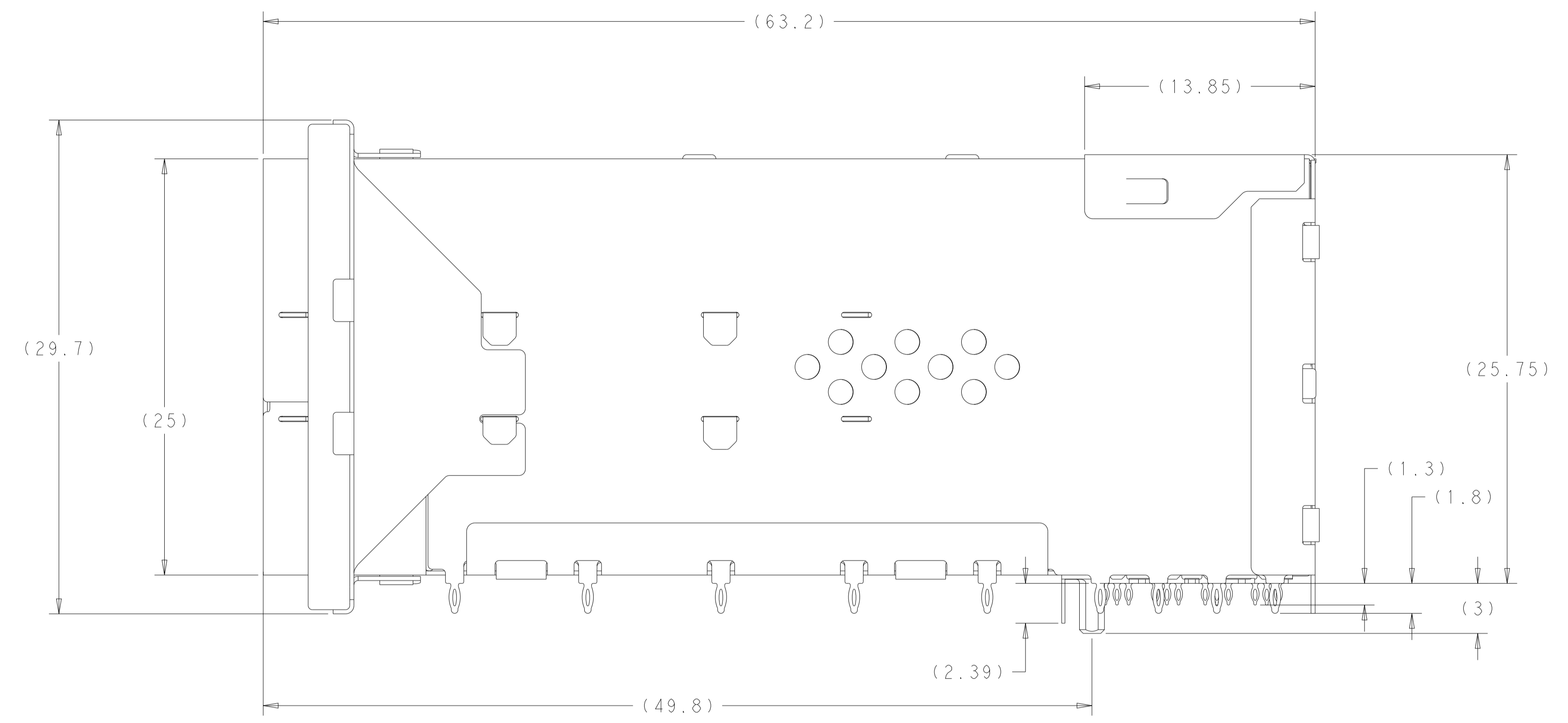
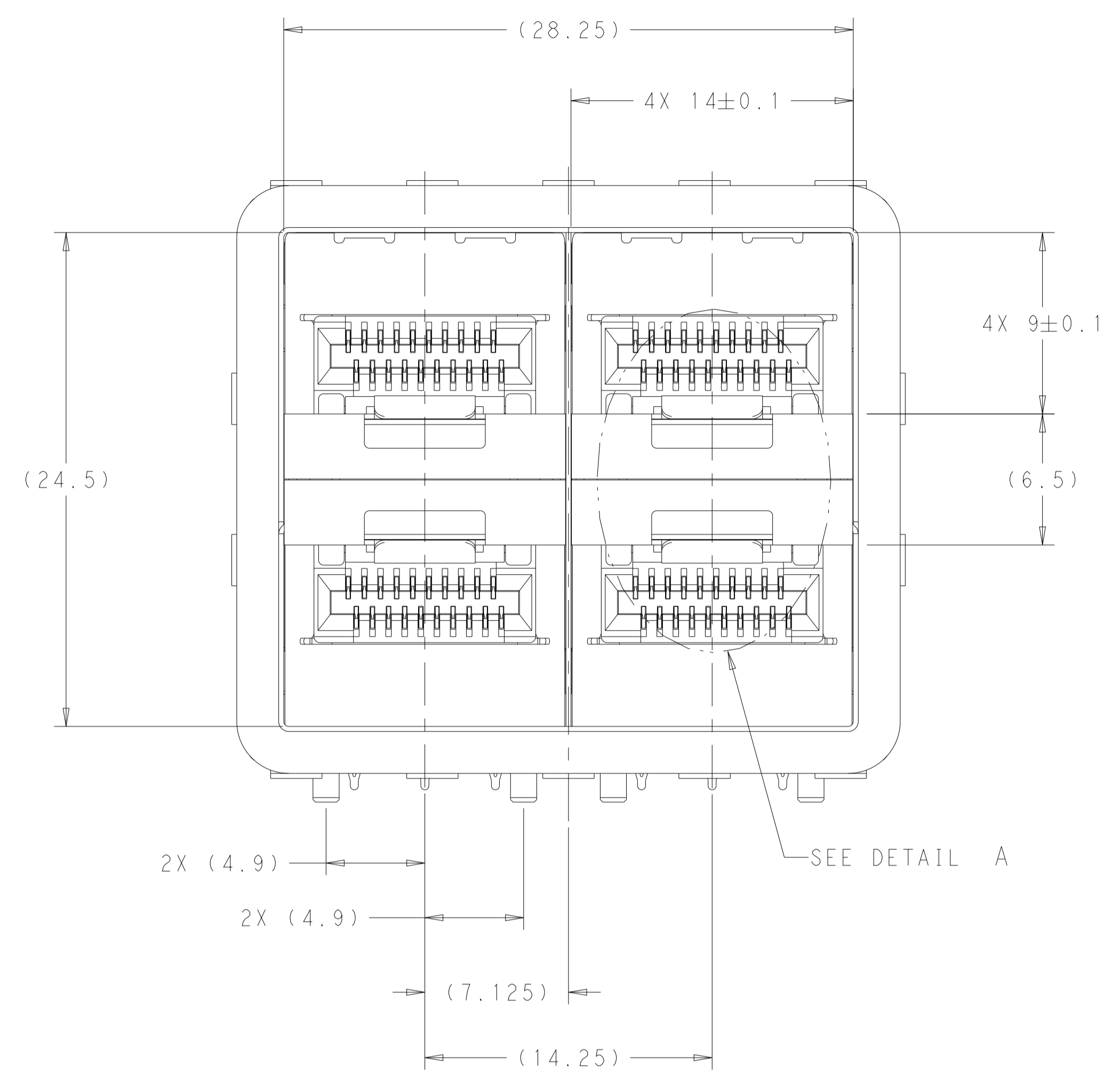
TE Connectivity

RECEPTACLE ASSEMBLY, 2X2, STACKED, zSFP+

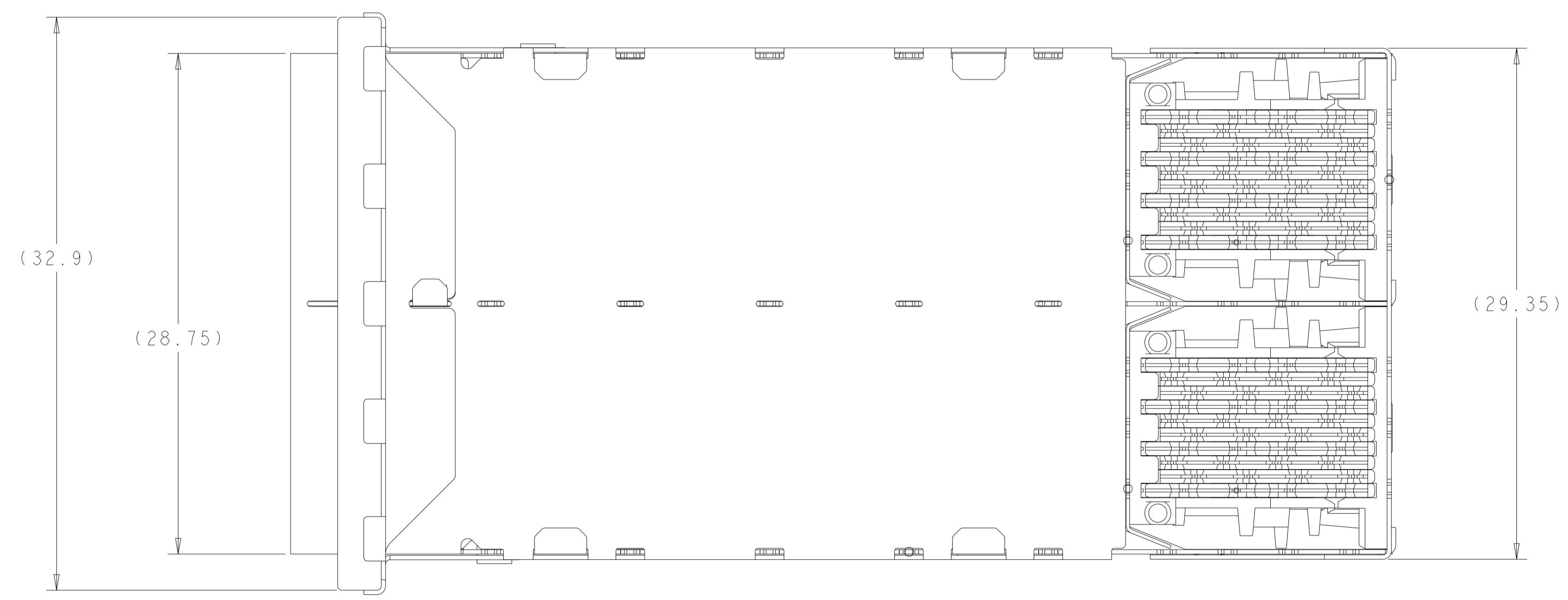
SIZE: A1 00779 C=2198325

SCALE: 4:1 SHEET 1 OF 6 REV: C1

LOC		DIST		REVISIONS				
P	LTN	DATE	DMN	APVD	DESCRIPTION	DATE	DMN	APVD
-	-	-	-	-	SEE SHEET 1	-	-	-



DETAIL A  
 2 PLACES  
 SCALE 10:1

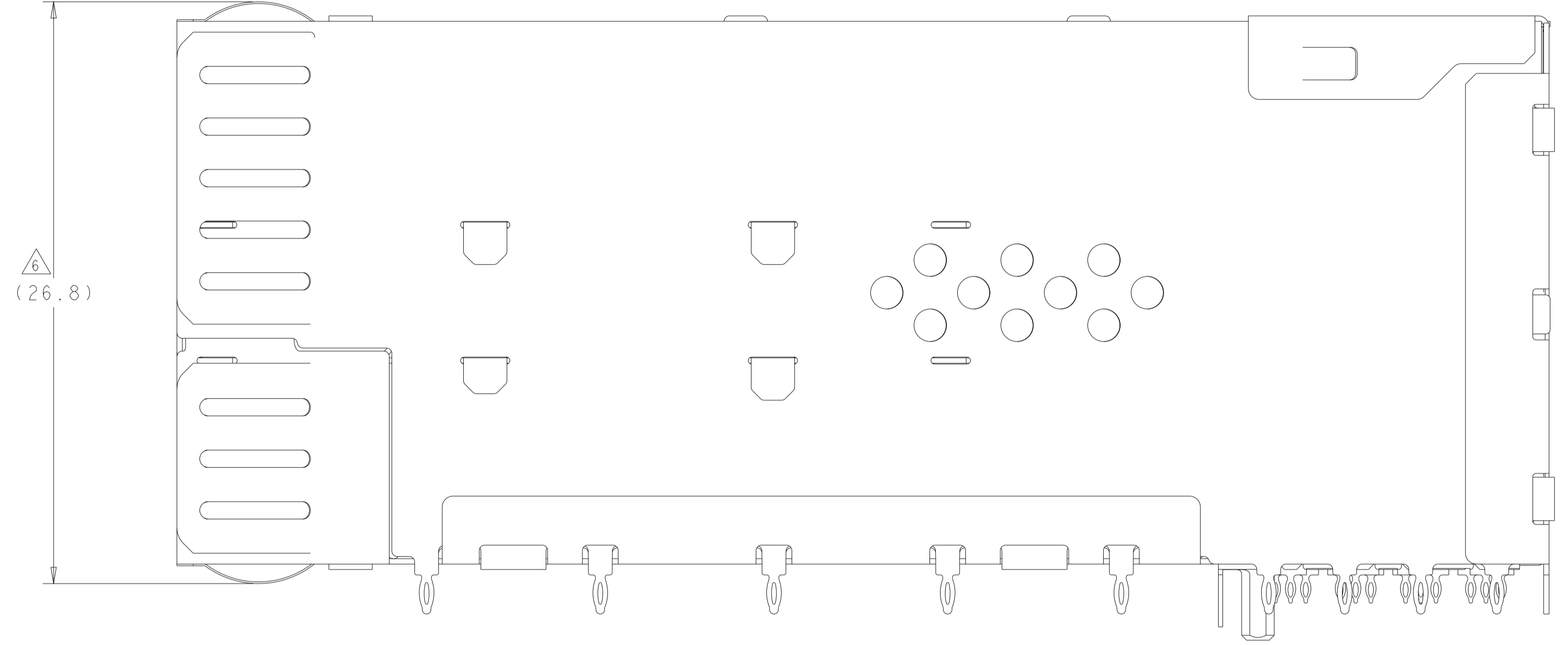
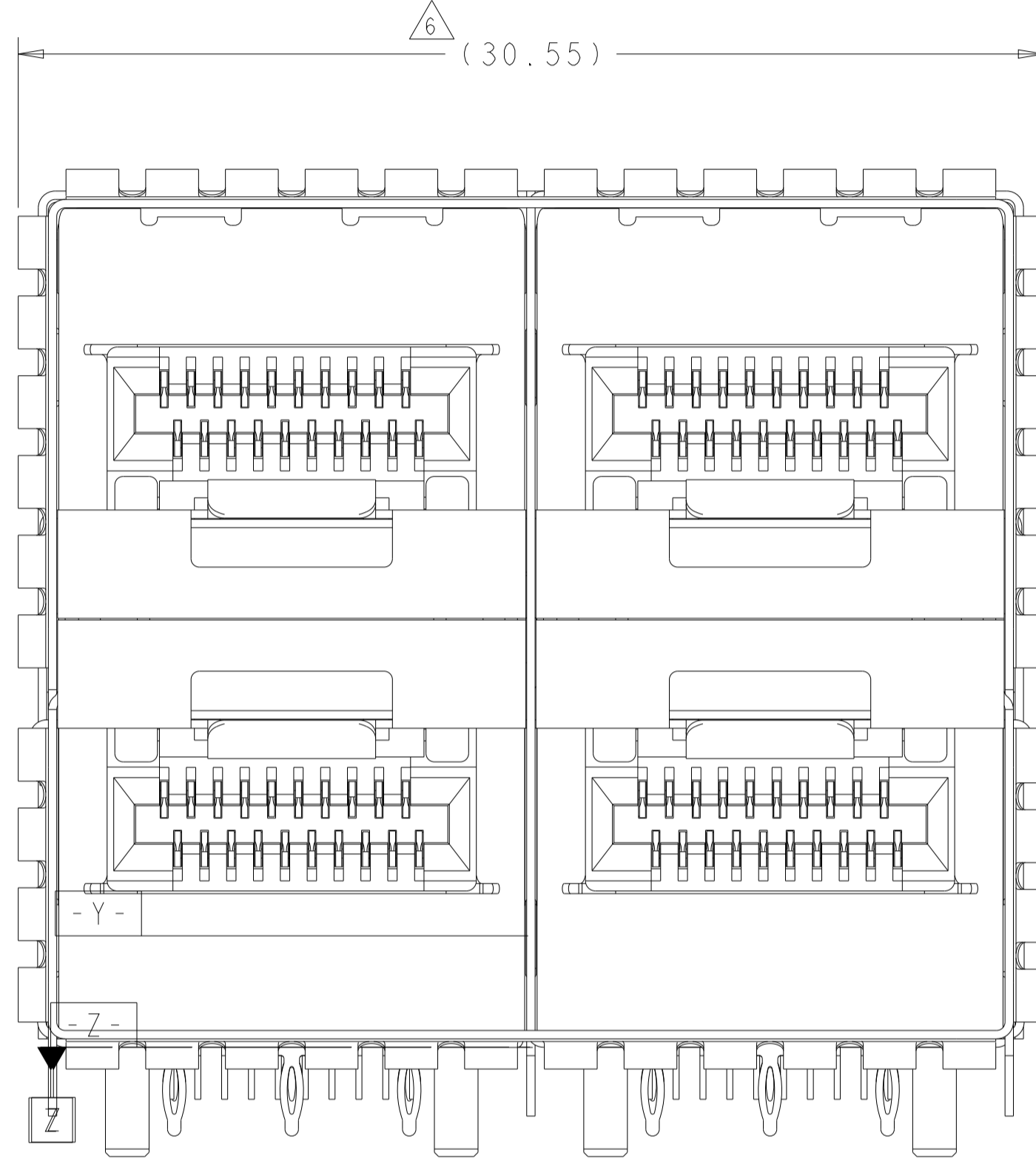


THIS DRAWING IS A CONTROLLED DOCUMENT.

OWN: M.E. CONNER	06OCT2011	TE Connectivity RECEPTACLE ASSEMBLY, 2X2, STACKED, zSFP+
CHK: M.D. MORRISON	06OCT2011	
APVD: M.D. MORRISON	07OCT2011	
NAME: M.D. MORRISON	108-2481	
DIMENSIONS: mm	TOLERANCES UNLESS OTHERWISE SPECIFIED:	PRODUCT SPEC
0 PLC ±	1 PLC ±	APPLICATION SPEC
2 PLC ±	3 PLC ±	SIZE: 114-13319
4 PLC ±	ANGLES ±	WEIGHT: -
MATERIAL: SEE NOTES	FINISH: SEE NOTES	Customer Drawing

SCALE 5:1 SHEET 2 OF 6 REV C1

LOC	DIST	REVISIONS					
GP	00	P	LTN	DESCRIPTION	DATE	DMN	APVD
		-		SEE SHEET 1	-	-	-



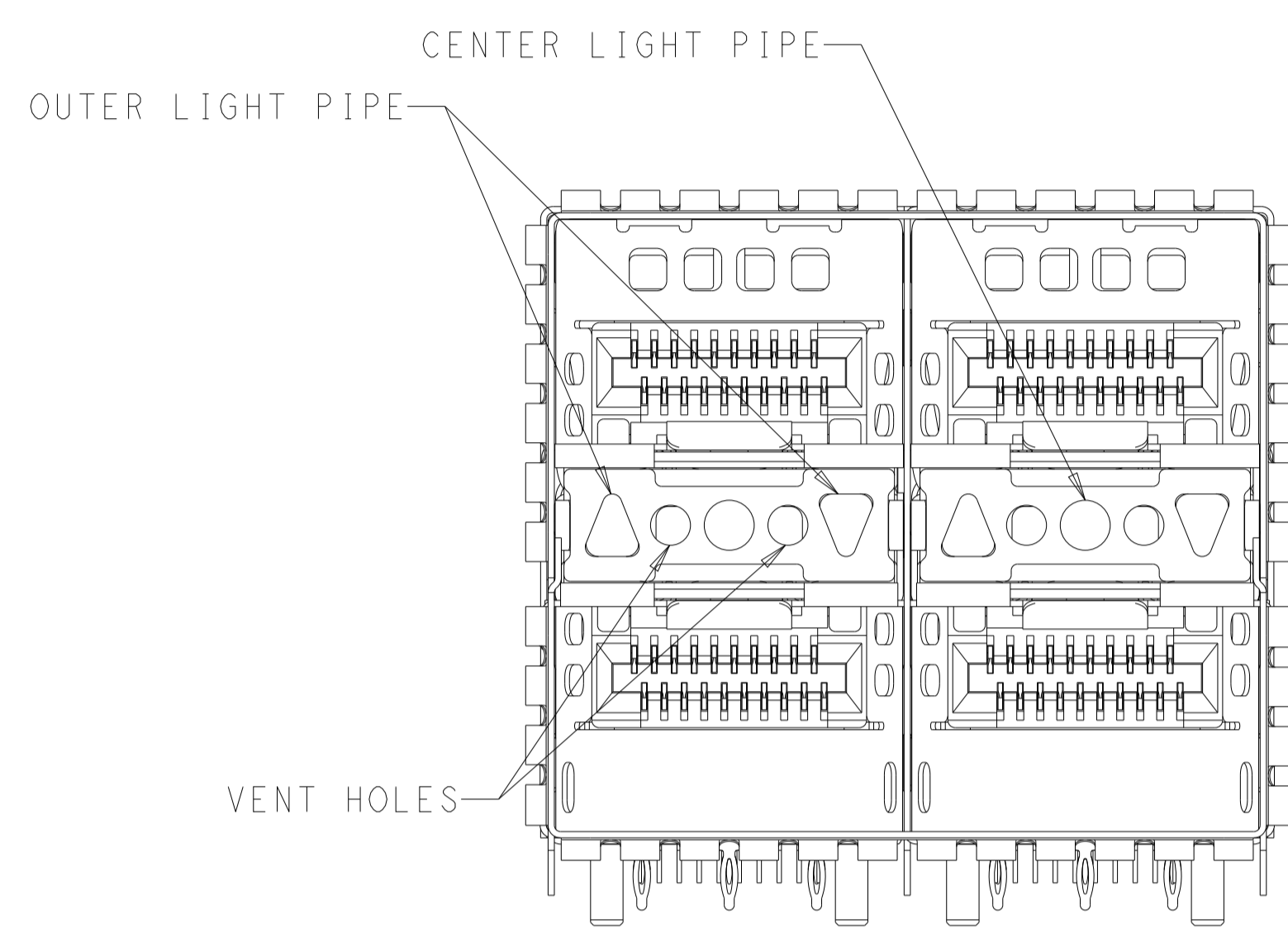
2198325-5 THRU 2198325-8, 1-2198325-9, 2-2198325-0  
EMI SPRINGS ONLY  
SCALE 6:1

THIS DRAWING IS A CONTROLLED DOCUMENT.		DMN M. E. CONNER 06OCT2011															
DIMENSIONS: mm		CHK M. D. MORRISON 06OCT2011															
TOLERANCES UNLESS OTHERWISE SPECIFIED:		APVD M. D. MORRISON 07OCT2011	NAME RECEPTACLE ASSEMBLY, 2X2, STACKED, zSFP+														
<table border="1"> <tr><td>0 PLC</td><td>±</td></tr> <tr><td>1 PLC</td><td>±</td></tr> <tr><td>2 PLC</td><td>±</td></tr> <tr><td>3 PLC</td><td>±</td></tr> <tr><td>4 PLC</td><td>±</td></tr> <tr><td>ANGLES</td><td>±</td></tr> <tr><td>FINISH</td><td>±</td></tr> </table>		0 PLC	±	1 PLC	±	2 PLC	±	3 PLC	±	4 PLC	±	ANGLES	±	FINISH	±	PRODUCT SPEC 108-2481	SIZE A100779
0 PLC	±																
1 PLC	±																
2 PLC	±																
3 PLC	±																
4 PLC	±																
ANGLES	±																
FINISH	±																
MATERIAL SEE NOTES		APPLICATION SPEC 114-13319	DRAWING NO C=2198325														
		WEIGHT -	RESTRICTED TO -														
		Customer Drawing	SCALE 4:1 SHEET 3 OF 6 REV C1														

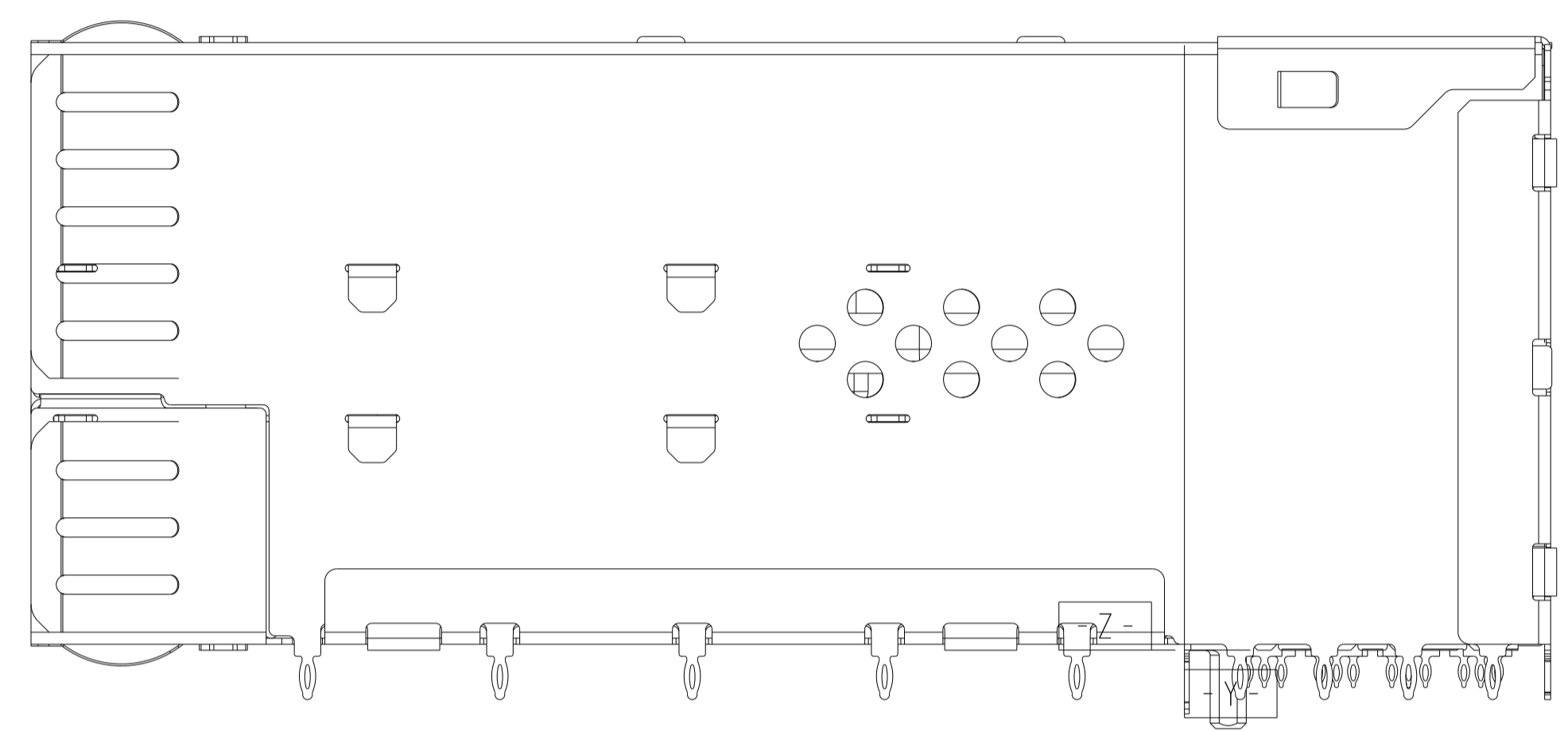


LOC		DIST		REVISIONS			
GP	00	P	LYR	DESCRIPTION	DATE	DMN	APVD
-	-	-	-	SEE SHEET 1	-	-	-

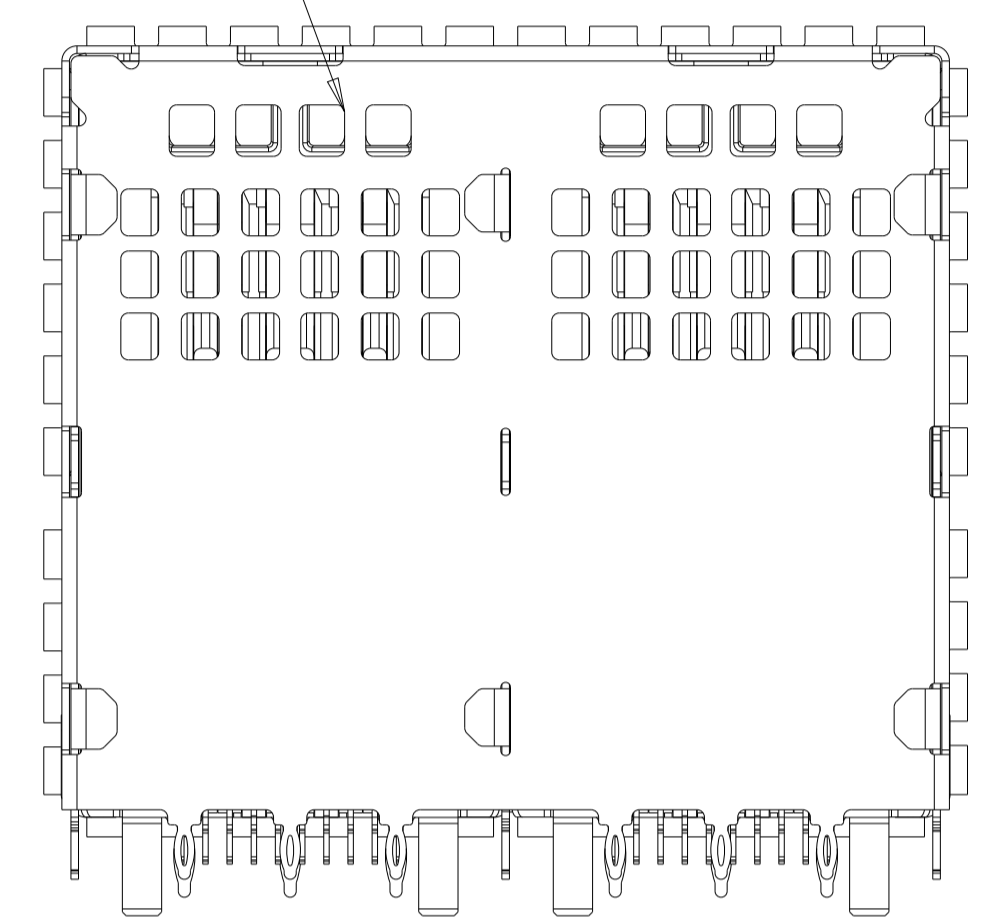
### 3-2198325-2 AIR FLOW ENHANCE VERSION UNMARKED DIMENSION SAME AS 2198325-5



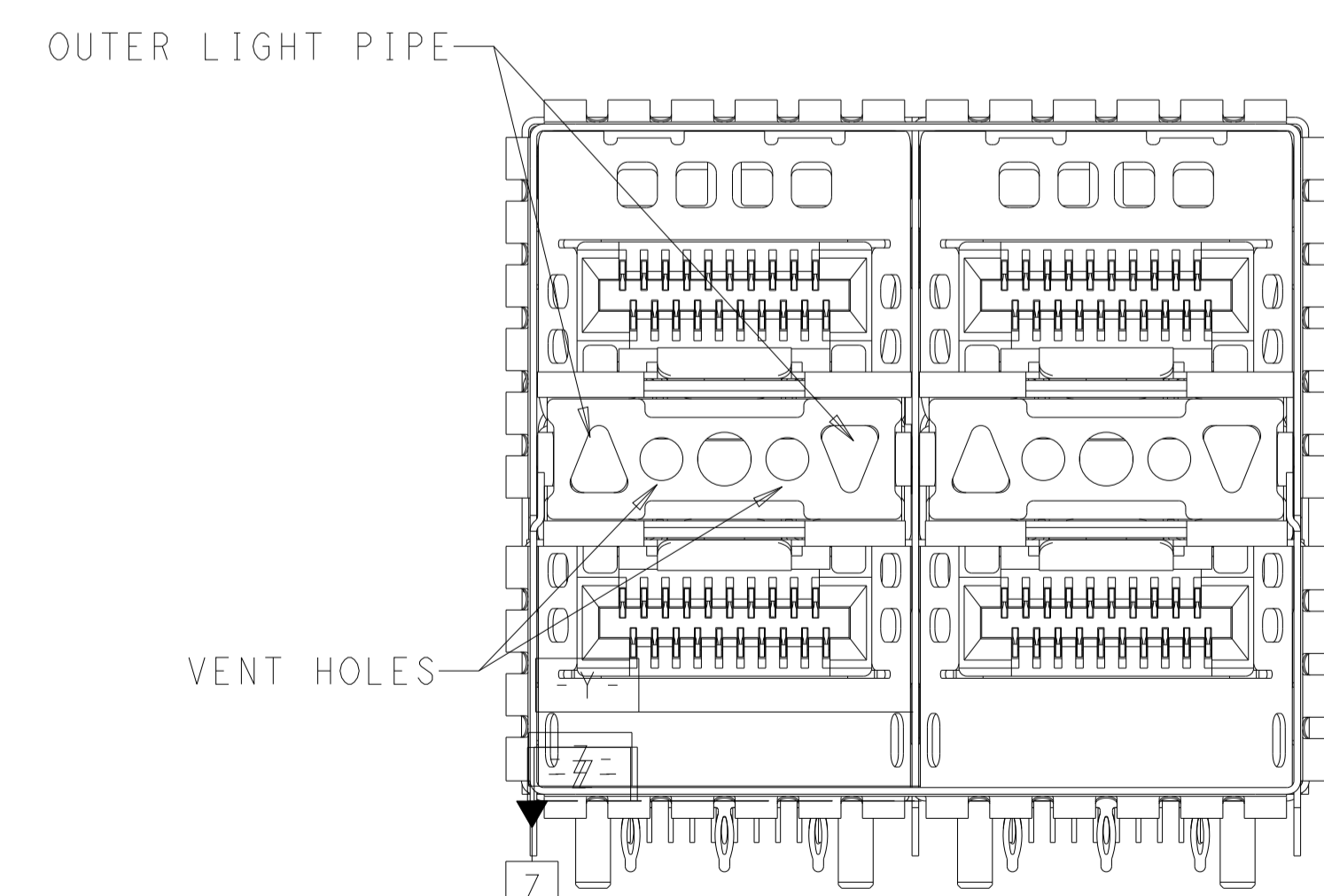
SCALE 4:1



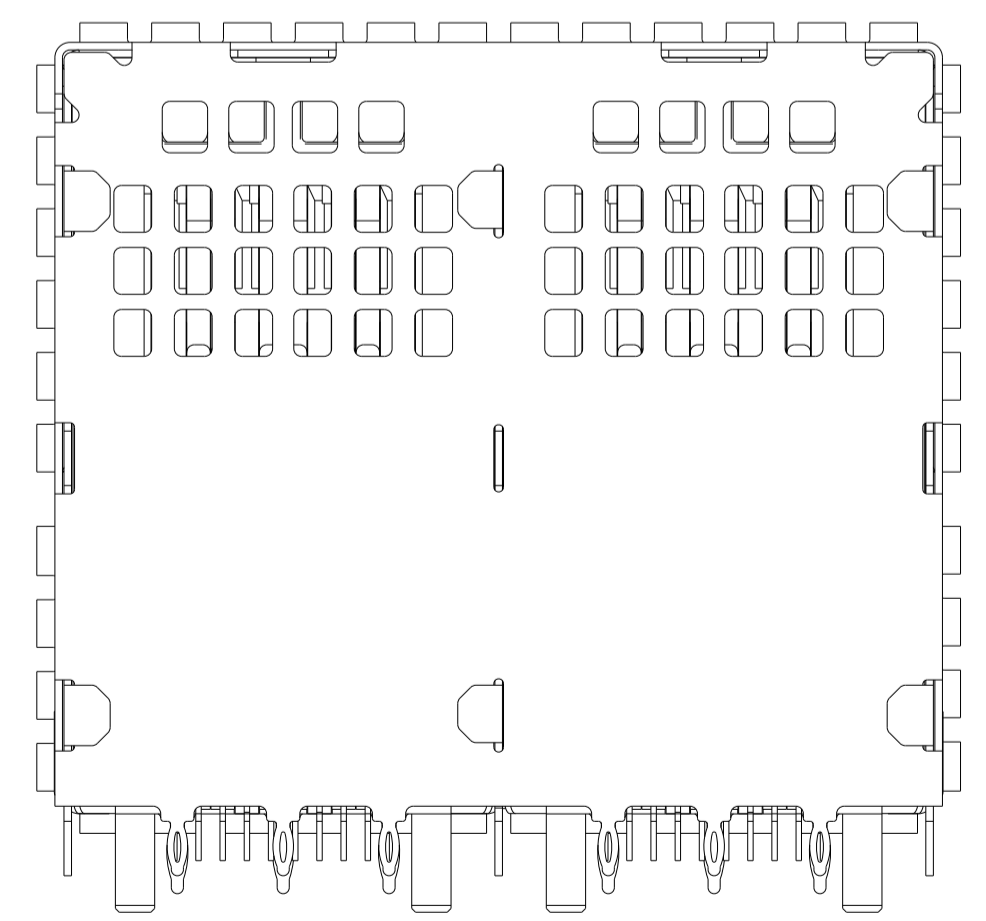
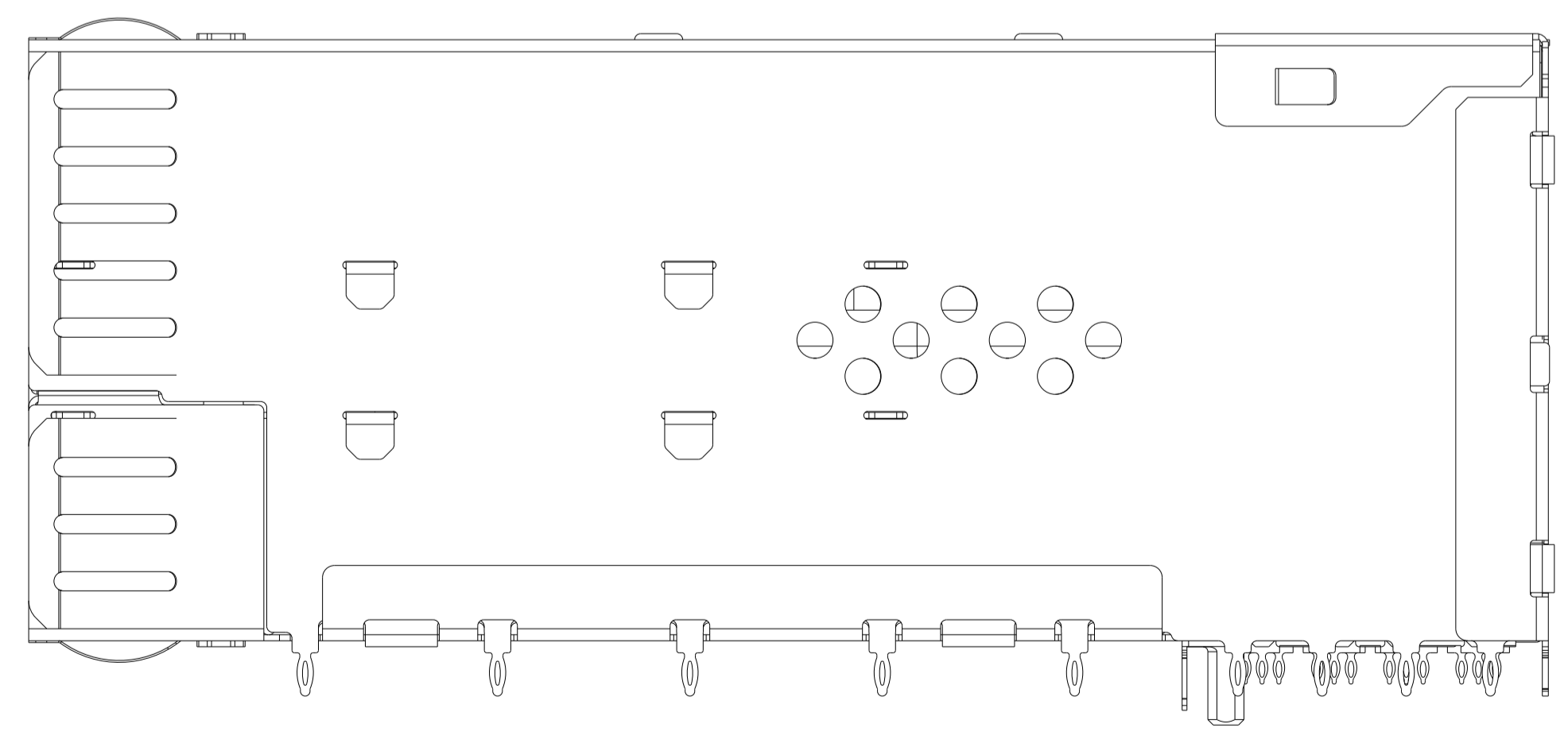
VENT HOLES PARTERN



### 3-2198325-3 AIR FLOW ENHANCE VERSION UNMARKED DIMENSION SAME AS 2198325-5

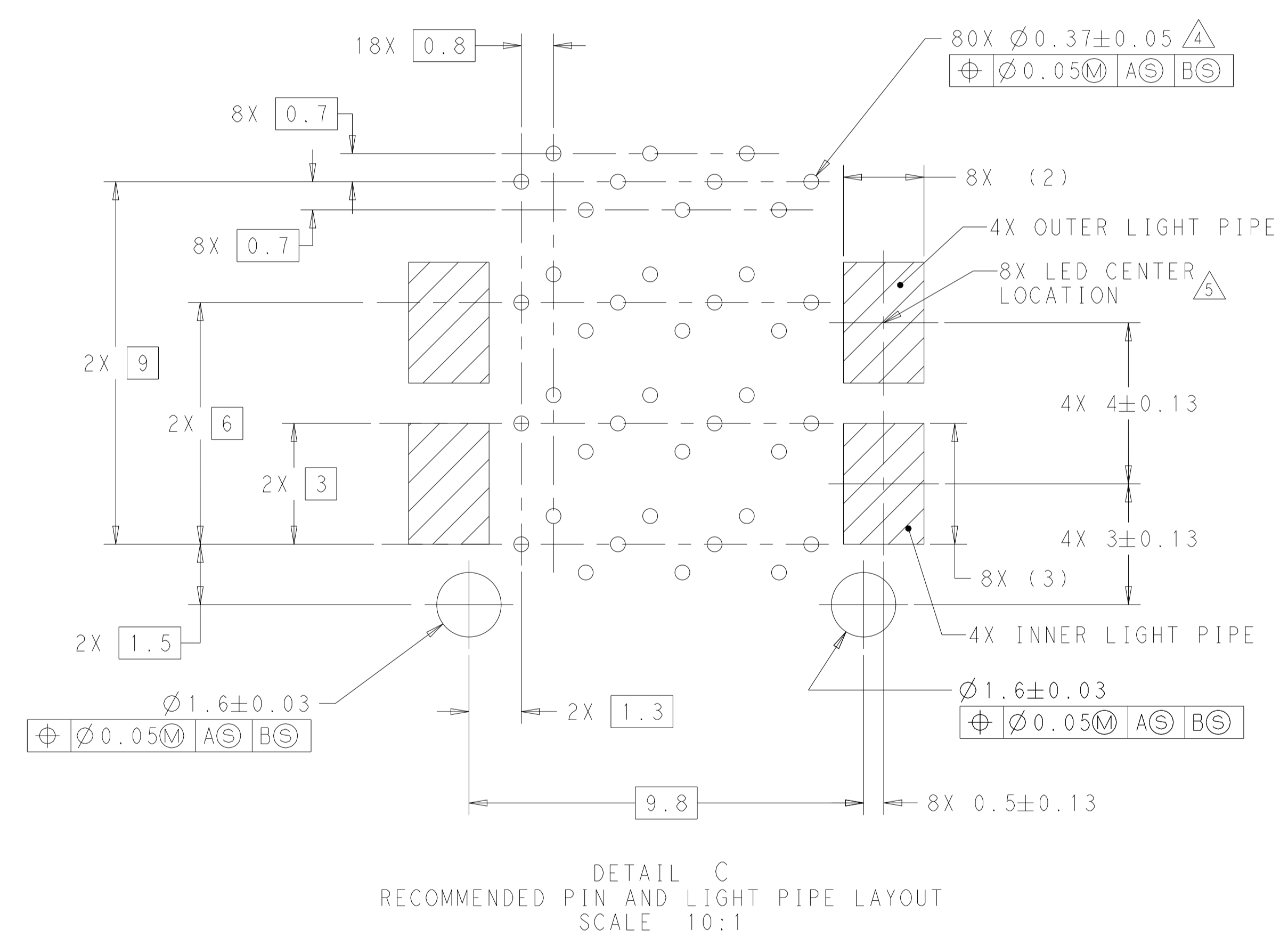
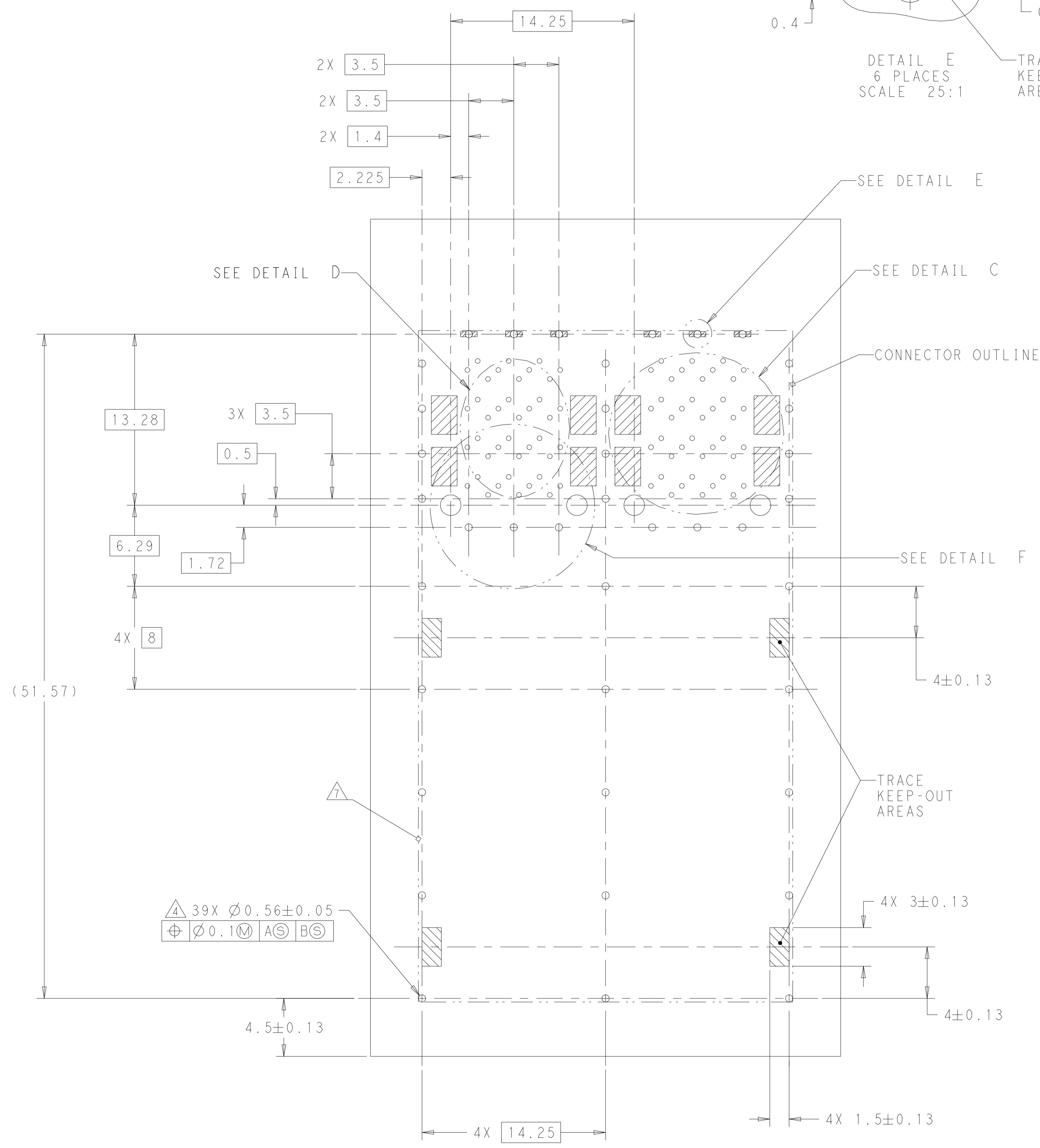
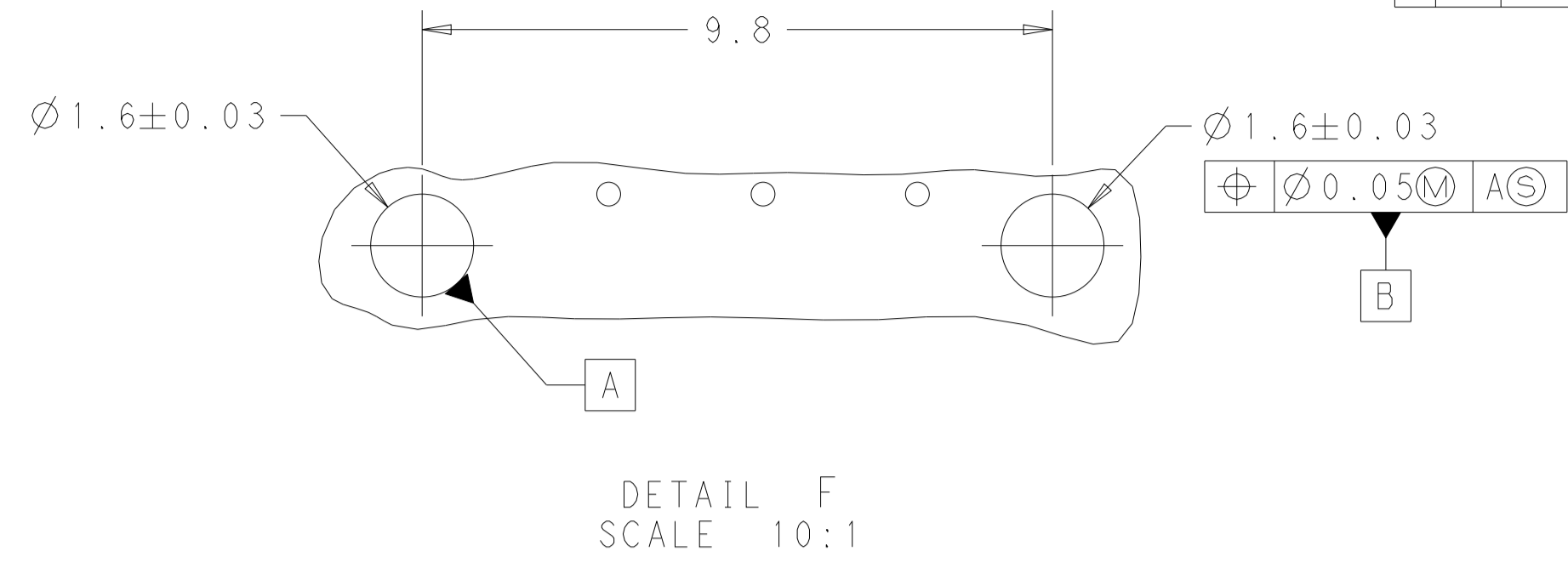
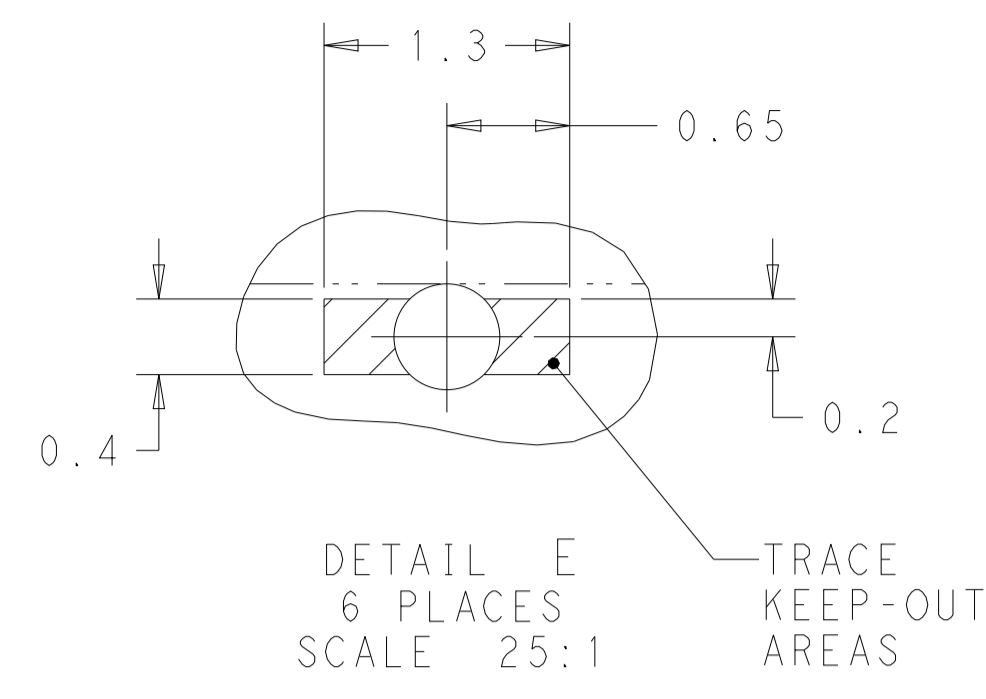


SCALE 4:1



THIS DRAWING IS A CONTROLLED DOCUMENT.		DMN M. E. CONNER 06OCT2011	TE Connectivity NAME RECEPTACLE ASSEMBLY, 2X2, STACKED, zSFP+
DIMENSIONS:		CHK M. D. MORRISON 06OCT2011	
mm	TOLERANCES UNLESS OTHERWISE SPECIFIED:	APVD M. D. MORRISON 07OCT2011	PRODUCT SPEC
0 PLC ± 1 PLC ± 2 PLC ± 3 PLC ± 4 PLC ± ANGLES ± FINISH ±	108-2481 APPLICATION SPEC 114-13319	SIZE A1	CAGE CODE 00779
MATERIAL SEE NOTES	SEE NOTES	WEIGHT	DRAWING NO C=2198325
Customer Drawing		SCALE 4:1	SHEET 4 OF 6 REV C1

LOC		DIST		REVISIONS			
GP	00	P	LYN	DESCRIPTION	DATE	OWN	APVD
		-		SEE SHEET 1			



THIS DRAWING IS A CONTROLLED DOCUMENT.		OWN: M.E. CONNER 06OCT2011	TE Connectivity
DIMENSIONS: mm		CHK: M.D. MORRISON 06OCT2011	
TOLERANCES UNLESS OTHERWISE SPECIFIED:		APVD: M.D. MORRISON 07OCT2011	NAME: RECEPTACLE ASSEMBLY, 2X2, STACKED, zSFP+
0 PLC ±		PRODUCT SPEC: 108-2481	SIZE: A1
1 PLC ±		APPLICATION SPEC: 114-13319	CAGE CODE: 2198325
2 PLC ±		WEIGHT: -	RESTRICTED TO: -
3 PLC ±		FINISH: -	SCALE: 4:1
4 PLC ±		MATERIAL: SEE NOTES	SHEET: 5 OF 6
ANGLES ±		Customer Drawing	REV: C1

LOC	DIST	REVISIONS					
GP	00	P	LTN	DESCRIPTION	DATE	DWN	APVD
		-		SEE SHEET 1	-	-	-

T19 ○ T16 ○ T13 ○  
 T20 ○ T17 ○ T14 ○ T11 ○  
 T18 ○ T15 ○ T12 ○

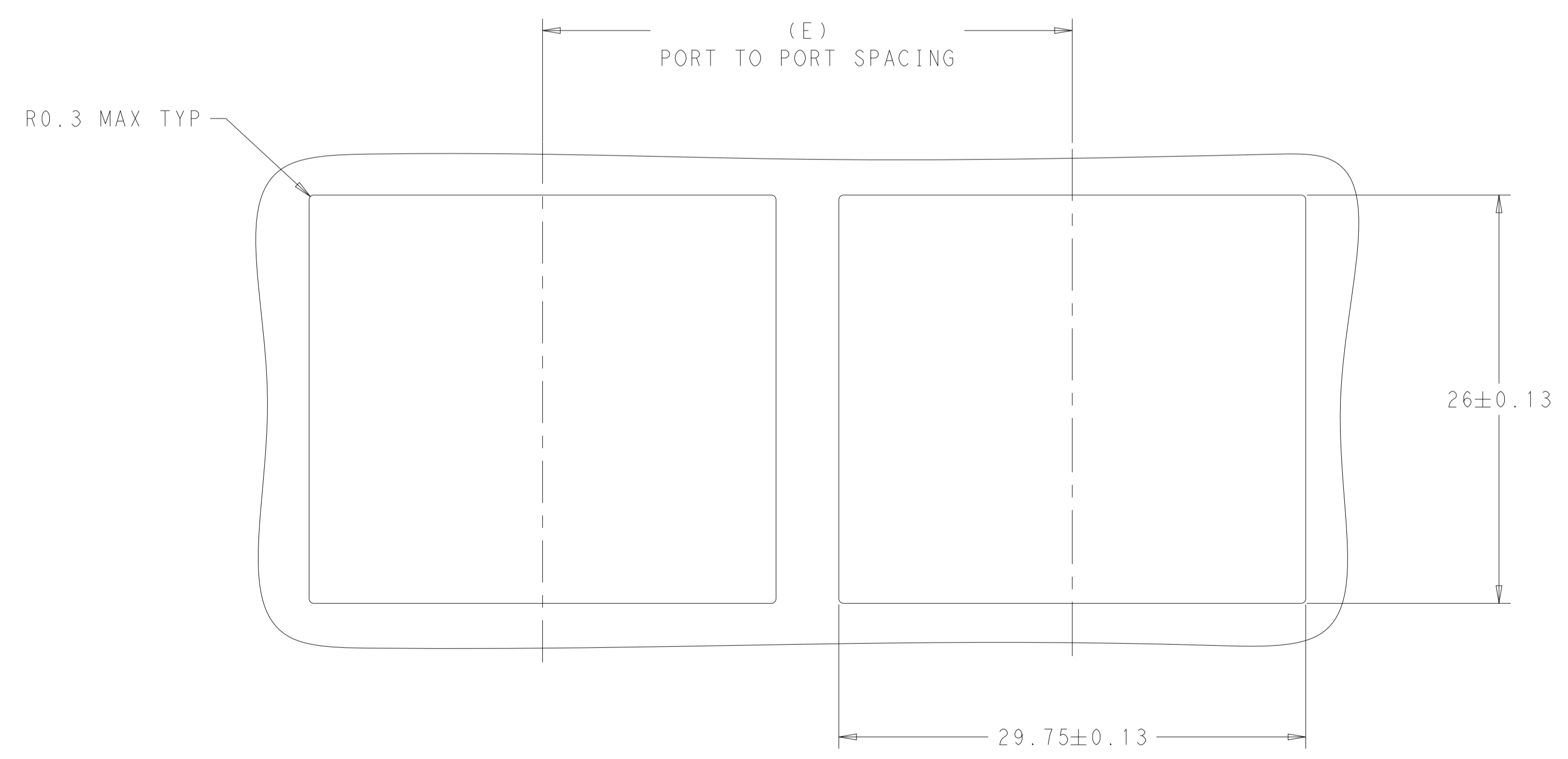
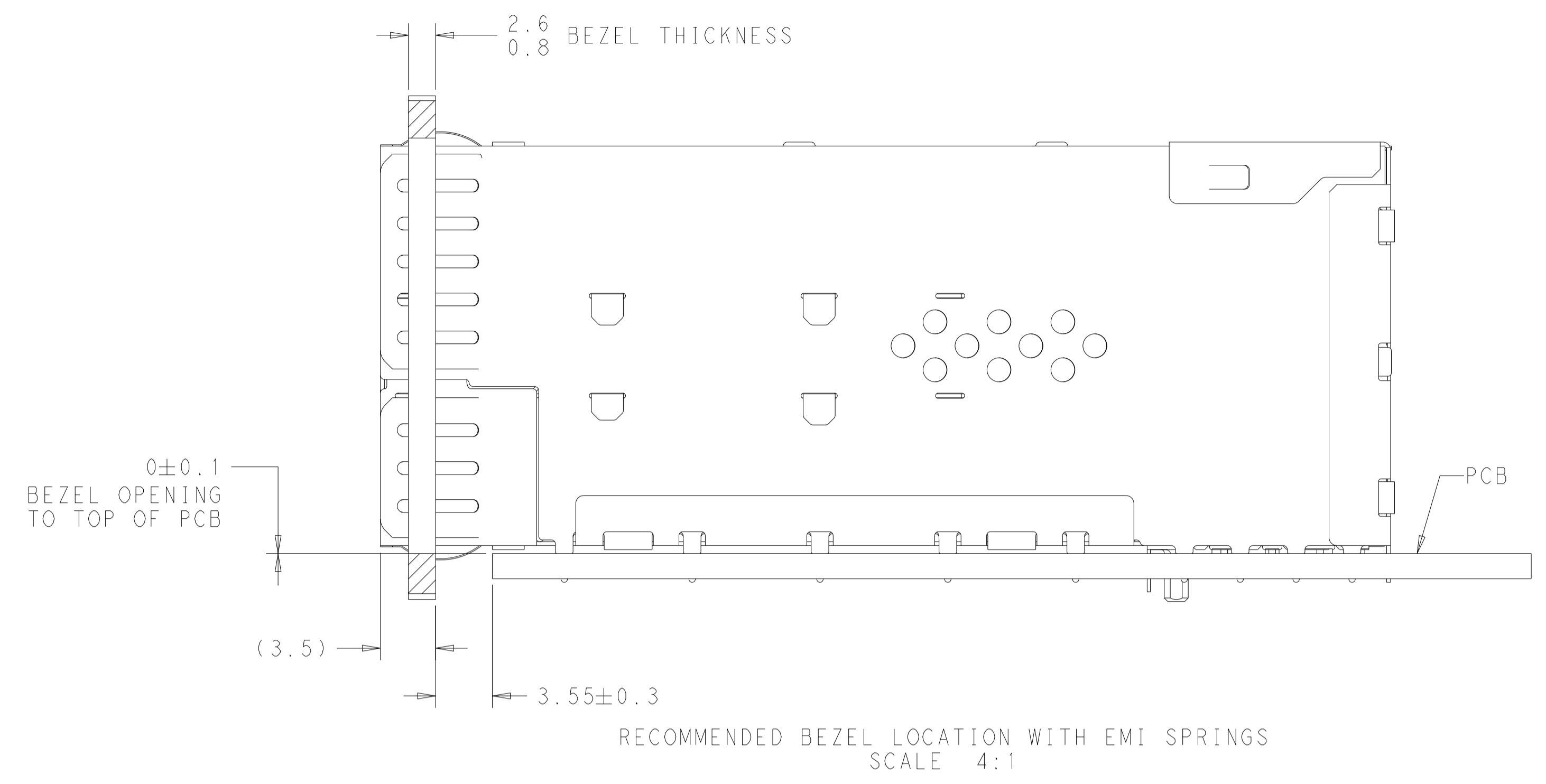
T2 ○ T5 ○ T8 ○  
 T1 ○ T4 ○ T7 ○ T10 ○  
 T3 ○ T6 ○ T9 ○

L9 ○ L6 ○ L3 ○  
 L10 ○ L7 ○ L4 ○ L1 ○  
 L8 ○ L5 ○ L2 ○

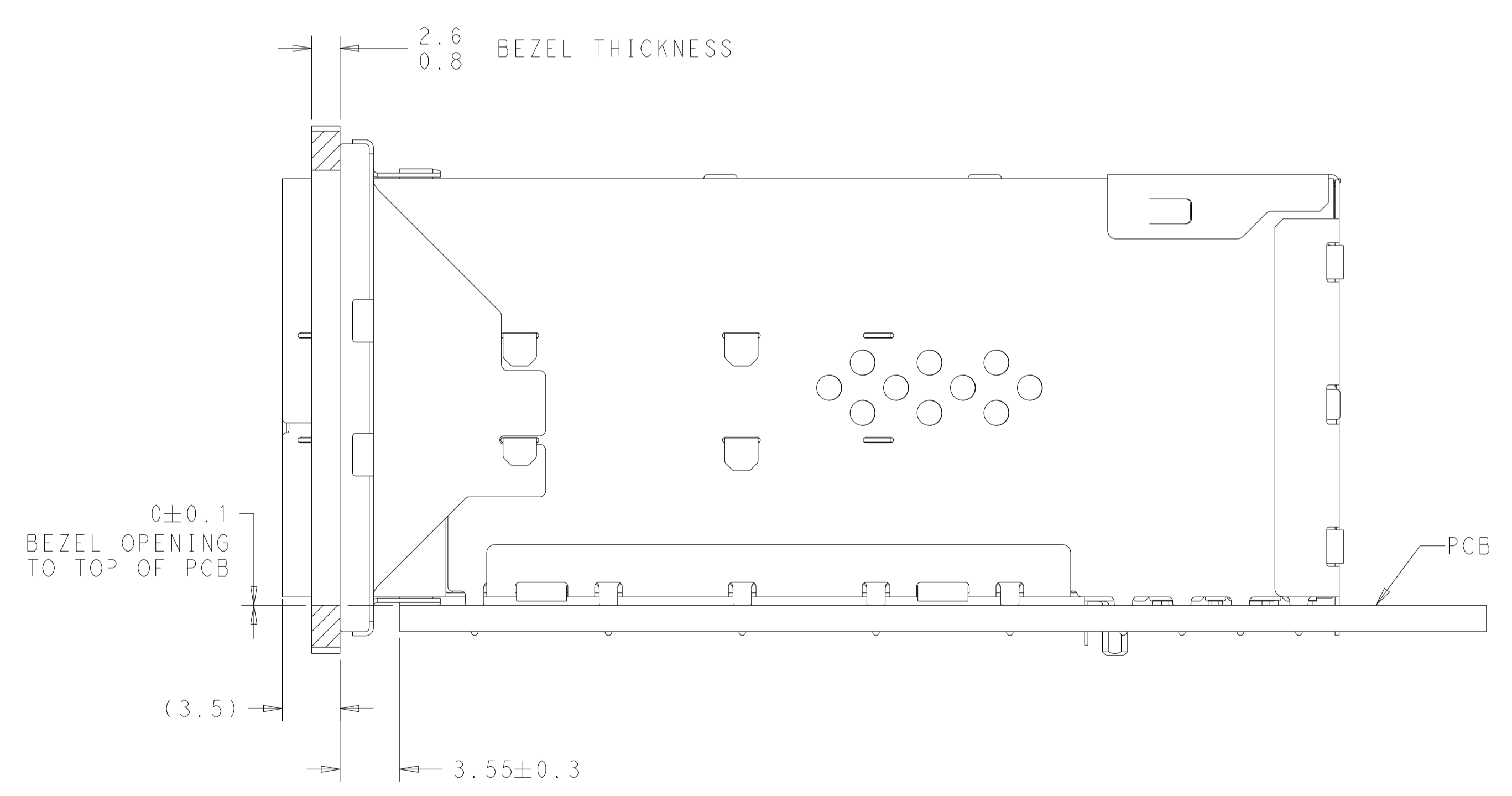
L12 ○ L15 ○ L18 ○  
 L11 ○ L14 ○ L17 ○ L20 ○  
 L13 ○ L16 ○ L19 ○

PIN MAP LEGEND	
PIN NUMBER	FUNCTION
L1/T1	VEET
L2/T2	TX-FAULT
L3/T3	TX-DISABLE
L4/T4	SDA
L5/T5	SCL
L6/T6	MOD_ABS
L7/T7	RSO
L8/T8	RX_LOS
L9/T9	RS1
L10/T10	VEER
L11/T11	VEER
L12/T12	RD-
L13/T13	RD+
L14/T14	VEER
L15/T15	VCCR
L16/T16	VCCT
L17/T17	VEET
L18/T18	TD+
L19/T19	TD-
L20/T20	VEET

DETAIL D  
 PIN MAP  
 2 PLACES  
 SCALE 15:1



RECOMMENDED BEZEL CUT-OUT DETAIL  
 SCALE 4:1



THIS DRAWING IS A CONTROLLED DOCUMENT.		DWN: M.E. CONHEP 06OCT2011	TE Connectivity
DIMENSIONS: mm		CHK: M.D. MORRISON 06OCT2011	
TOLERANCES UNLESS OTHERWISE SPECIFIED:		APVD: M.D. MORRISON 07OCT2011	NAME: RECEPTACLE ASSEMBLY, 2X2, STACKED, zSFP+
0 PLC	±	PRODUCT SPEC	108-2481
2 PLC	±	APPLICATION SPEC	114-13319
3 PLC	±	WEIGHT	-
4 PLC	±	Customer Drawing	SCALE 4:1 SHEET 6 OF 6 REV C1
ANGLES	±		
FINISH	±		

单击下面可查看定价，库存，交付和生命周期等信息

[>>TE Connectivity\(泰科\)](#)