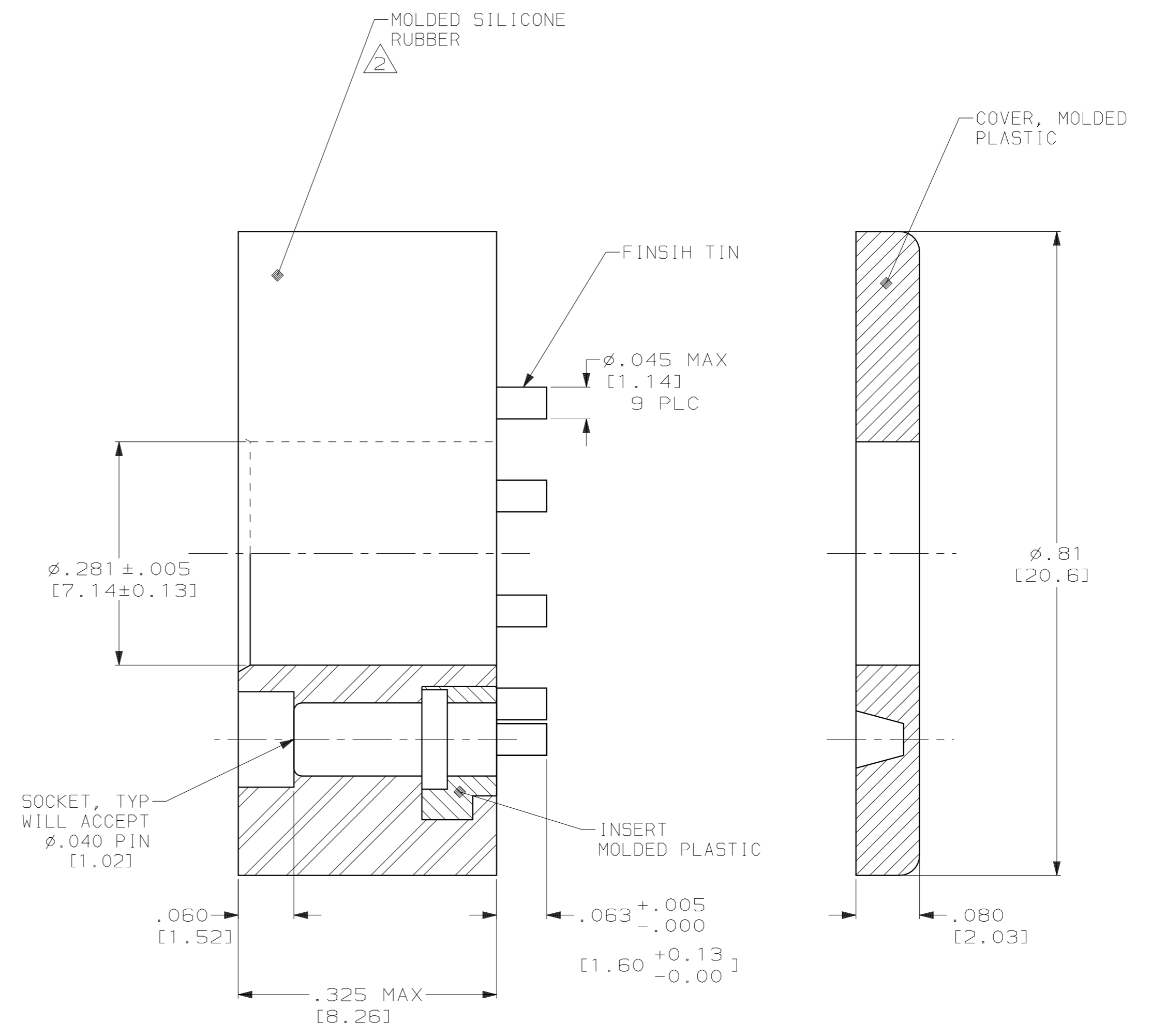
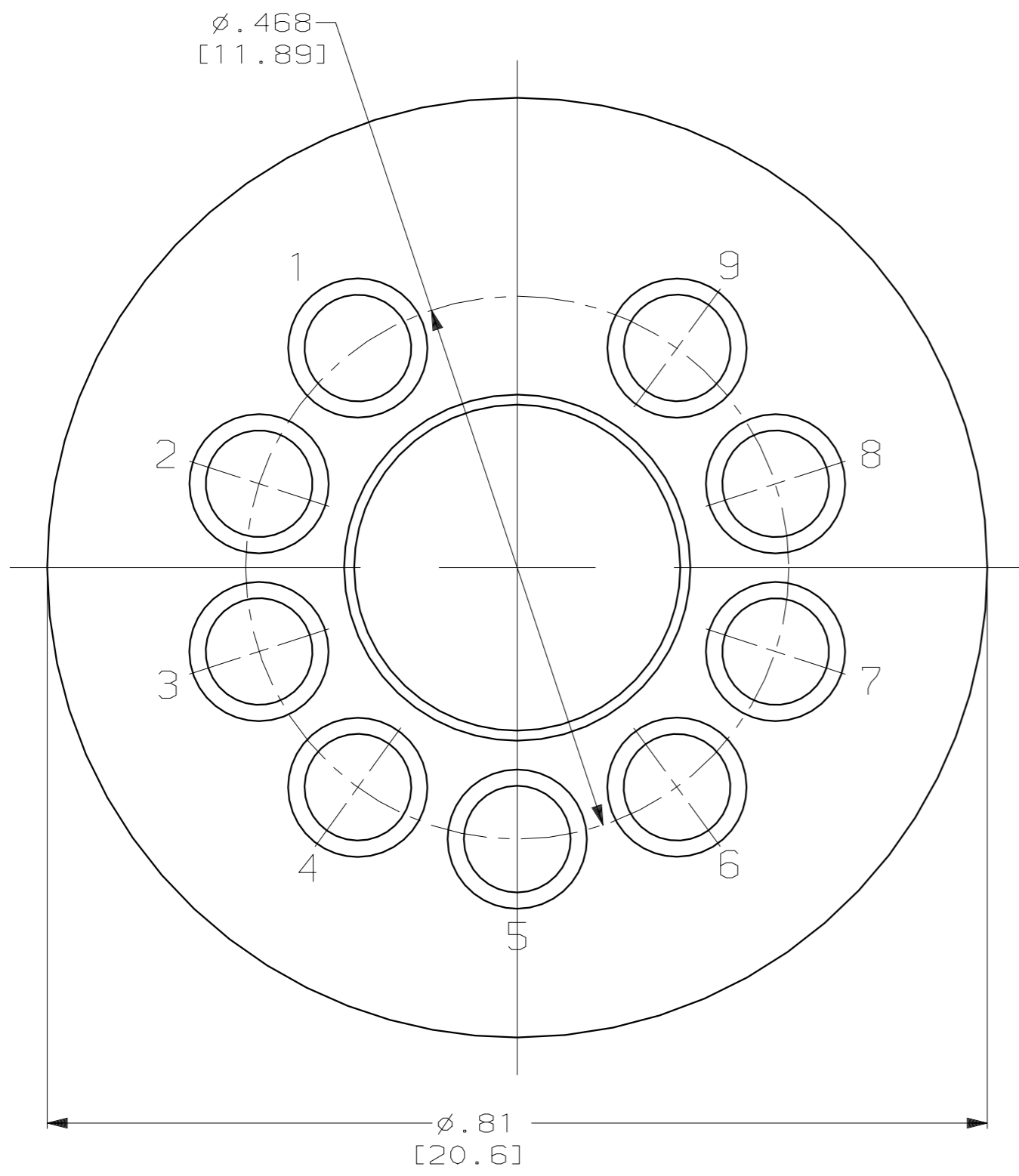


THIS DRAWING IS UNPUBLISHED. RELEASED FOR PUBLICATION  
 BY AMP INCORPORATED. ALL RIGHTS RESERVED.

LOC	DIST	REVISIONS			
P	LTR	DESCRIPTION	DATE	DWN	APVD
DF	SO				
	B	REV PER 063D-0212-02	9-03	JMK	DE



- 1. E9-37 SPECIAL, PIN LENGTH .250 MAX, TABULATION .500 MAX.
- △ DUROMETER FLEXABLE SHORE 45-50.

<small>THIS DRAWING IS A CONTROLLED DOCUMENT FOR AMP INCORPORATED. IT IS SUBJECT TO CHANGE AND THE CONTROLLING ENGINEERING ORGANIZATION SHOULD BE CONTACTED FOR THE LATEST REVISION.</small>		DWN T. THOMPSON 05-08-95 CHK S. GLATFELTER 05-24-95 APVD S. GLATFELTER 05-24-95	<b>AMP</b> AMP Incorporated Harrisburg, PA 17105-3608
DIMENSIONS: IN [mm]	TOLERANCES UNLESS OTHERWISE SPECIFIED: 0 PLC ±- 1 PLC ±- 2 PLC ±.03 [0.76] 3 PLC ±.015 [0.38] 4 PLC ±- ANGLES ±- FINISH -	PRODUCT SPEC - APPLICATION SPEC - WEIGHT -	NAME MULTI-PIN MINIATURE CRT ASSEMBLY (E9-37 SPECIAL) LGH SIZE A2 CAGE CODE 00779 DRAWING NO. C-867865 SCALE 8:1 SHEET 1 OF 1 REV B
MATERIAL -			CUSTOMER DRAWING

867865

单击下面可查看定价，库存，交付和生命周期等信息

[>>TE Connectivity\(泰科\)](#)