

THIS DRAWING IS UNPUBLISHED.

RELEASED FOR PUBLICATION

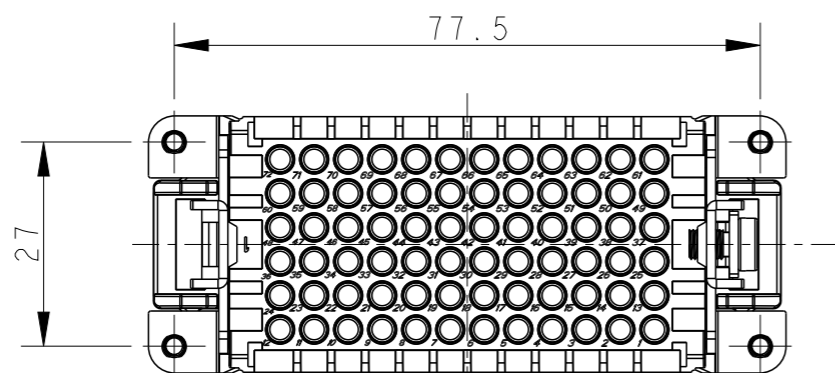
20

© COPYRIGHT 20 BY -

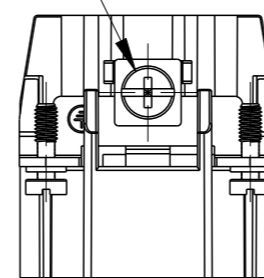
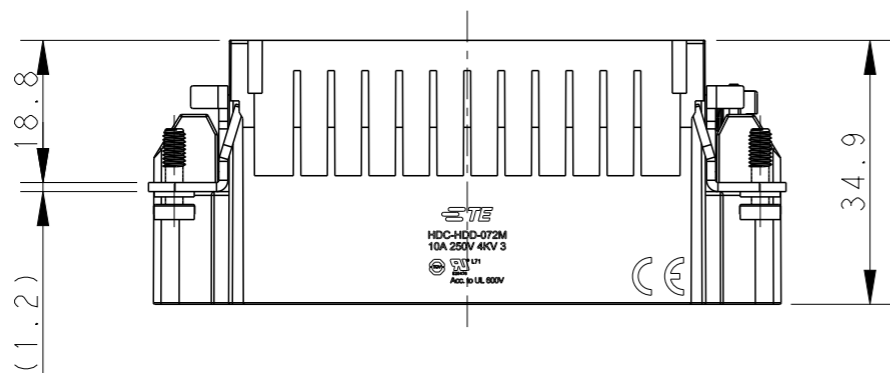
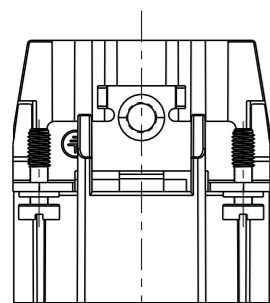
ALL RIGHTS RESERVED.

REVISIONS

P	LTR	DESCRIPTION	DATE	DWN	APVD
	B	ECR-15-013292	24SEP2015	DL	CW
	B1	ECR-16-015492	21NOV2016	OY	CW
	C	ECR-21-105887	26JUL2021	BS	CW
	D	ECR-22-150866	20SEP2022	DL	CW



M4 SCREW
RECOMMENDED
TIGHTENING
TORQUE 1.2Nm
M4 螺丝, 推荐锁紧力矩 1.2Nm



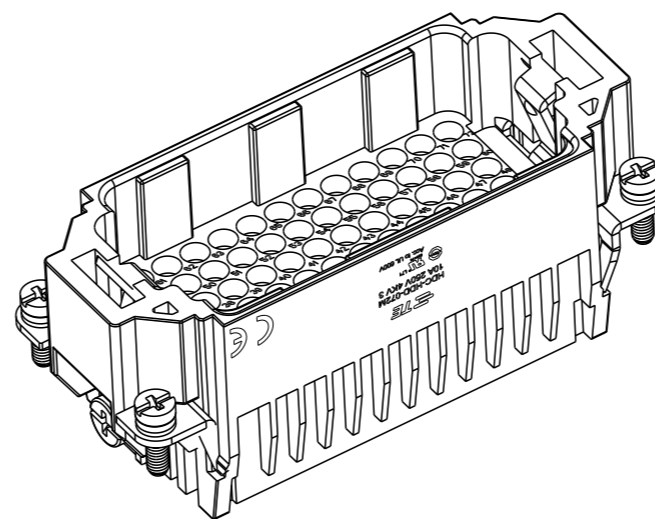
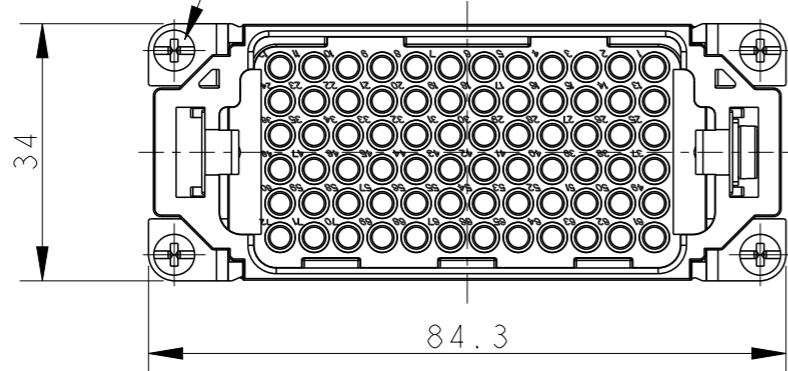
NOTES:

- TECHNICAL CHARACTERISTICS:
INSULATION MATERIAL: PC
RATED VOLTAGE: 250 V
RATED CURRENT: 10 A
INSULATION RESISTANCE: $\geq 400M\Omega$
RATED IMPULSE VOLTAGE: 4 KV
POLLUTION DEGREE: 3
FLAMMABILITY: UL94V-0
MATING CYCLES: 500 CYCLES
WIRE RANGE: 0.14-2.5 mm² (26-14 AWG)
CONTACT TYPE: CRIMP CONTACT
- CONTACT NEED TO BE ORDERED SEPARATELY.
(ORDER No. REFER TO DRAWING:T20200X10XX000)

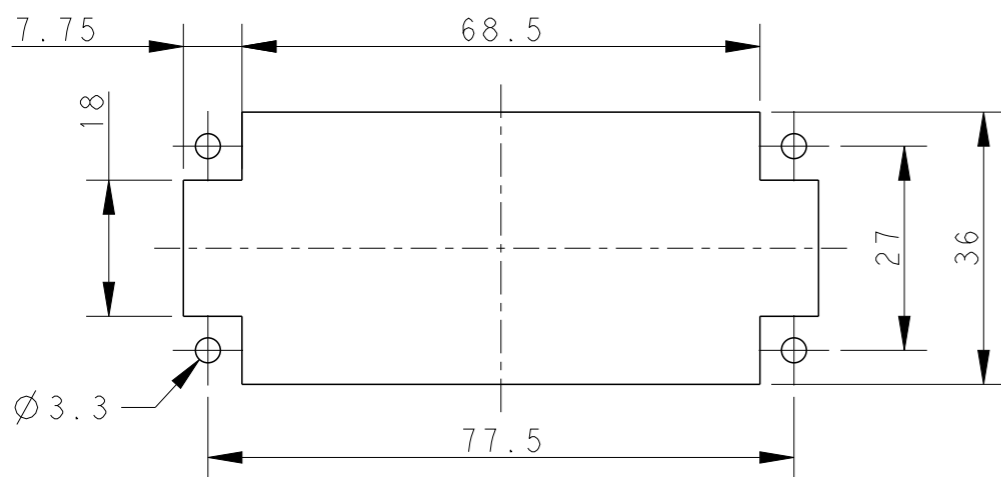
注释:

- 技术参数:
绝缘材料: PC
额定电压: 250V
额定电流: 10A
绝缘电阻: $\geq 400M\Omega$
额定脉冲电压: 4 KV
污染等级: 3
阻燃等级: UL94V-0
插拔次数: 500次
接线范围: 0.14-2.5 mm² (26-14 AWG)
接线类型: 冷压接
- 端子需要单独订购.
(订货号参考图面: T20200X10XX000)


4X M3 SCREW RECOMMENDED
TIGHTENING TORQUE 0.5Nm
4X M3螺丝, 推荐锁紧力矩 0.5Nm



TYPE-1, T2030722101-000, TE LOGO
类型-1, T2030722101-000, TE LOGO



PANEL CUT OUT FOR INSERTS FOR USING
WITHOUT HODDS/HOUSINGS
不用防护外壳时元件的安装开孔图

THIS DRAWING IS A CONTROLLED DOCUMENT.		DWN 29OCT2014 David Wang	 TE Connectivity	
		CHK 29OCT2014 Chris Wang		
DIMENSIONS: mm		APVD 29OCT2014 Xiang Xu	NAME HDD-072-M	
TOLERANCES UNLESS OTHERWISE SPECIFIED:		PRODUCT SPEC 108-137043	RESTRICTED TO	
0 PLC ±- 1 PLC ±- 2 PLC ±- 3 PLC ±- 4 PLC ±- ANGLES ±-		APPLICATION SPEC 114-137043	SIZE A3	CAGE CODE 00779
MATERIAL		WEIGHT	DRAWING NO T2030722101000	
		Customer Drawing	SCALE 1:1	SHEET 1 OF 2
			REV D	

4

3

2

1

THIS DRAWING IS UNPUBLISHED.

RELEASED FOR PUBLICATION

20

© COPYRIGHT 20 BY -

ALL RIGHTS RESERVED.

REVISIONS

P	LTR	DESCRIPTION	DATE	DWN	APVD
-	-	SEE SHEET 1	-	-	-

NOTE:
SEE SHEET 1
注释:
见页 1

TYPE-2, T2030722101-001, STAINLESS STEEL SCREW, NO LOGO
类型-2, T2030722101-001, 不锈钢螺丝, 无LOGO

ALL DIMENSIONS ARE SAME AS TYPE 1,
EXCEPT THOSE DEFINED IN THIS TYPE.
除了在本类型中定义的尺寸外, 其它尺寸同类型 1

T2030722101-001	HDD-072-M	HDD-072 MALE INSERT, STAINLESS STEEL SCREW, NO LOGO HDD-072 公插, 不锈钢螺丝, 无LOGO	TYPE-2 类型-2
T2030722101-000	HDD-072-M	HDD-072 MALE INSERT HDD-072 公插	TYPE-1 类型-1
PART NUMBER 料号	PART DESCRIPTION 描述		TYPE 类型

THIS DRAWING IS A CONTROLLED DOCUMENT.		DWN David Wang 29OCT2014		
DIMENSIONS: mm		CHK Chris Wang 29OCT2014		
TOLERANCES UNLESS OTHERWISE SPECIFIED:		APVD Xiang Xu 29OCT2014	NAME HDD-072-M	
0 PLC ±-		PRODUCT SPEC 108-137043	SIZE	
1 PLC ±-		APPLICATION SPEC 114-137043	CAGE CODE	
2 PLC ±-		WEIGHT	DRAWING NO	
3 PLC ±-		Customer Drawing	RESTRICTED TO	
4 PLC ±-			A300779	
ANGLES ±-			C-T2030722101000	
FINISH			SCALE 1:1	
MATERIAL			SHEET 2 OF 2	
			REV D	

1470-19 (3/13)

Downloaded From Onevac.com

单击下面可查看定价，库存，交付和生命周期等信息

[>>TE Connectivity\(泰科\)](#)