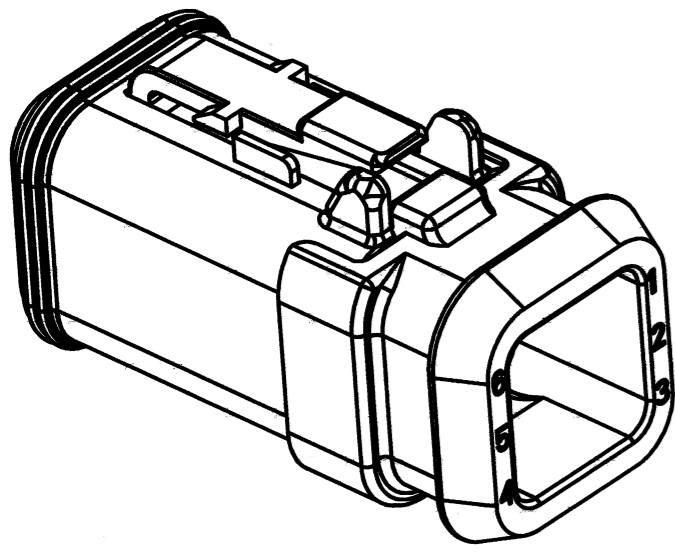
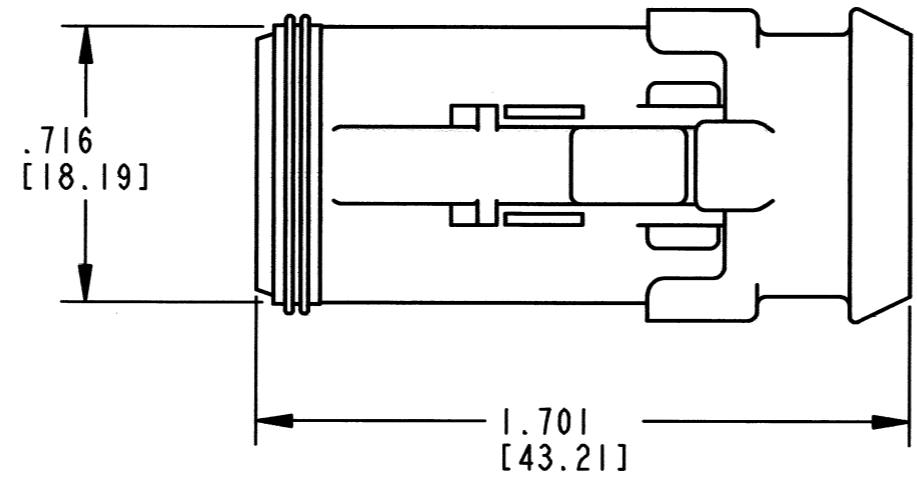


REV  
B DT06-6S-EP11

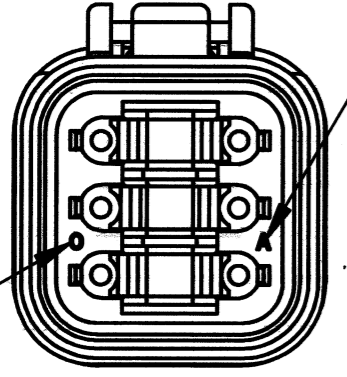
REVISIONS			
SYM	DESCRIPTION	DATE	APPROVED
NC	NEW RELEASE PER E.O. P17214	4/9/01	R.D.R.
A	REVISED PER E.O. P19752	3/17/06	R.D.R.
B	REVISED PER E.O. P20965	6-27-11	RDR



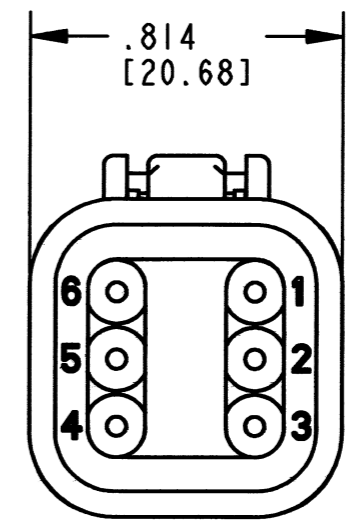
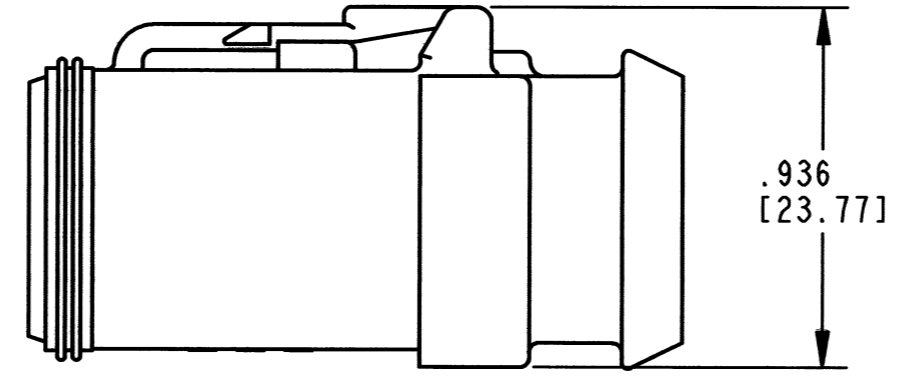
**3-DIMENSIONAL VIEW**



MONTH IS REPRESENTED BY SEQUENTIAL ALPHA CHARACTERS.  
EX: A = JANUARY.



YEAR IS REPRESENTED BY THE LAST DIGIT. EX: 0=2010.



- 5. MATERIAL - SHELL: PLASTIC; SEAL: RUBBER.
  - 4. THIS PLUG MATES WITH DT04-6P-\*\*\*\* RECEPTACLE. (\*\*\*\*=ALL MODIFICATIONS). CONSULT FACTORY FOR MODIFICATION.
  - 3. FOR CONTACTS AND WIRE PERFORMANCE AND APPLICATION CHARACTERSTICS SEE ENVELOPE DRAWING 0425-015-0000 AND 0425-017-0000.
  - 2. DIMENSIONS ARE ±.025[0.63] UNLESS OTHERWISE SPECIFIED.
  - 1. DIMENSIONS ARE IN INCHES [MILLIMETERS].
- NOTES:

CONTACT SIZE	MIN. INSUL O.D.	MAX. INSUL. O.D.	WIRE RANGE [mm <sup>2</sup> ]
16	.088 [2.23]	.145 [3.68]	14-20 AWG [2.0-0.5]

SIGNATURE & DATE	
DR	S ZERMENO 6/9/11
CHK	D. Byford 6/27/2011
PE	H. Moser 6/9/11
APPD	S. Brand 6/29/11
SCALE	NONE WT

**6 WAY PLUG  
SEAL RETENTION  
W/ EXTENDED CAP  
COLOR:BLACK  
DT SERIES**

ENVELOPE

EP	MATL. CODE
3850 INDUSTRIAL AVE. HEMET, CA 92545	
<b>B</b>	<b>DT06-6S-EP11</b>
DWG SIZE	CODE 11139 SHEET   OF

单击下面可查看定价，库存，交付和生命周期等信息

[>>TE Connectivity\(泰科\)](#)