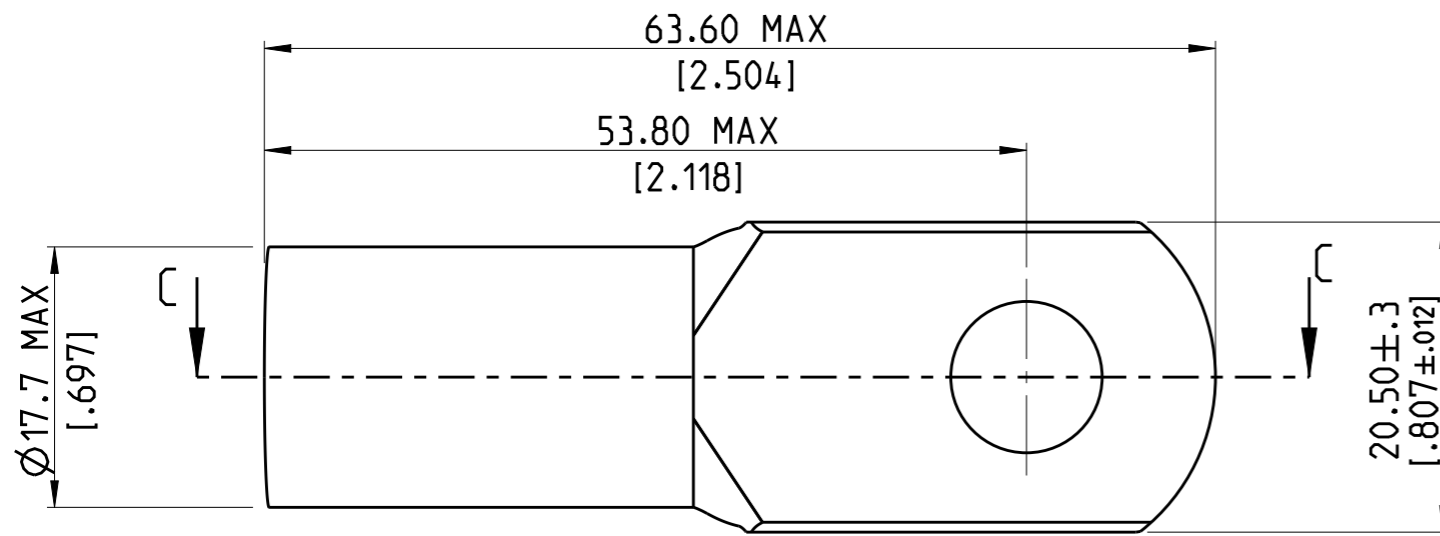


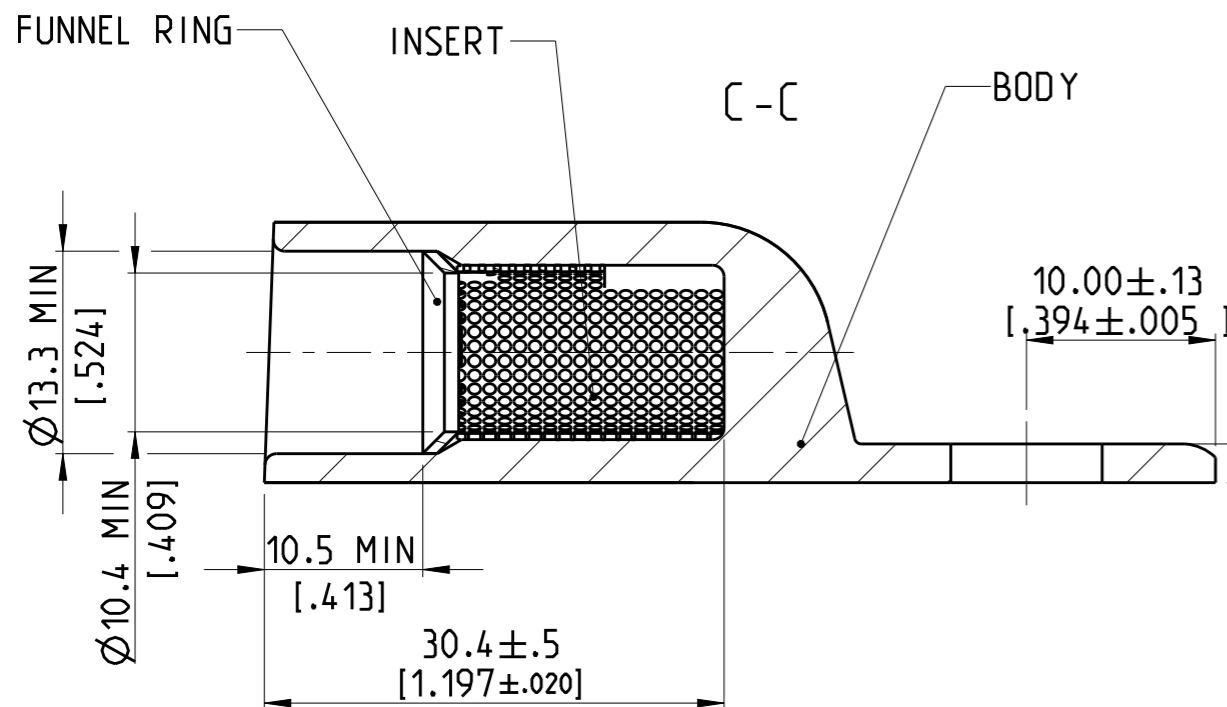
P	LTR	DESCRIPTION	DATE	DWN	APVD
	M	REVISED PER ECO-20-002238	7-21-20	CT	PD



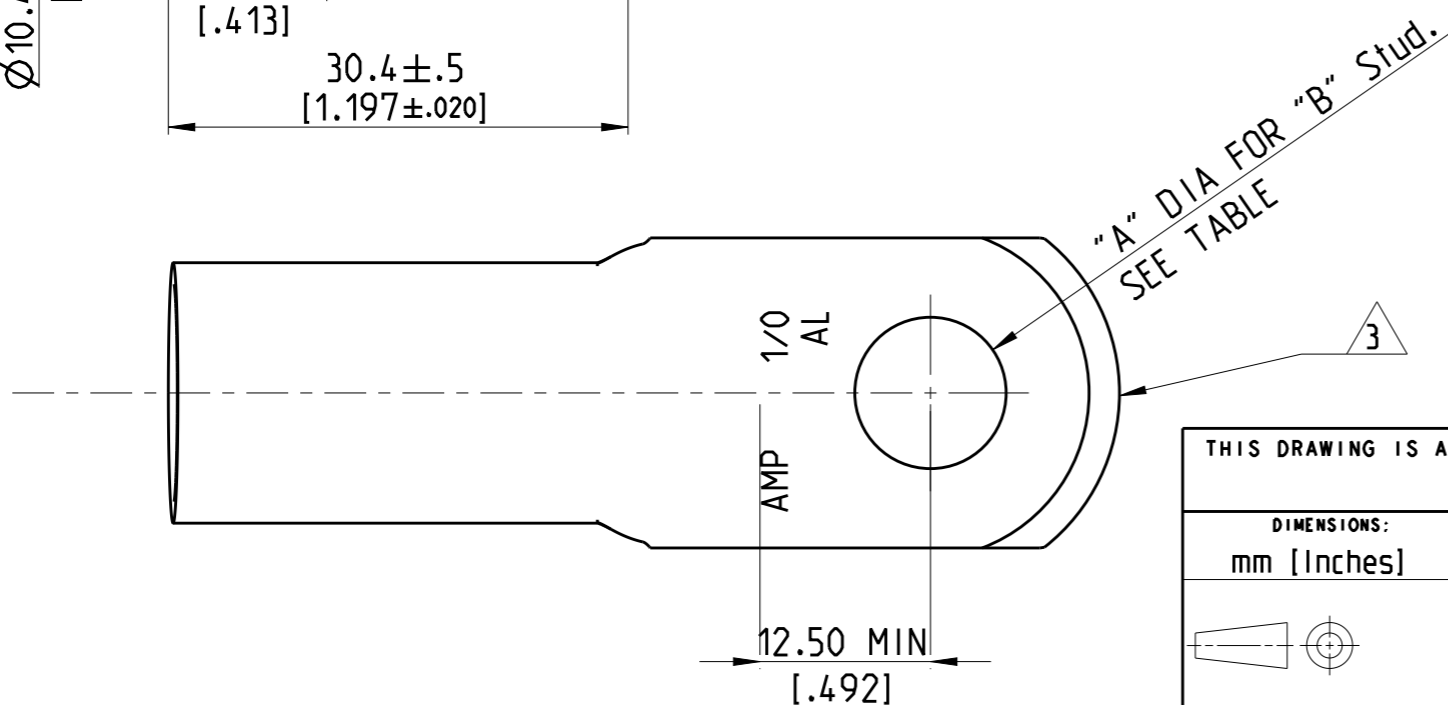
1 WIRE INSULATION: 10.8[.425]-11.9[.469]

2 WIRE CMA: 83700 to 119500

3 THE TONGUE RADIUS FEATURE IS NOT A TOOLING CONTROLLED DIMENSION AND MAY NOT BE A TRUE RADIUS.

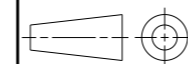


56 grams	8.34 ± 0.13 [1.328 ± .005]	5/16 or M8	BODY: COPPER ASTM B187 ANNEALED TIN PLATE .00381[.000150] MIN THICK PER MIL-T-10727	134452-1
WEIGHT	DIM A	B	MATERIAL&FINISH	PART NUMBER
			INSERT&FUNNEL:BRASS ASTM B36 NICKEL PLATE SAE AMS QQ-N-290A, DATED JULY 2000..00254 [1.000100] MIN THICK	



THIS DRAWING IS A CONTROLLED DOCUMENT.

DIMENSIONS:  
mm [Inches]



MATERIAL  
TABLE

TOLERANCES UNLESS OTHERWISE SPECIFIED:

0 PLC	±0.3
1 PLC	±0.3
2 PLC	±0.13
3 PLC	±
4 PLC	±
ANGLES	±5

FINISH  
TABLE

DWN JJ. DESPREZ 23JUN2004

CHK G-ROBERT 23JUN2004

APVD Y. PETRONIN 23JUN2004

PRODUCT SPEC

APPLICATION SPEC

WEIGHT

CUSTOMER DRAWING

NAME  
SEALED COPALUM  
ASSEMBLY, 1/0, ALU

SIZE  
A3

CAGE CODE

DRAWING NO

C-134452

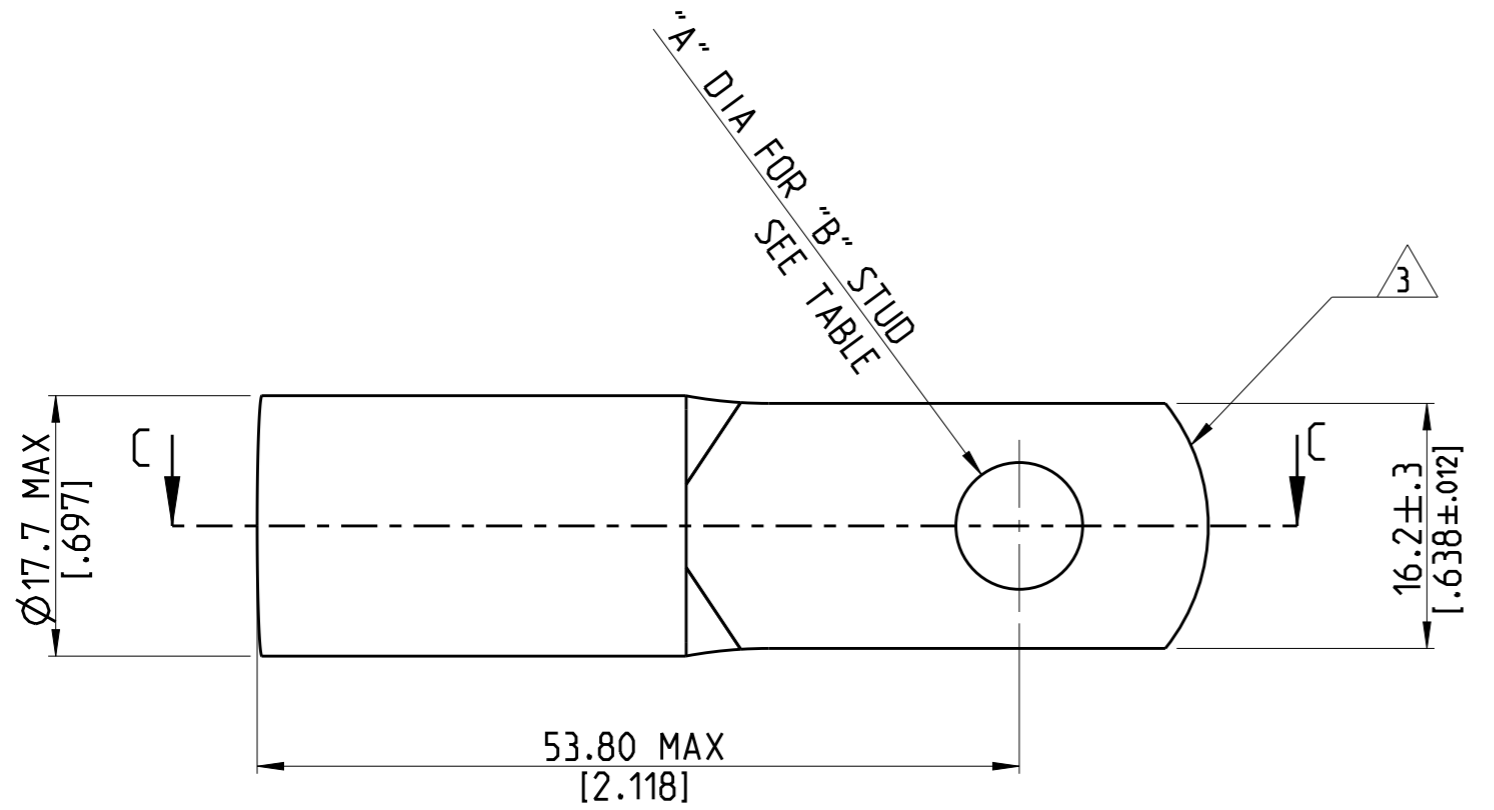
SCALE  
2:1

SHEET  
1 OF 2

REV  
M

**TE** TE Connectivity

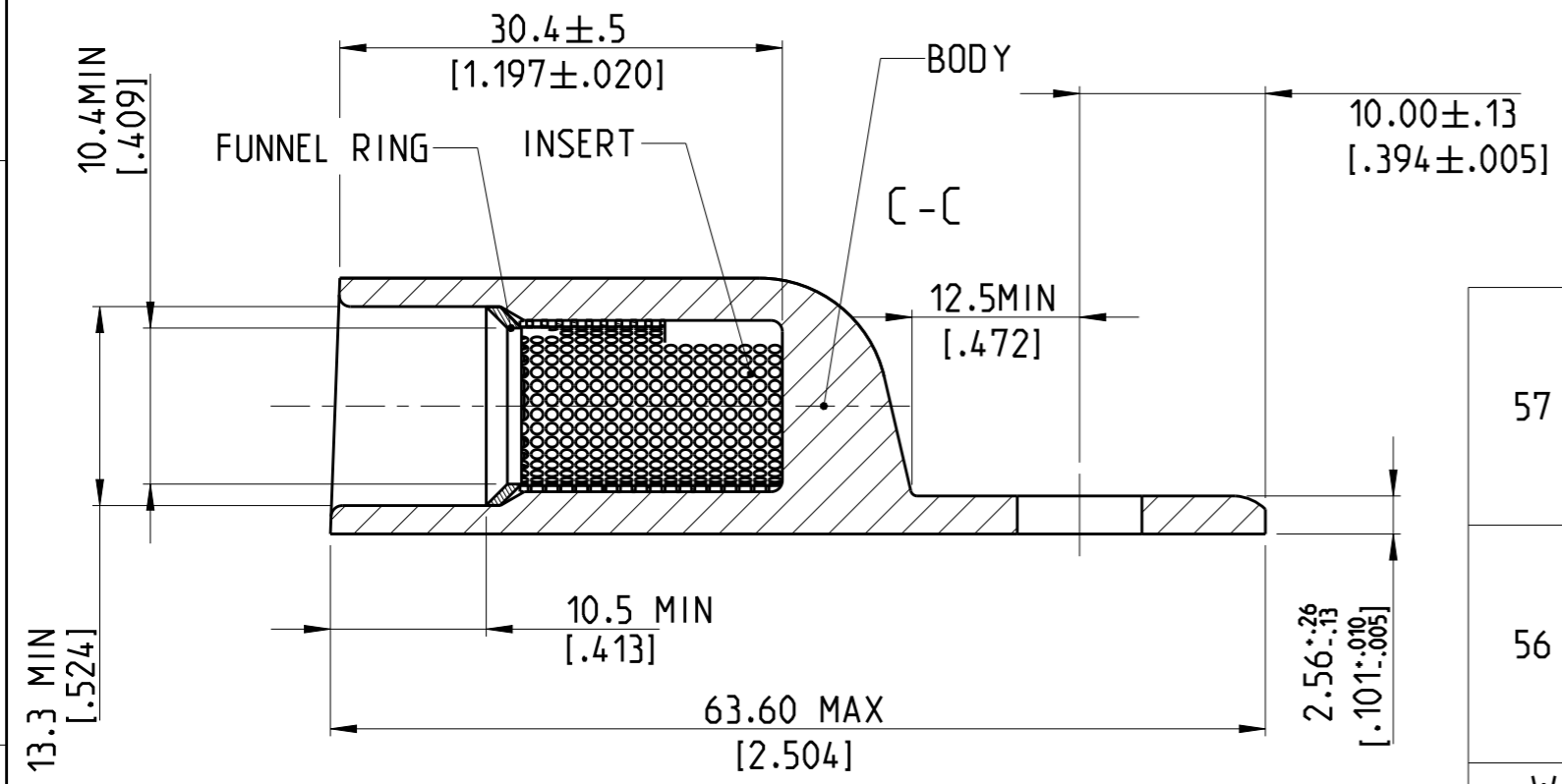
P	LTR	DESCRIPTION	DATE	DWN	APVD
-		SEE SHEET 1	-	-	-



1 WIRE INSULATION: 10.8[.425]-.11.9[.469]

2 WIRE CMA: 83700 to 119500

3 THE TONGUE RADIUS FEATURE IS NOT A TOOLING CONTROLLED DIMENSION AND MAY NOT BE A TRUE RADIUS.



WEIGHT	DIM A	B	MATERIAL&FINISH	PART NUMBER
57 GRAMS	6.73 ± 0.13 [.265 ± 0.005]	1/4 or M6	BODY: COPPER ASTM B187 ANNEALED TIN PLATE .00381[.000150] MIN THICK PER MIL-T-10727	134452-3
56 GRAMS	8.34 ± 0.13 [.328 ± 0.005]	5/16 or M8	INSERT&FUNNEL:BRASS ASTM B36 NICKEL PLATE SAE AMS QQ-N-290A, DATED JULY 2000..00254 [.000100] MIN THICK	134452-2

THIS DRAWING IS A CONTROLLED DOCUMENT.

DIMENSIONS: mm[Inches]	TOLERANCES UNLESS OTHERWISE SPECIFIED:
	0 PLC ±0.3 1 PLC ±0.3 2 PLC ±0.13 3 PLC ± 4 PLC ± ANGLES ±5
MATERIAL TABLE	FINISH TABLE

DWN JJ. DESPREZ 23JUN2004	CHK G-ROBERT 23JUN2004	APVD Y. PETRONIN 23JUN2004
PRODUCT SPEC		
APPLICATION SPEC		
WEIGHT		
CUSTOMER DRAWING		

**TE** TE Connectivity

**NAME**  
SEALED COPALUM ASSEMBLY, 1/0, ALU

SIZE A3	CAGE CODE -	DRAWING NO C-134452	RESTRICTED TO
------------	----------------	------------------------	---------------

SCALE 2:1 SHEET 2 OF 2 REV M

单击下面可查看定价，库存，交付和生命周期等信息

[>>TE Connectivity\(泰科\)](#)