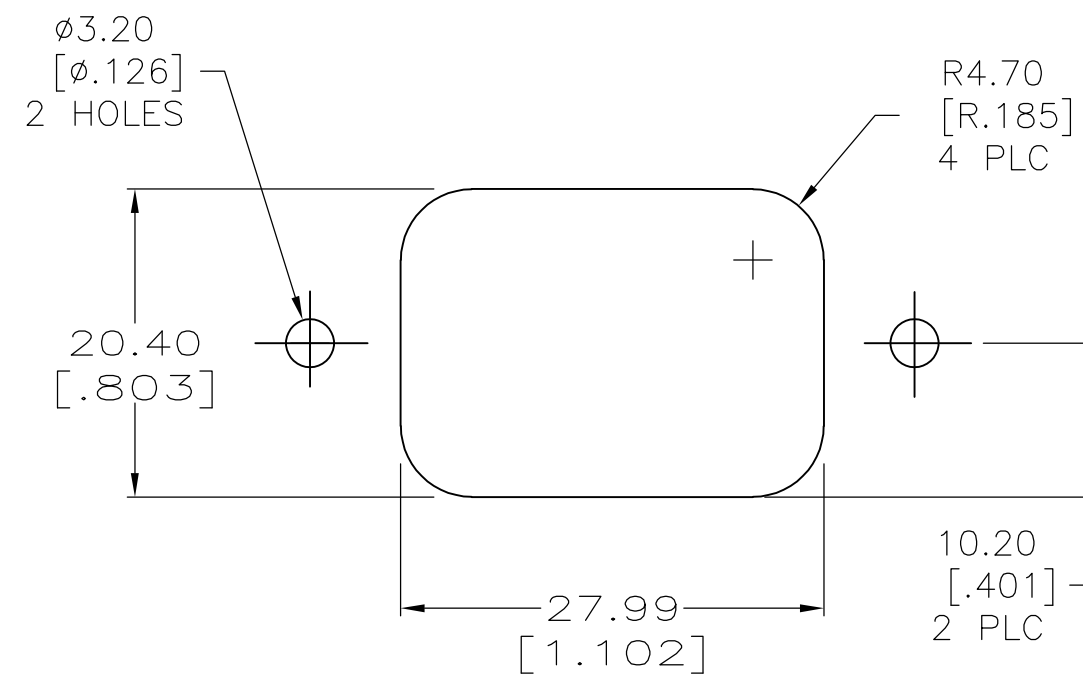
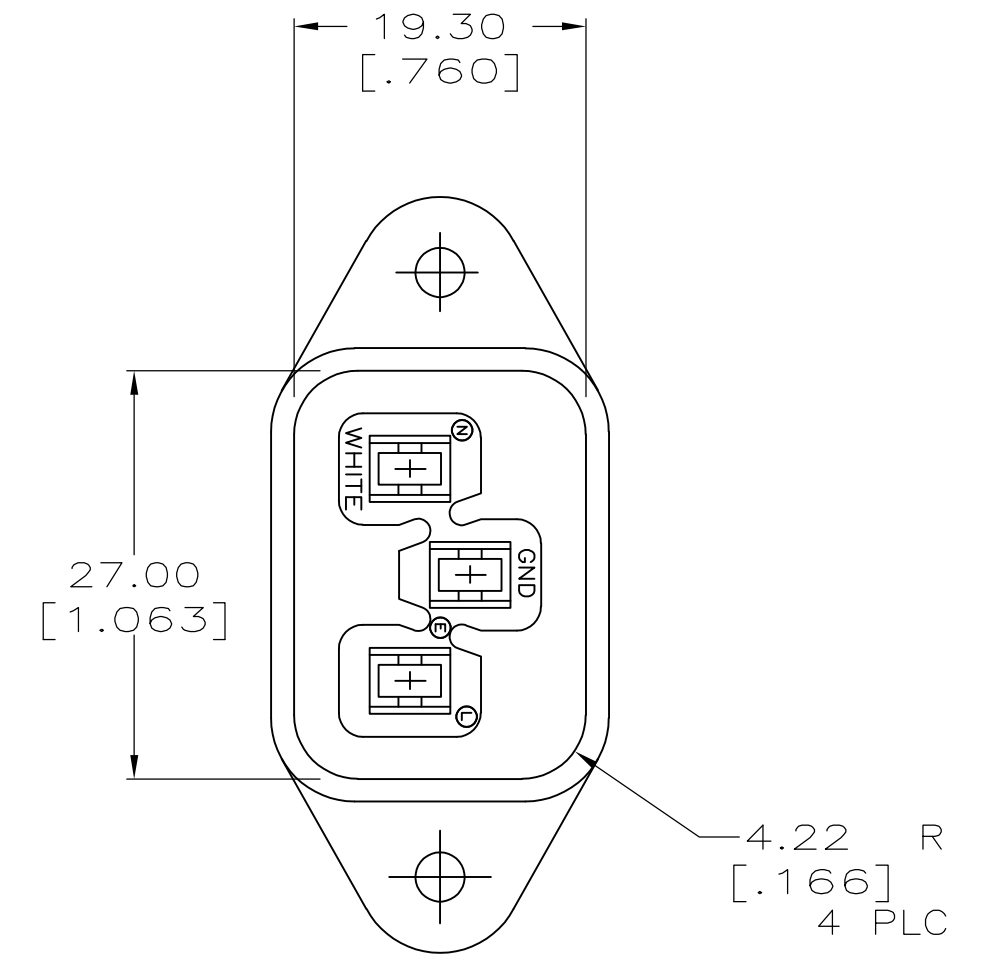
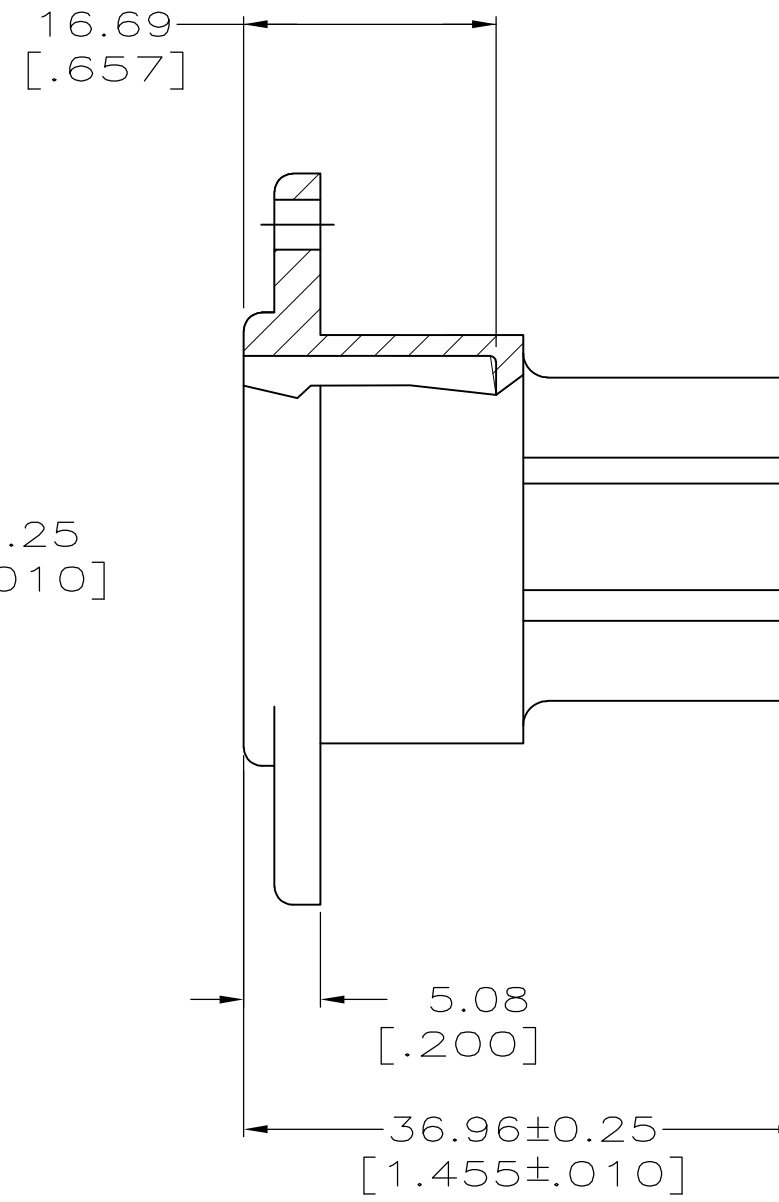
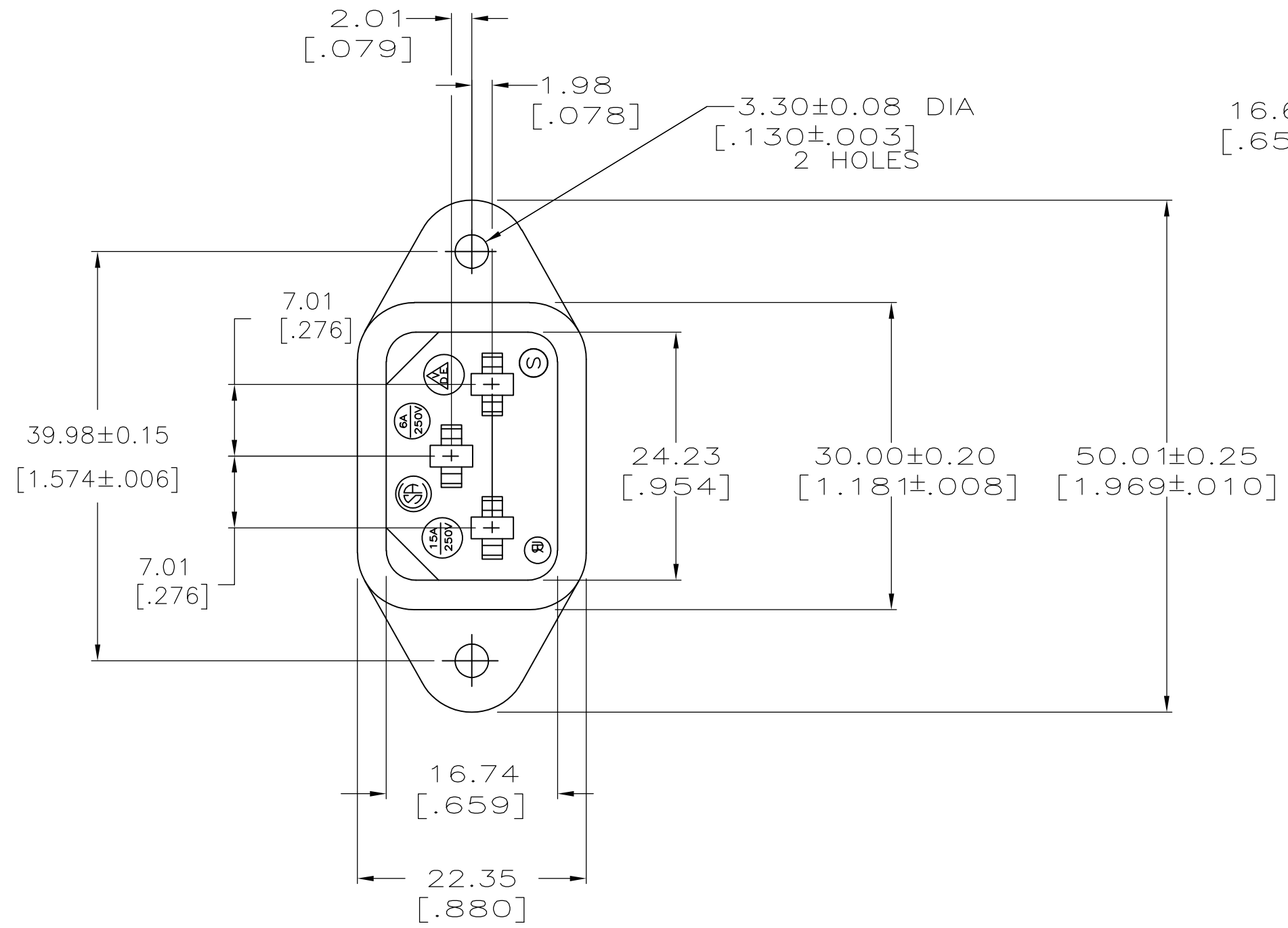


THIS DRAWING IS UNPUBLISHED. RELEASED FOR PUBLICATION
 © COPYRIGHT - By - ALL RIGHTS RESERVED.

LOC	DIST	REVISIONS			
P	LTR	DESCRIPTION	DATE	DWN	APVD
FT	0	M1	REVISED PER ECO-11-005027	11MAR11	RK HMR



RECOMMENDED PANEL OPENING

1 MATERIAL: PLYESTER, UL94V-0 RATED, GLASS FILLED, BLACK.

THIS DRAWING IS A CONTROLLED DOCUMENT.		DWN H.MOLL 04-18-91		
DIMENSIONS: mm		CHK R.STONE 05-09-91		
TOLERANCES UNLESS OTHERWISE SPECIFIED:		APVD -	NAME	
0 PLC ± -		PRODUCT SPEC -	RECEPTACLE, POWER CORD	
1 PLC ± -		APPLICATION SPEC -	SIZE A2	CAGE CODE 00779
2 PLC ± 0.13[.005]		WEIGHT -	DRAWING NO C=206637	RESTRICTED TO -
3 PLC ± -		CUSTOMER DRAWING		
4 PLC ± -		SCALE 2:1	SHEET 1 of 1	REV M1
ANGLES ± -				
FINISH -				

206637

206637-1
PART NUMBER

单击下面可查看定价，库存，交付和生命周期等信息

[>>TE Connectivity\(泰科\)](#)