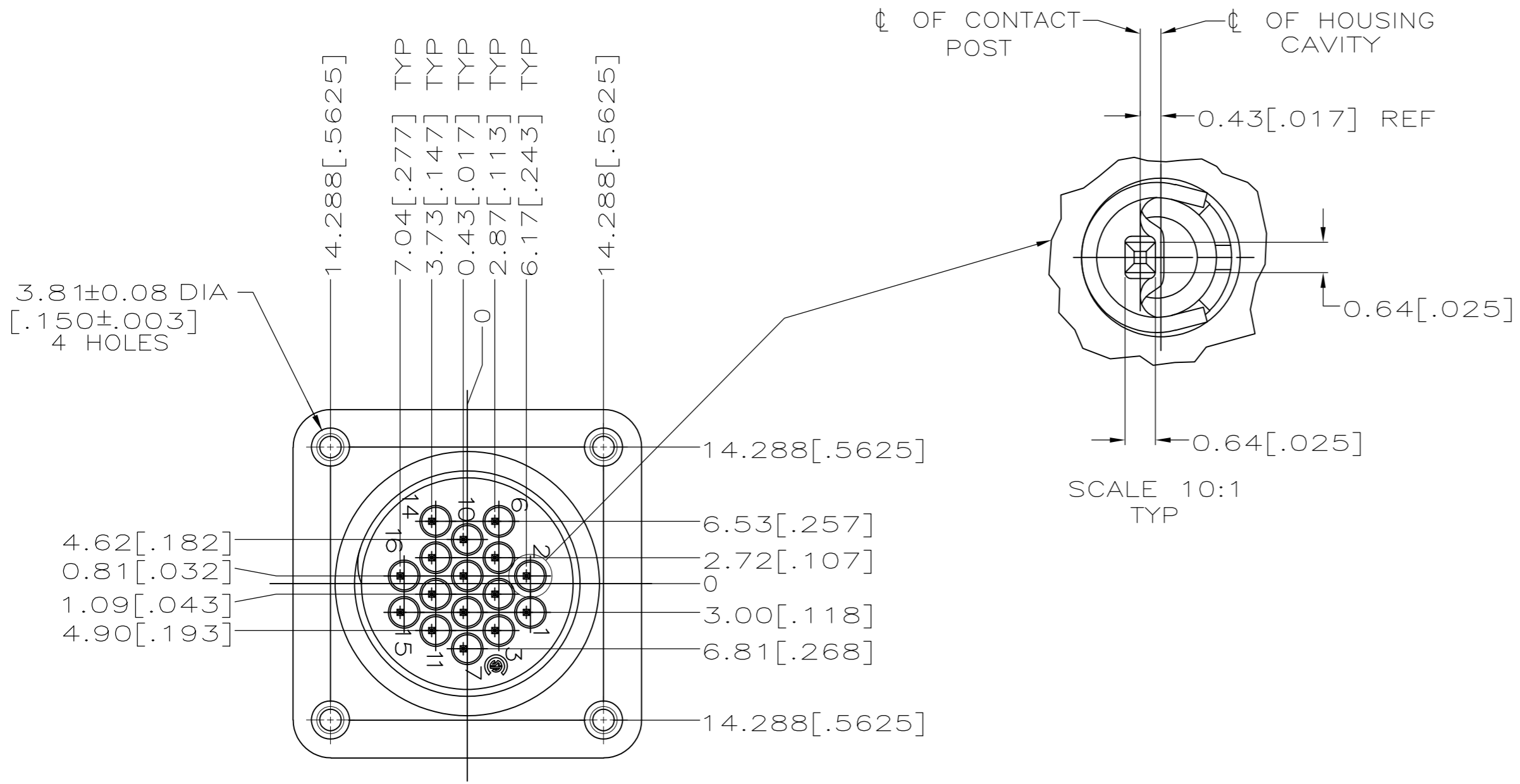
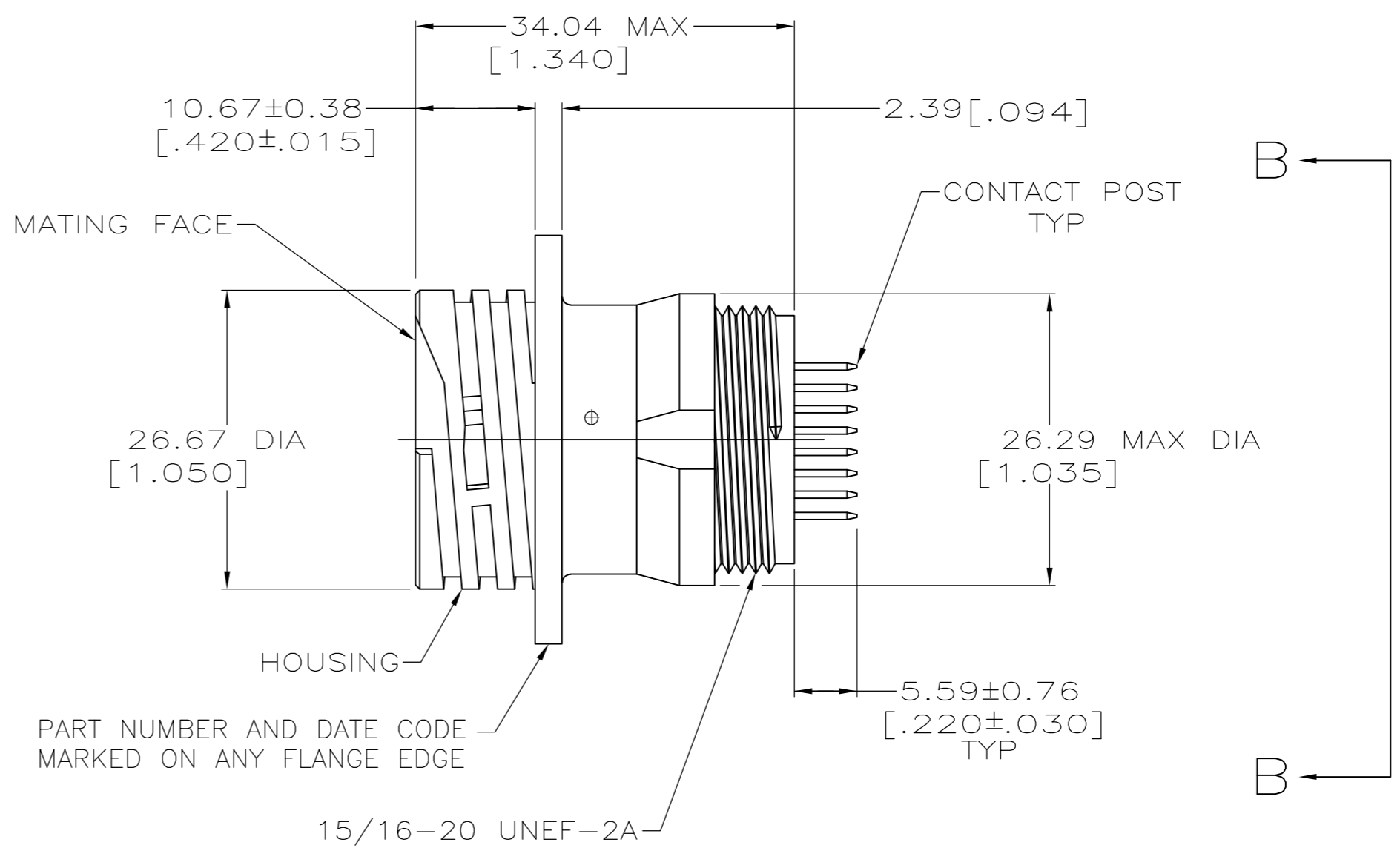
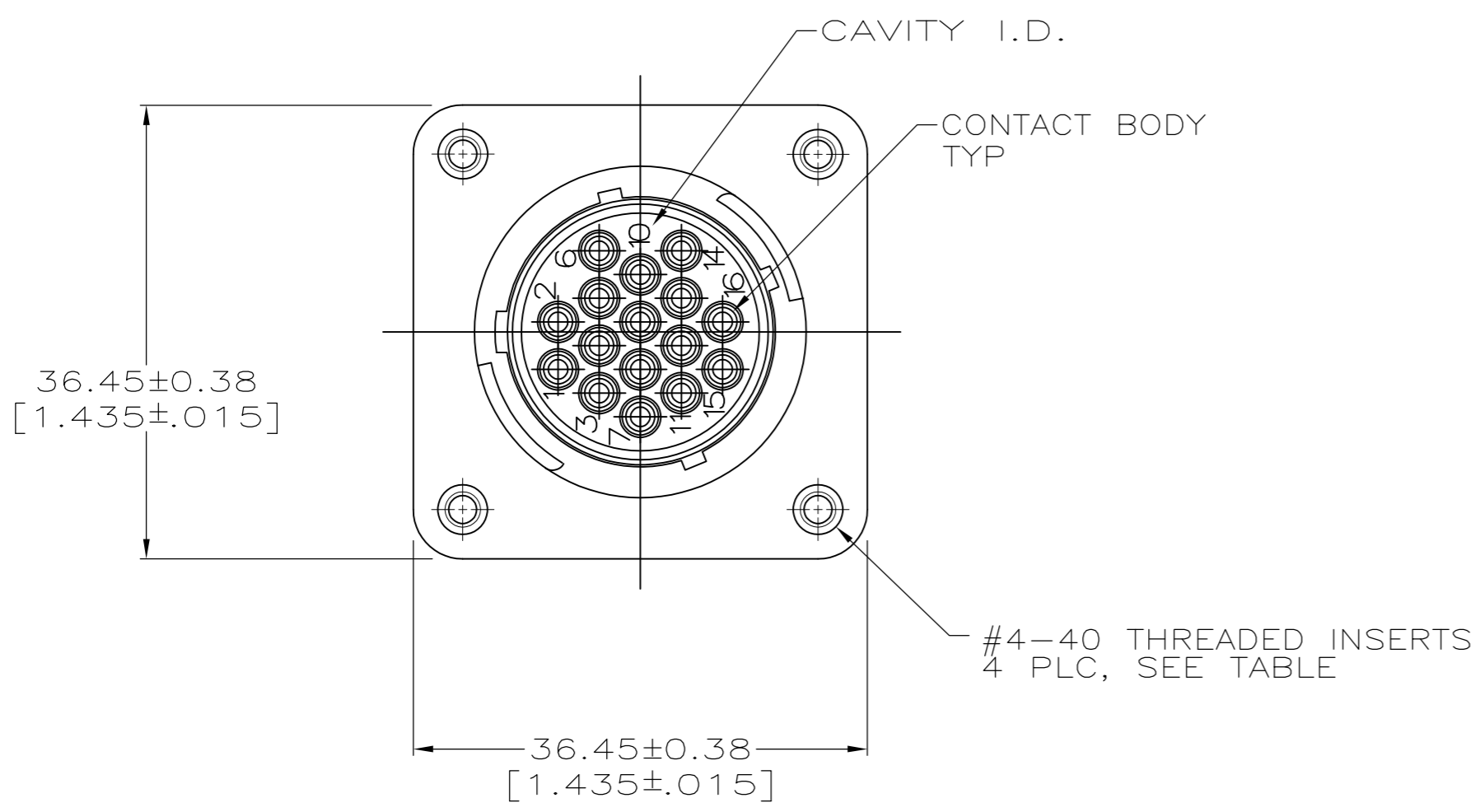


THIS DRAWING IS UNPUBLISHED. RELEASED FOR PUBLICATION
 © COPYRIGHT - By - ALL RIGHTS RESERVED.

LOC		DIST		REVISIONS			
P	LTR	DESCRIPTION	DATE	DWN	APVD		
FT	0						
	D	REVISED PER ECO-12-015665	26SEP12	KH	MZ		



- 1 NYLON, UL 94V-0 RATED, BLACK.
- 2 STAINLESS STEEL.
- 3 BRASS.
- 4 CONTACT BODY: 0.76um [.000030] MIN GOLD FOR A LENGTH OF 5.08 [.200] MIN FROM MATING END. GOLD FLASH ON REMAINDER, BOTH OVER 1.27um [.000050] MIN NICKEL. CONTACT POST: 2.54um [.000100] MIN TIN-LEAD OVER 1.27um [.000050] MIN NICKEL.
- 5 RECOMMENDED PC BOARD HOLE SIZE FOR CONTACT POST = 0.89 ± 0.08 [.035 ± .003] DIA..
- 6 CONTACT BODY: 0.76um [.000030] MIN GOLD FOR A LENGTH OF 5.08 [.200] MIN FROM MATING END. GOLD FLASH ON REMAINDER, BOTH OVER 1.27um [.000050] MIN NICKEL. CONTACT POST: 2.54um [.000100] MIN TIN OVER 1.27um [.000050] MIN NICKEL.
- 7 OBSOLETE PARTS: OBSOLETE CIS STREAMLINING PER D.RENAUD/D.SINISI

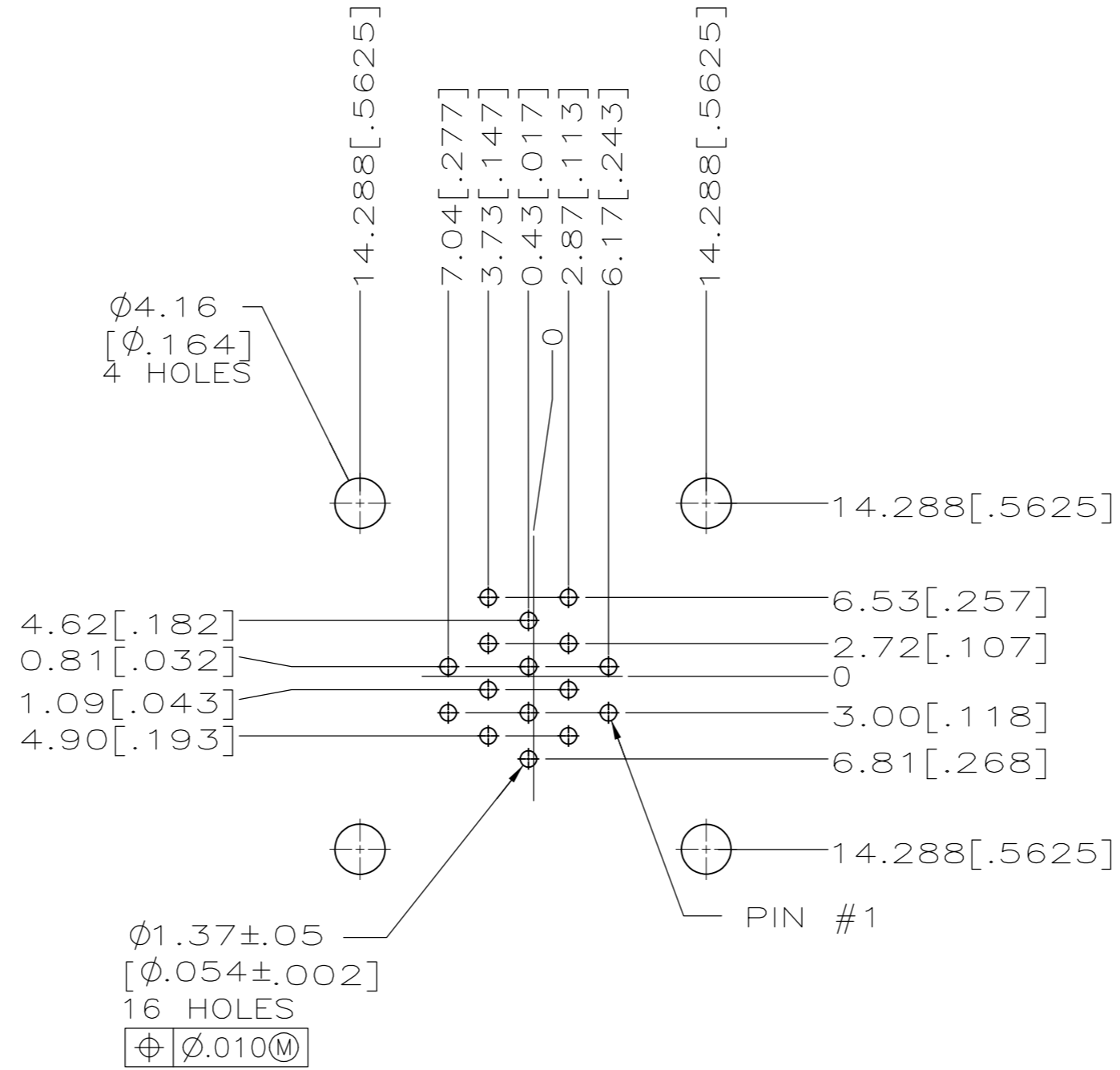
FINISH	THREADED INSERTS	PART NUMBER
6	YES	213855-4
6	NO	213855-3
4	YES	213855-2
4	NO	213855-1

THIS DRAWING IS A CONTROLLED DOCUMENT.

DWN: D.HARDY 01-03-95	TE Connectivity
CHK: R.STONE 01-09-95	
APVD: -	NAME: -
PRODUCT SPEC: 108-10024	RECEPTACLE ASSEMBLY, POSTED, STANDARD SEX, 17-16, CPC
APPLICATION SPEC: 114-10038	SIZE: A2 CAGE CODE: 00779 DRAWING NO: C=213855
MATERIAL HOUSING: 1 CONTACT SPRING: 2 CONTACT BODY & POST: 3	RESTRICTED TO: -
FINISH: -	CUSTOMER DRAWING SCALE: 2:1 SHEET: 1 OF 2 REV: D

THIS DRAWING IS UNPUBLISHED. RELEASED FOR PUBLICATION
 © COPYRIGHT - By - ALL RIGHTS RESERVED.

LOC	DIST	REVISIONS					
FT	0	P	LTR	DESCRIPTION	DATE	DWN	APVD
		-	-	SEE SHEET 1	-	-	-



RECOMMENDED P.C. BOARD LAYOUT

THIS DRAWING IS A CONTROLLED DOCUMENT.		DWN	01-03-95	STE TE Connectivity
		CHK	01-09-95	
DIMENSIONS: mm [INCHES]		TOLERANCES UNLESS OTHERWISE SPECIFIED:		NAME
		0 PLC	± -	RECEPTACLE ASSEMBLY, POSTED, STANDARD SEX, 17-16, CPC
		1 PLC	± -	
		2 PLC	± 0.25 [.010]	
		3 PLC	± -	
MATERIAL HOUSING:		FINISH:		SIZE
CONTACT SPRING:		CONTACT:		CAGE CODE
CONTACT BODY & POST:				DRAWING NO
				RESTRICTED TO
				SCALE
				SHEET
				REV

单击下面可查看定价，库存，交付和生命周期等信息

[>>TE Connectivity\(泰科\)](#)