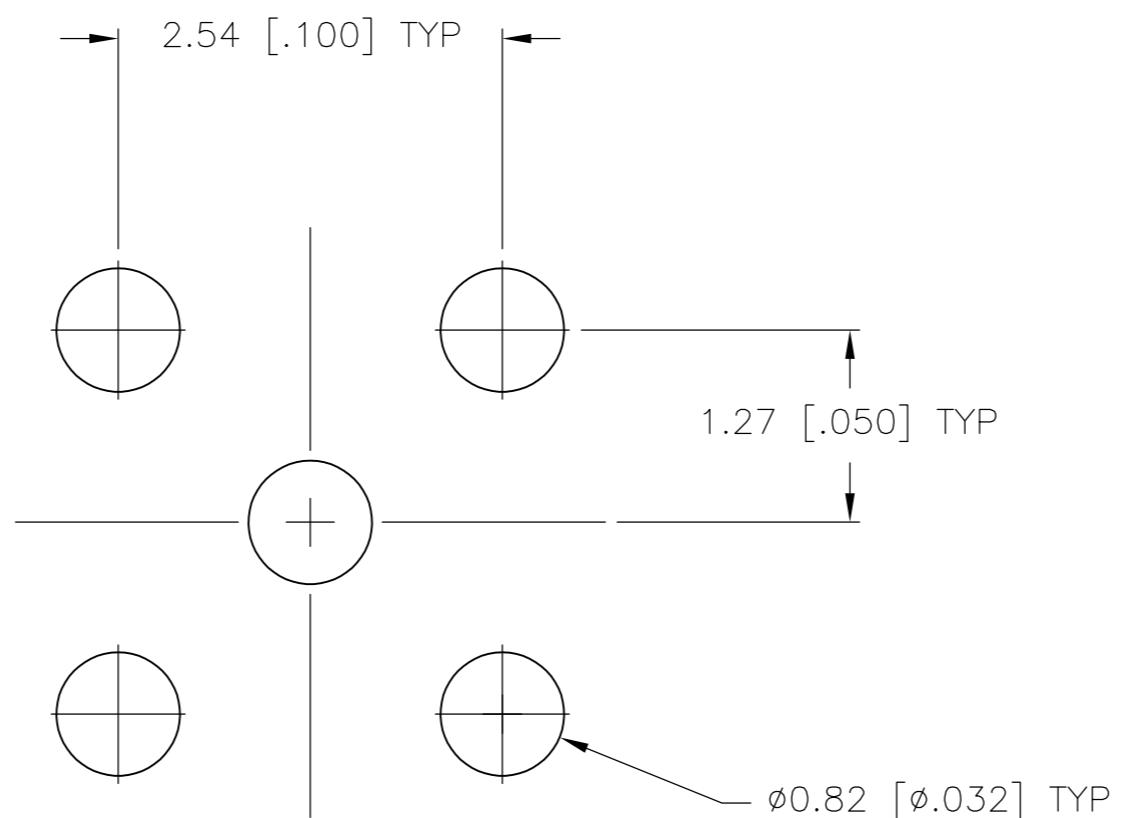
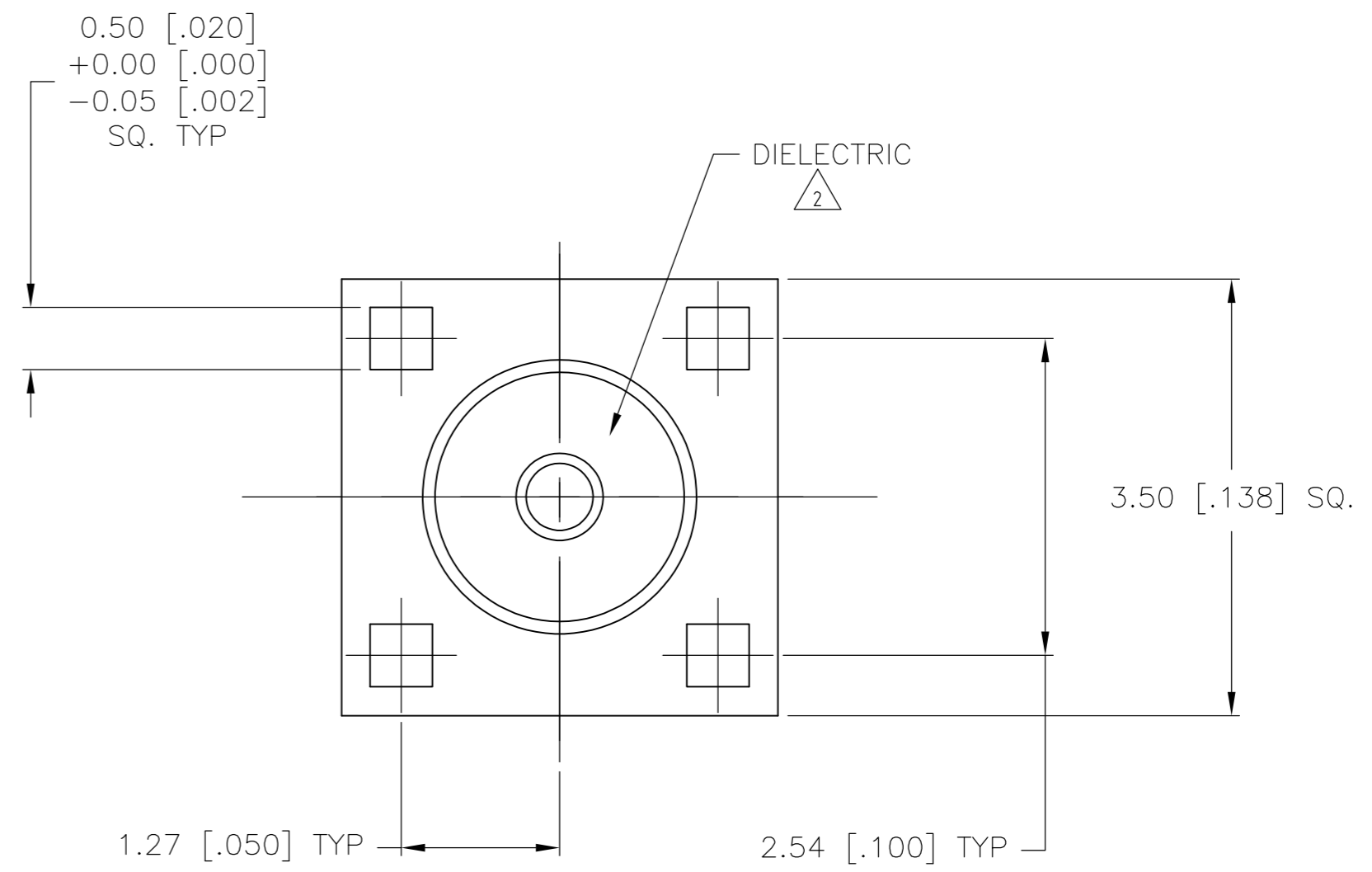
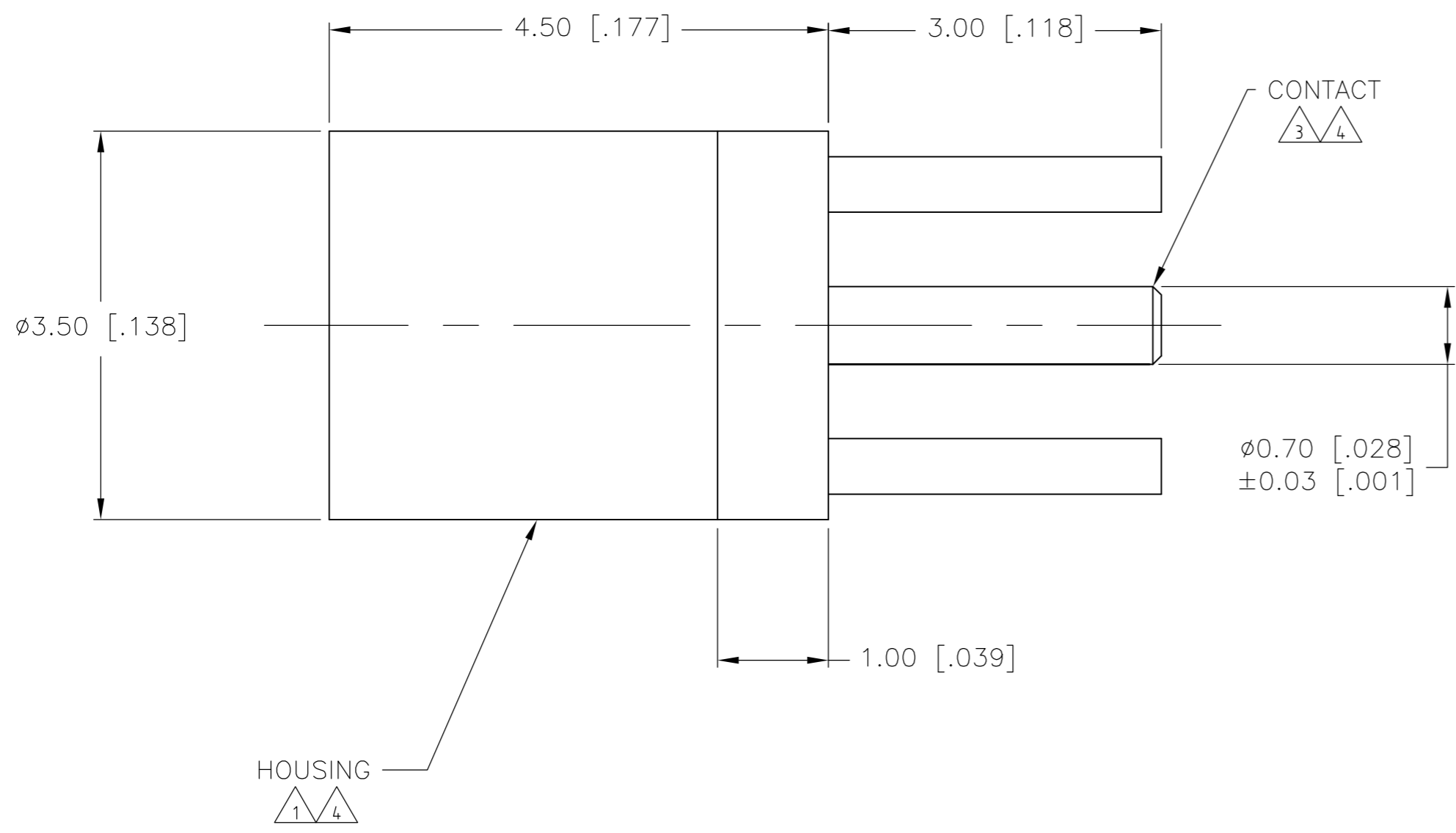


THIS DRAWING IS UNPUBLISHED. RELEASED FOR PUBLICATION
 © COPYRIGHT - By - ALL RIGHTS RESERVED.

LOC		DIST		REVISIONS			
P	LTR	DESCRIPTION		DATE	DWN	APVD	
		C1		REVISED PER ECO-11-005030	11MAR11	RK	HMR



RECOMMENDED PCB LAYOUT
 TOLERANCE: ± 0.08 [.003]

- 1 BRASS PER ASTM-B-16
- 2 PTFE PER ASTM-D-1710
- 3 BERYLLIUM COPPER PER ASTM-B-196
- 4 GOLD PLATE PER MIL-G-45204

1408150-1
 PART NUMBER

THIS DRAWING IS A CONTROLLED DOCUMENT.		DWN	18DEC01	TE Connectivity NAME MMCX STRAIGHT PCB JACK	
DIMENSIONS: mm[INCHES]		CHK	18DEC01		
TOLERANCES UNLESS OTHERWISE SPECIFIED:		APVD	18DEC01		
0 PLC ± - 1 PLC ± - 2 PLC ± 0.15 [.006] 3 PLC ± - 4 PLC ± - ANGLES ± 5°		FINISH	-		
MATERIAL		WEIGHT 0.45g/.016oz		SIZE	A2
		CUSTOMER DRAWING		CAGE CODE	00779
				DRAWING NO	C=1408150
				RESTRICTED TO	-
				SCALE	20:1
				SHEET	1 of 1
				REV	C1

单击下面可查看定价，库存，交付和生命周期等信息

[>>TE Connectivity\(泰科\)](#)