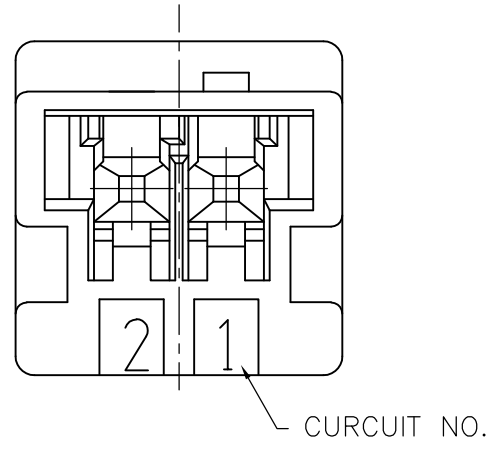
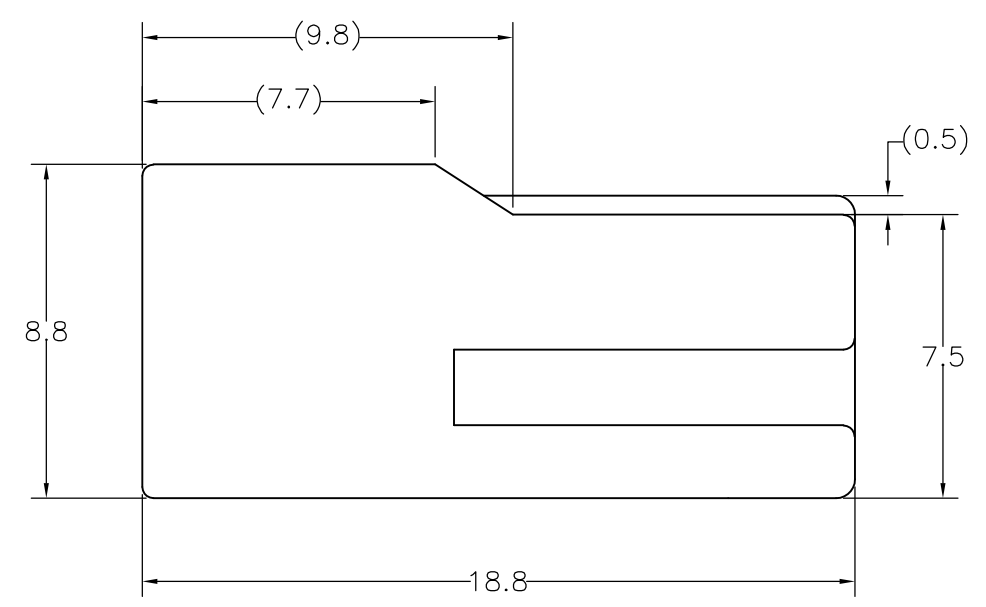
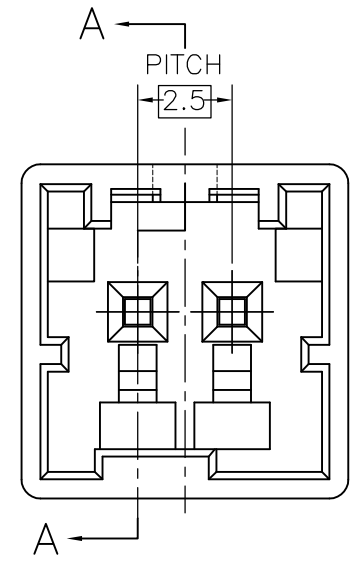
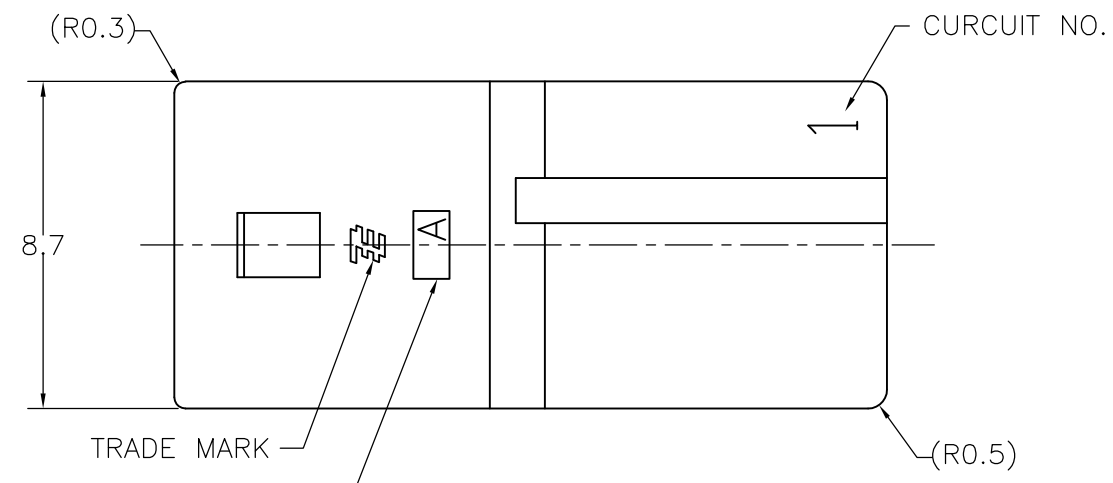
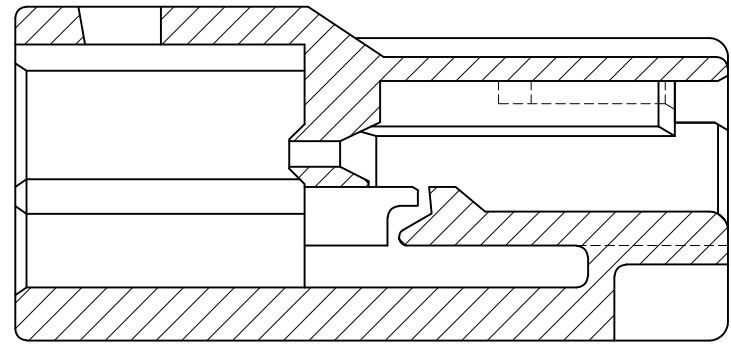
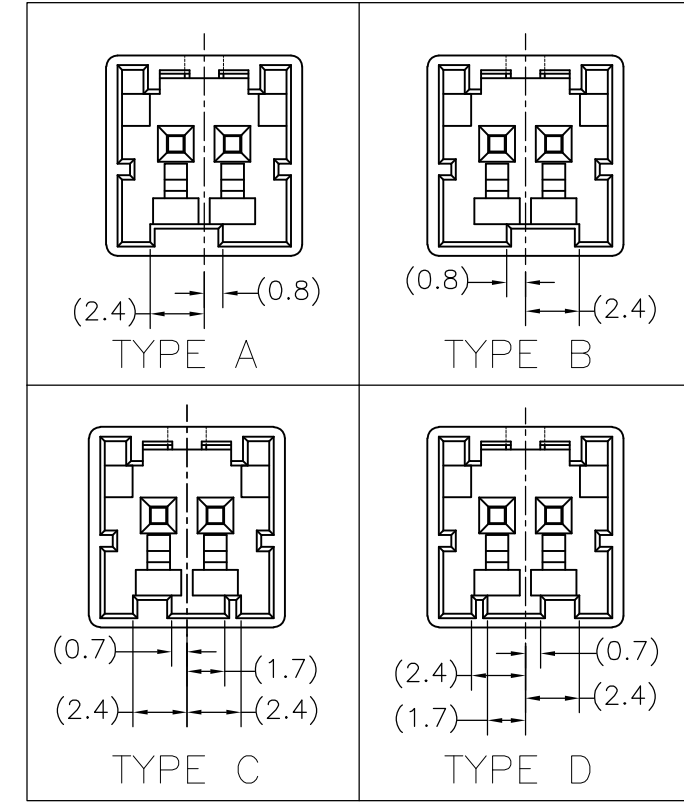


THIS DRAWING IS UNPUBLISHED. RELEASED FOR PUBLICATION
 © COPYRIGHT BY TYCO ELECTRONICS CORPORATION. ALL RIGHTS RESERVED.

LOC	DIST	REVISIONS					
J	—	P	LTR	DESCRIPTION	DATE	DWN	APVD
			B1	REVISED PER ECR-10-019980	04OCT10	HMR	TM



TYPE OF KEYING



断面 A-A
SECT A-A

注記
 1. 一般公差: ±0.3
 △ 材料PBTガラス強化(UL94V-0)
 ⊕ かん合相手製品型番
 プラグハウジング: TABLE参照のこと
 タブコンタクト: 917764, 917765

NOTE
 1. GENERAL TOLERANCE: ±0.3
 △ MATERIAL: PBT GLASS FILLED (UL94V-0)
 ⊕ MATING CONN. P/N
 PLUG HOUSING: SEE TABLE
 TAB CONTACT: 917764, 917765

4-1903388-2	TYPE B	BLACK 黒色	4-1903391-2
3-1903388-4	TYPE D	YELLOW 黄色	3-1903391-4
2-1903388-3	TYPE C	BLUE 青色	2-1903391-3
1-1903388-2	TYPE B	RED 赤色	1-1903391-2
1903388-1	TYPE A	NATURAL 自然色	1903391-1
⊕ かん合相手型番 MATING HSG P/N	キーイング形状 TYPE OF KEYING	色調 COLOR	型番 PART NUMBER

THIS DRAWING IS A CONTROLLED DOCUMENT.		DWN J. SATO 31OCT05	Tyco Electronics AMP K.K. Kawasaki, Japan	
DIMENSIONS: 単位: 耗 mm		CHK T. HATANO 31OCT05	NAME 名称 GRACE INERTIA CONNECTOR 2.5 W CAP HOUSING 2P	
TOLERANCES UNLESS OTHERWISE SPECIFIED: 一般公差		APVD N. YAMASAKI 31OCT05	PRODUCT SPEC 製品規格 108-78350	
0 PLC ± 1 PLC ± 2 PLC ± 3 PLC ± 4 PLC ± ANGLES ±		APPLICATION SPEC 取付適用規格	SIZE A3	CAGE CODE 00779
MATERIAL 材料 SEE NOTE △		FINISH 仕上	DRAWING NO 番号 G-1903391	RESTRICTED TO —
WEIGHT		CUSTOMER DRAWING		SCALE 尺度 5:1
		SHEET 1 OF 1		REV B1

单击下面可查看定价，库存，交付和生命周期等信息

[>>TE Connectivity\(泰科\)](#)