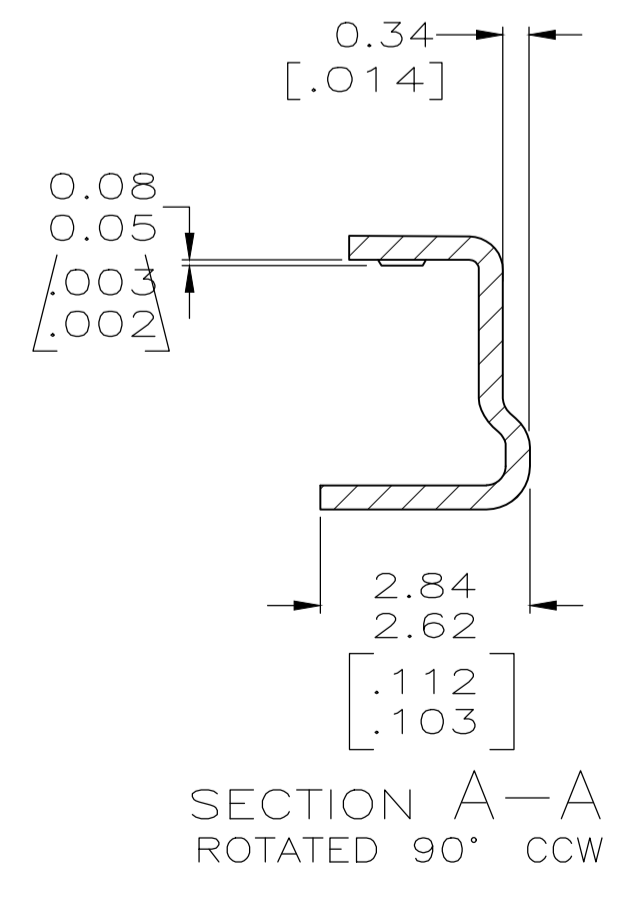
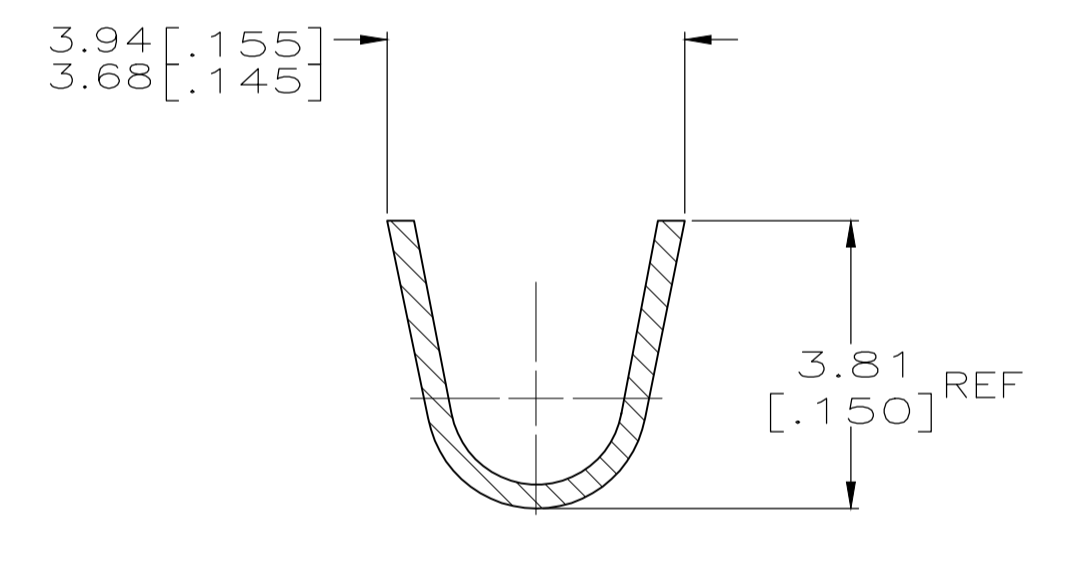
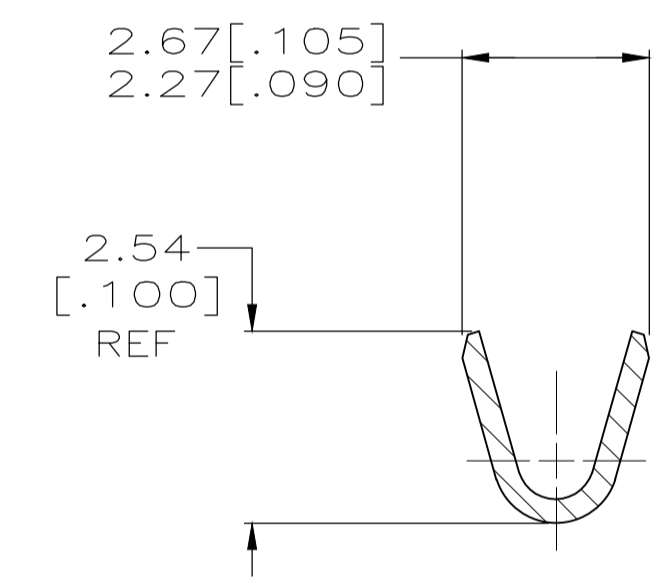
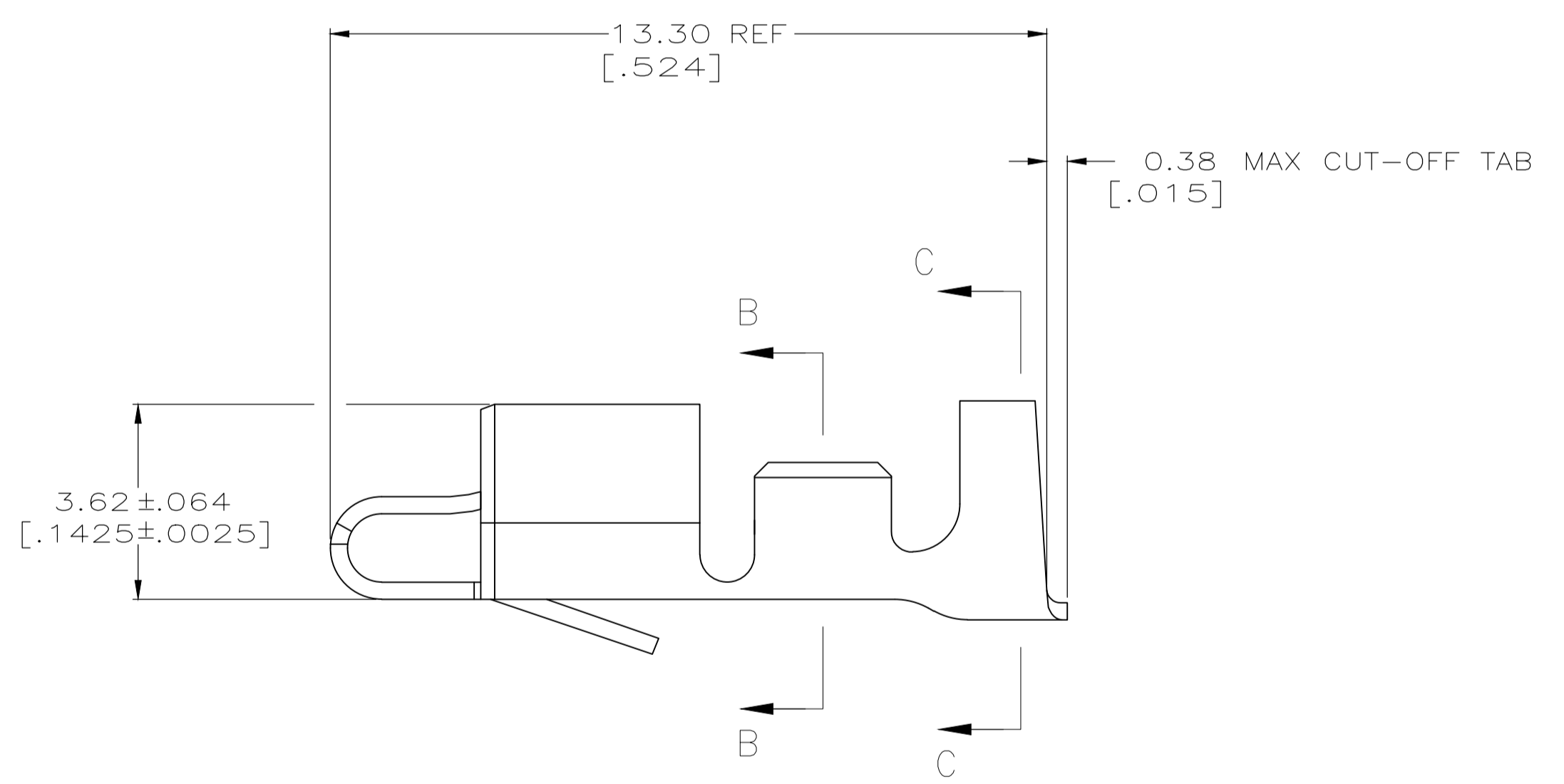
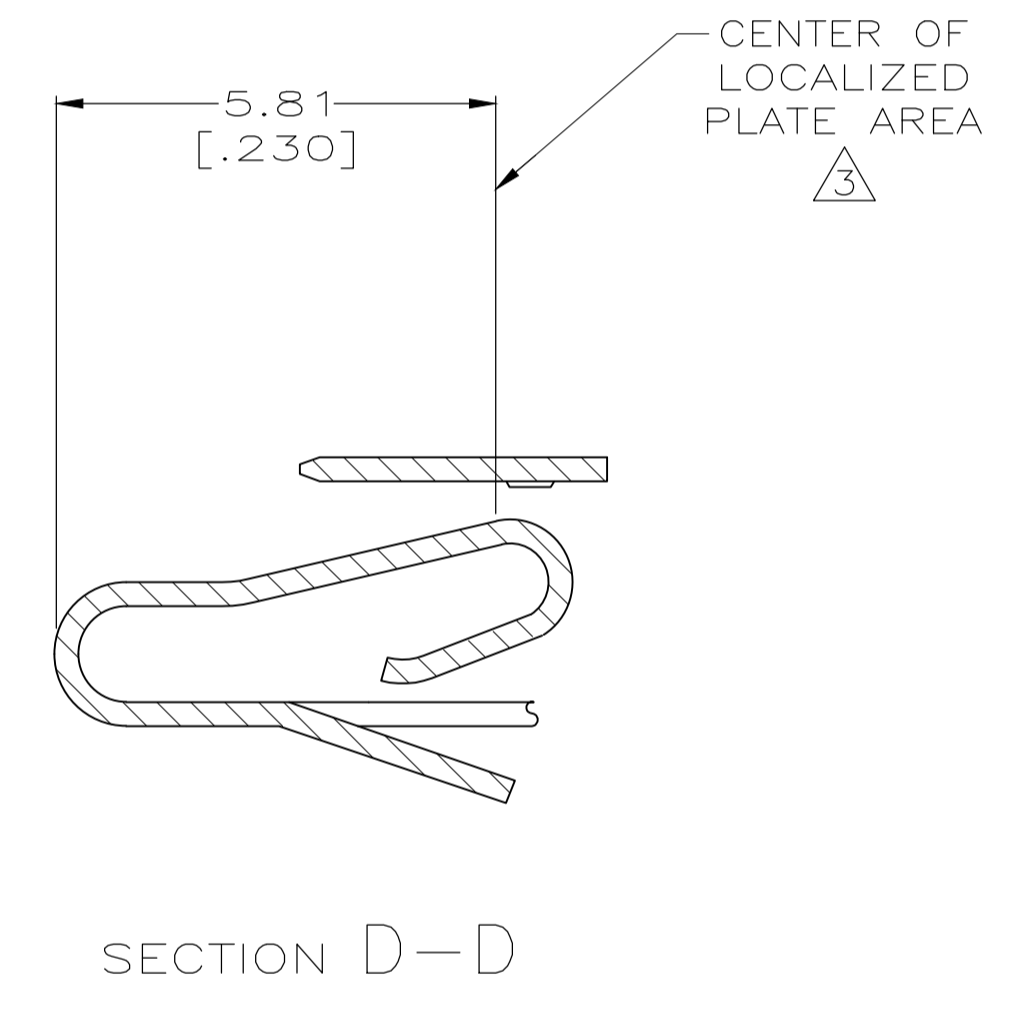
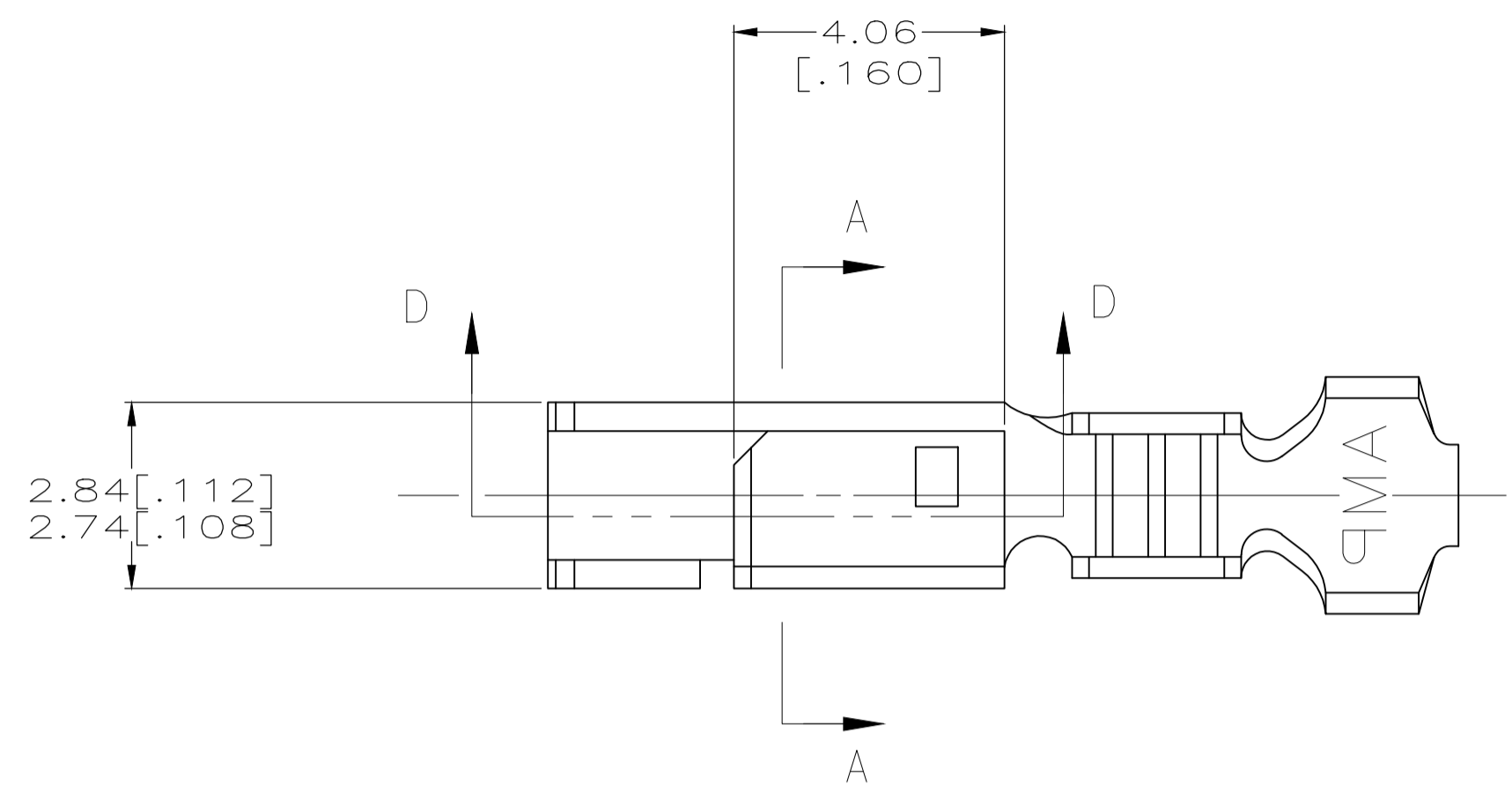


REVISIONS					
P	LTR	DESCRIPTION	DATE	DMN	APVD
C		REVISED PER ECR-18-019874	19MAR2019	BDA	SG

- INSULATION RANGE: 1.78-2.84 [.070-.112]
 WIRE RANGE: 0.2-0.9 mm² (24-18) AWG.
- 0.00203 [.000080] MIN MATTE TIN-LEAD OVER
 0.00127 [.000050] MIN NICKEL.
- 0.00076 [.000030] MIN THICK GOLD STRIPES IN
 LOCALIZED PLATE AREA ON BEAM AND DIMPLE OVER
 0.00127 [.000050] MIN THICK NICKEL OVER ENTIRE
 CONTACT.
- DIMENSIONS IN BRACKETS ARE IN INCHES.
- FOR USE ONLY WITH LID STYLE HOUSING.
- 0.00203 [.000080] MIN MATTE TIN OVER
 0.00127 [.000050] MIN NICKEL.
- OBSOLETE PARTS



	FINISH	MATERIAL	PART NO.
6	—	PHOS BRONZE	3-647409-1
—	3	PHOS BRONZE	647409-2
7	2	PHOS BRONZE	647409-1
	POST PLATE	PRE-PLATE	

THIS DRAWING IS A CONTROLLED DOCUMENT.

DIMENSIONS: mm [INCHES]	TOLERANCES UNLESS OTHERWISE SPECIFIED:	DWG: K. WHITAKER 15-JAN-2001	CHK: J. ELLIS 15-JAN-2001	APVD: J. ELLIS 15-JAN-2001	NAME: SL-156 HOODED RECEPTACLE, LARGE DIA. INSULATION TYPE, LOOSE PIECE
0. PLC ± -	1. PLC ± -	APVD: J. ELLIS 15-JAN-2001		SIZE: A1	CAGE CODE: 00779
2. PLC ± -	3. PLC ± .005	DRAWING NO: 647409		SCALE: 10:1	SHEET: 1 OF 1
4. PLC ± -	ANGLES ± -	WEIGHT: -		REV: C	
MATERIAL: SEE TABLE	FINISH: -	CUSTOMER DRAWING			

单击下面可查看定价，库存，交付和生命周期等信息

[>>TE Connectivity\(泰科\)](#)