

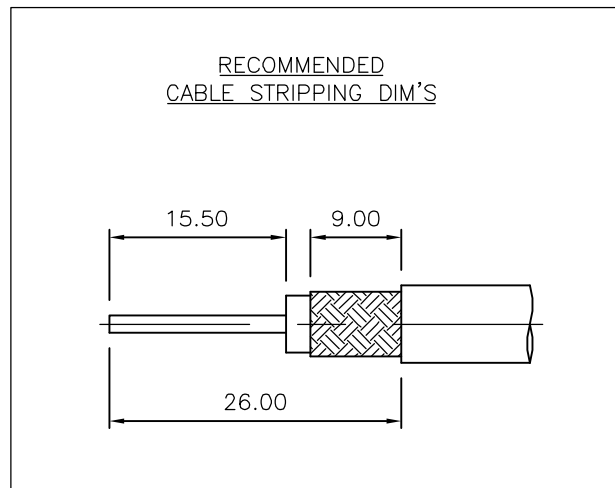
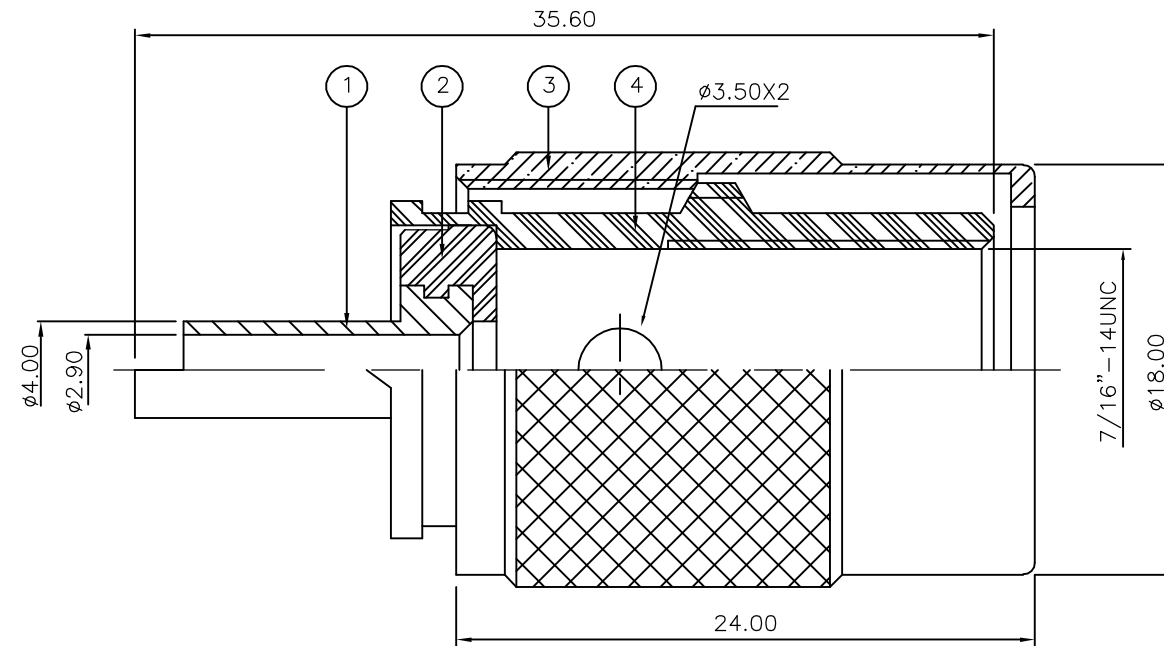
THIS DRAWING IS UNPUBLISHED. RELEASED FOR PUBLICATION JAN ,2006.

© COPYRIGHT 2006 BY TYCO ELECTRONICS CORPORATION. ALL RIGHTS RESERVED.

LOC	DIST	REVISIONS					
E	B	P	LTR	DESCRIPTION	DATE	DWN	APVD
		C		ECR-05-017969	09JAN06	JMS	FWK

NOTES:

- 1 PACK IN ACCORDANCE WITH AMP SPEC 107-3275
- 2 100 TRAY PACK IN ACCORDANCE WITH AMP SPEC 107-3275
- 3 Ag PLATING
- 4 ELECTRICAL CHARACTERISTICS
 - FREQUENCY RANGE: DC - 500 MHz
 - NOMINAL IMPEDANCE: Non Constant
 - INSULATION RESISTANCE: 5000 MOhm
 - WORKING VOLTAGE: 500 Volts RMS at Sea Level
 - DIELECTRIC WITHSTAND VOLTAGE: 1500 Volts RMS Max
 - CONTACT RESISTANCE:
 - CENTRE CONTACT: 3.00 mOhm Max
 - OUTER CONTACT: 2.00 mOhm Max
- 5 MECHANICAL CHARACTERISTICS
 - COUPLING NUT RETENTION FORCE: 445N Min
 - CABLE RETENTION FORCE: 85N Min
 - DURABILITY: 500 Cycles Min
- 6 ENVIRONMENTAL CHARACTERISTICS
 - OPERATING TEMPERATURE: -65 to +165 DegC



	1	1	BRASS	3	BODY	4
	1	1	BRASS	3	COUPLING NUT	3
	1	1	PTFE		INSULATION	2
	1	1	BRASS	3	CONTACT	1
	6--0	1--0			MATERIAL	DESCRIPTION
						ITEM

QUANTITY PER ASSY		PARTS LIST			
DWN		Tyco Electronics Corporation			
J.SANDWELL		Bideford EX39 4HE			
CHK		NAME			
S.PARLOW		UHF TWIST-ON STRAIGHT PLUG			
APVD		RG8A/U, 9B/U, 213/U, 214/U, URM67,			
F.WHEELER-KING		91, KX4, KX13, KX24			
PRODUCT SPEC		SIZE	CAGE CODE	DRAWING NO	RESTRICTED TO
-		A3	00779	1337474	-
APPLICATION SPEC		SCALE		SHEET	REV
411-3260		NTS		1 OF 1	C
WEIGHT		CUSTOMER DRAWING			
-					

THIS DRAWING IS A CONTROLLED DOCUMENT.	
DIMENSIONS:	TOLERANCES UNLESS OTHERWISE SPECIFIED:
mm	
	0 PLC ± -
	1 PLC ± -
	2 PLC ± -
	3 PLC ± -
	4 PLC ± -
	ANGLES ± -
MATERIAL	FINISH
SEE TABLE	-

单击下面可查看定价，库存，交付和生命周期等信息

[>>TE Connectivity\(泰科\)](#)