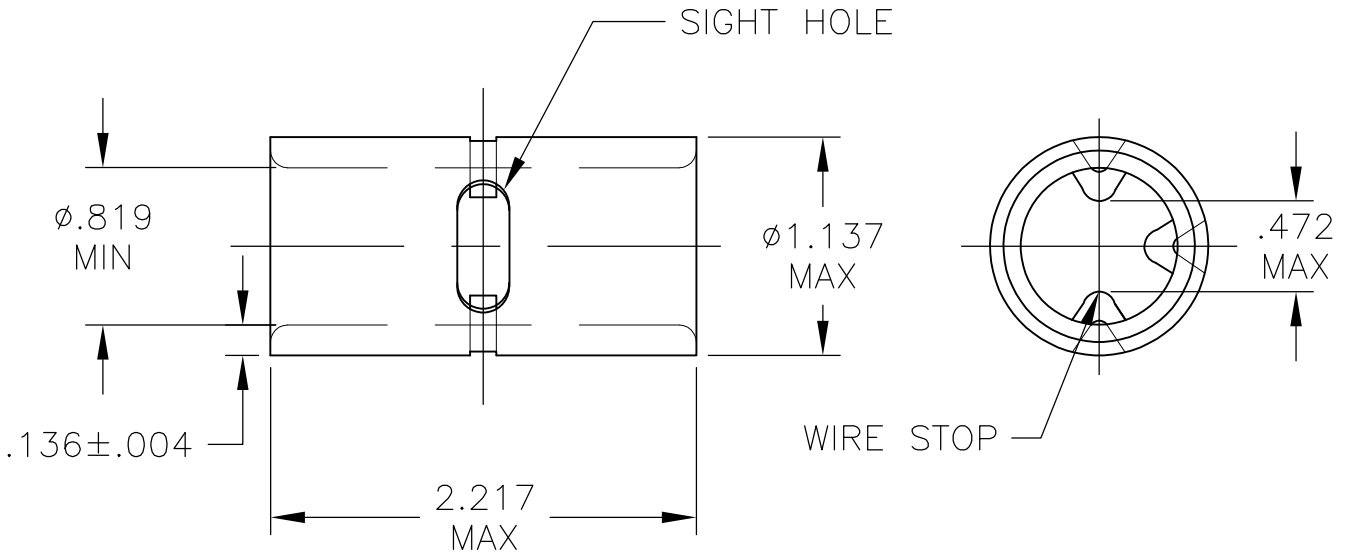


LOC G	DIST 14	REVISIONS			
P	LTR	DESCRIPTION	DATE	DWN	APVD
	A1	REVISED PER ECR-08-022483	29SEP08	HMR	JR



MATERIAL: COPPER PER ASTM B152, ANNEALED



THIS DRAWING IS UNPUBLISHED.

ALL INTERNATIONAL RIGHTS RESERVED.

© COPYRIGHT - BY TYCO ELECTRONICS CORPORATION.

DIMENSIONS: INCHES	DWN RAGHAVENDRA	29SEP08	MATERIAL		FINISH	TIN PLATE PER ASTM B545
	CHK JEFF RUTH	29SEP08	Tyco Electronics Corporation Harrisburg, PA 17105-3608			
TOLERANCES UNLESS OTHERWISE SPECIFIED:	APVD Michielutti Thomas	29SEP08				
0 PLC ± -	PRODUCT SPEC	-	NAME WIRE SPLICE SOLISTRAND- BUTT WIRE SIZE: 300-350 MCM			
1 PLC ± -	APPLICATION SPEC	-				
2 PLC ± -	WEIGHT	-	SIZE	A4	CAGE CODE	00779
3 PLC ± .005			DRAWING NO	C-322280		RESTRICTED TO
4 PLC ± -						-
ANGLES ± 0° 30'			CUSTOMER DRAWING		SCALE	1:1
			SHEET	1	OF	1
			REV	A1		

单击下面可查看定价，库存，交付和生命周期等信息

[>>TE Connectivity\(泰科\)](#)