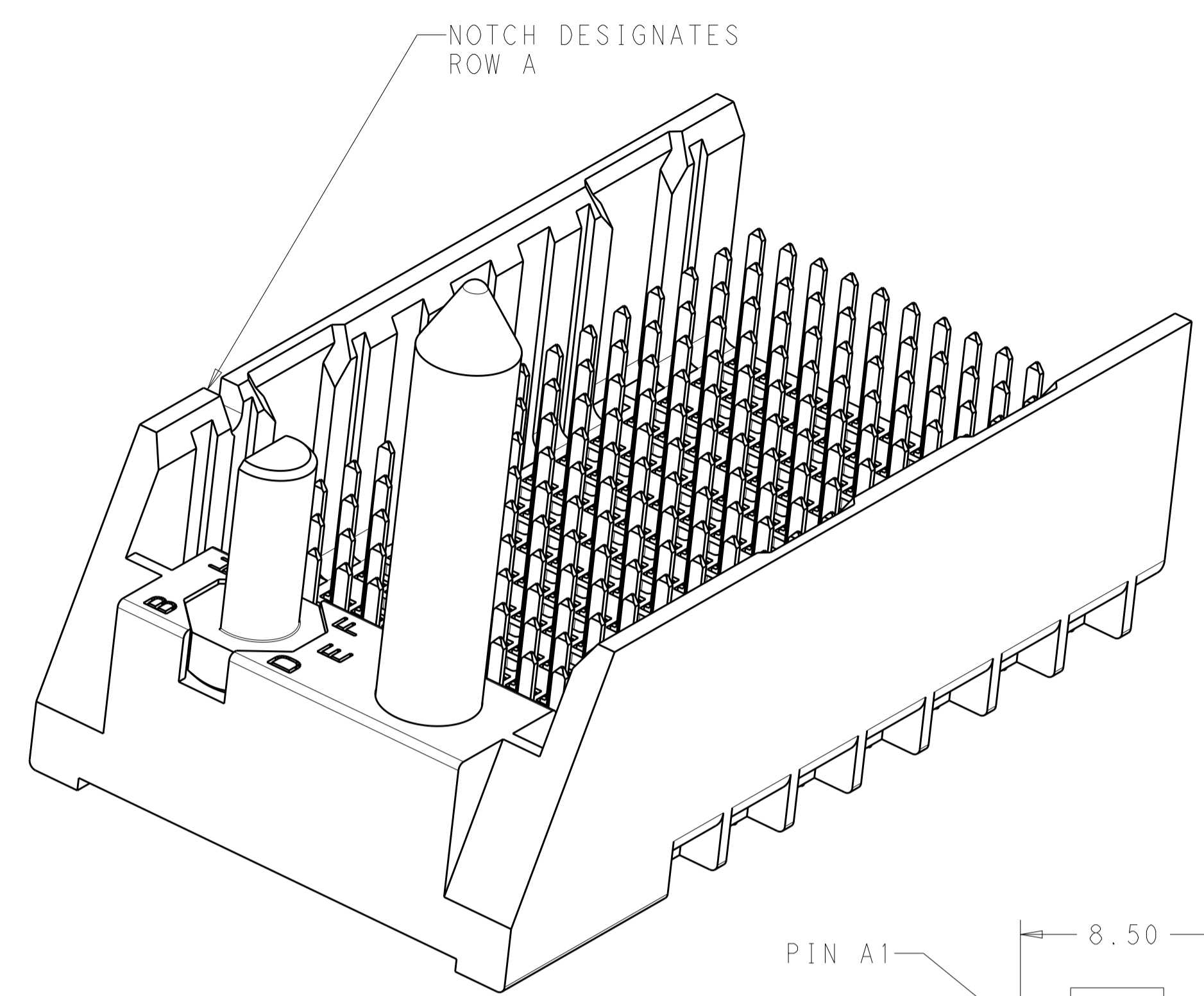
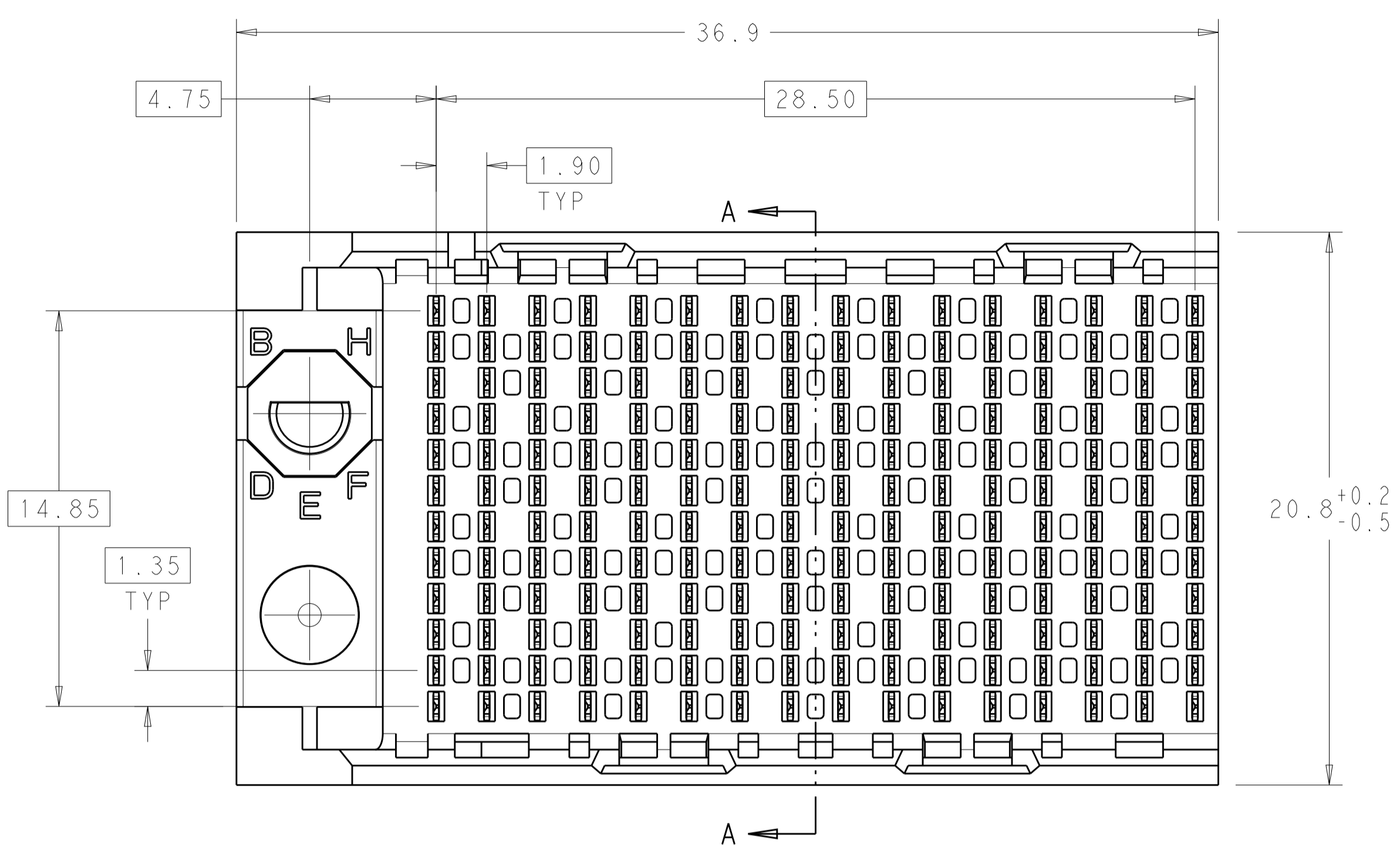
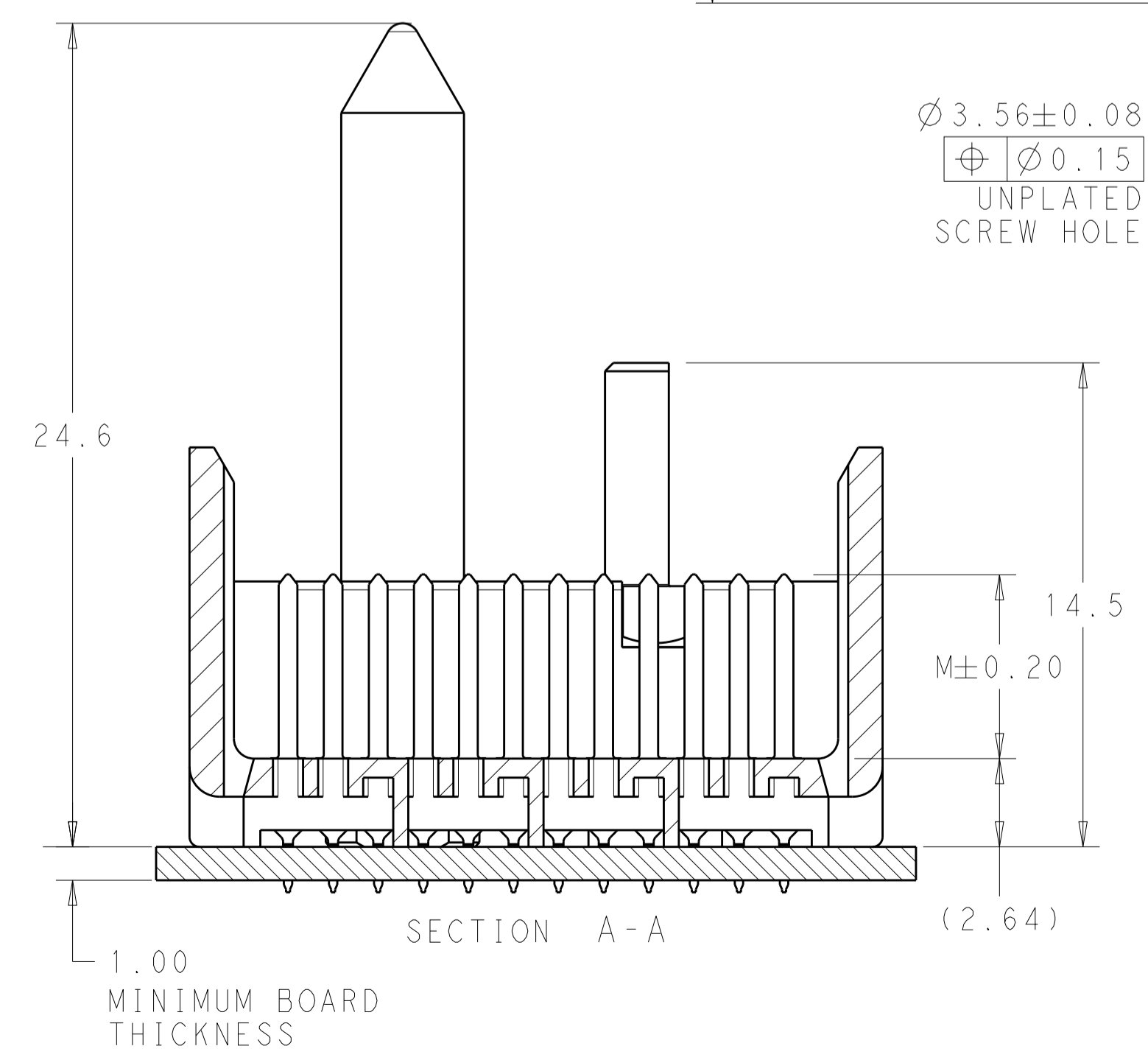
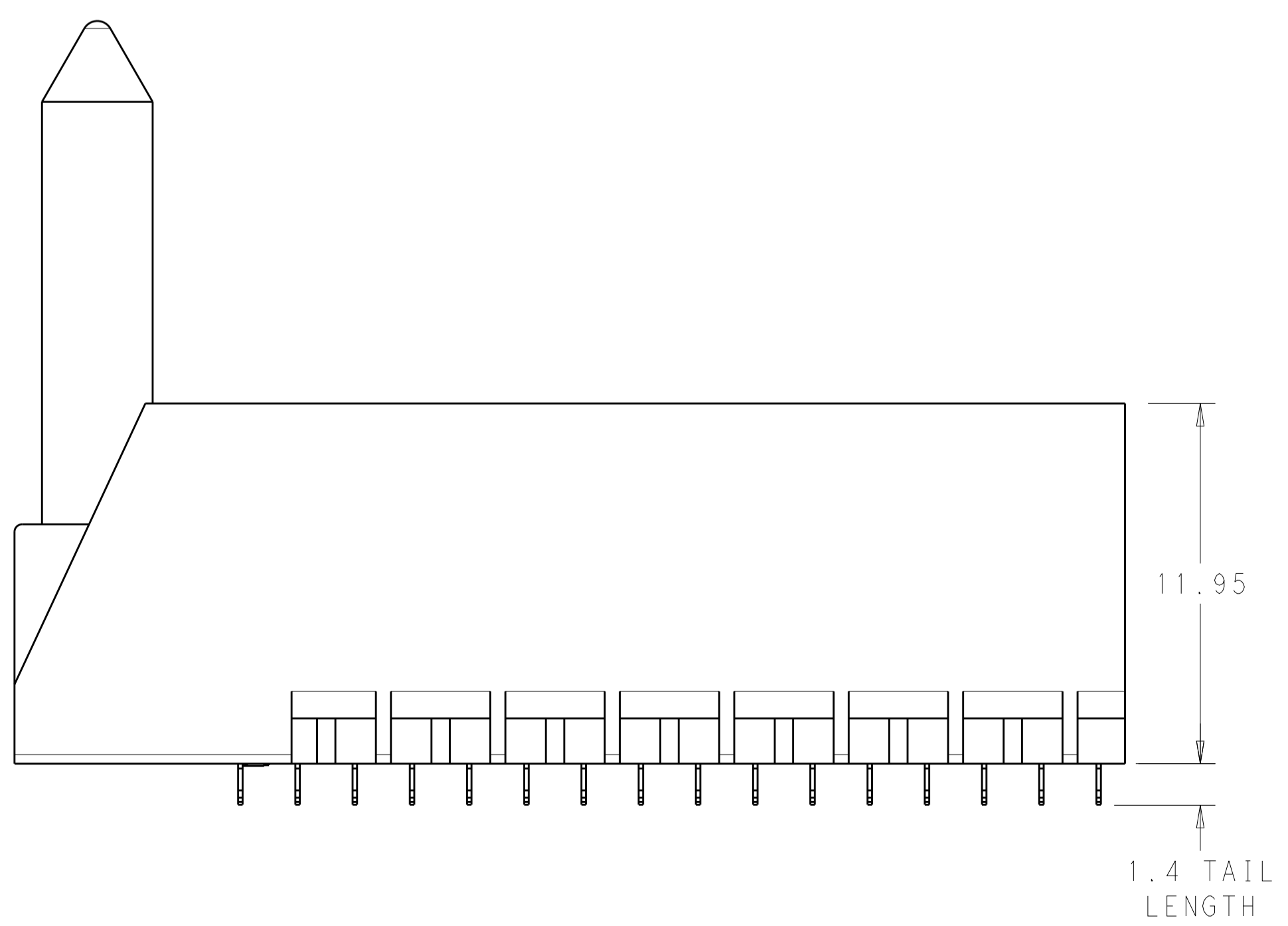
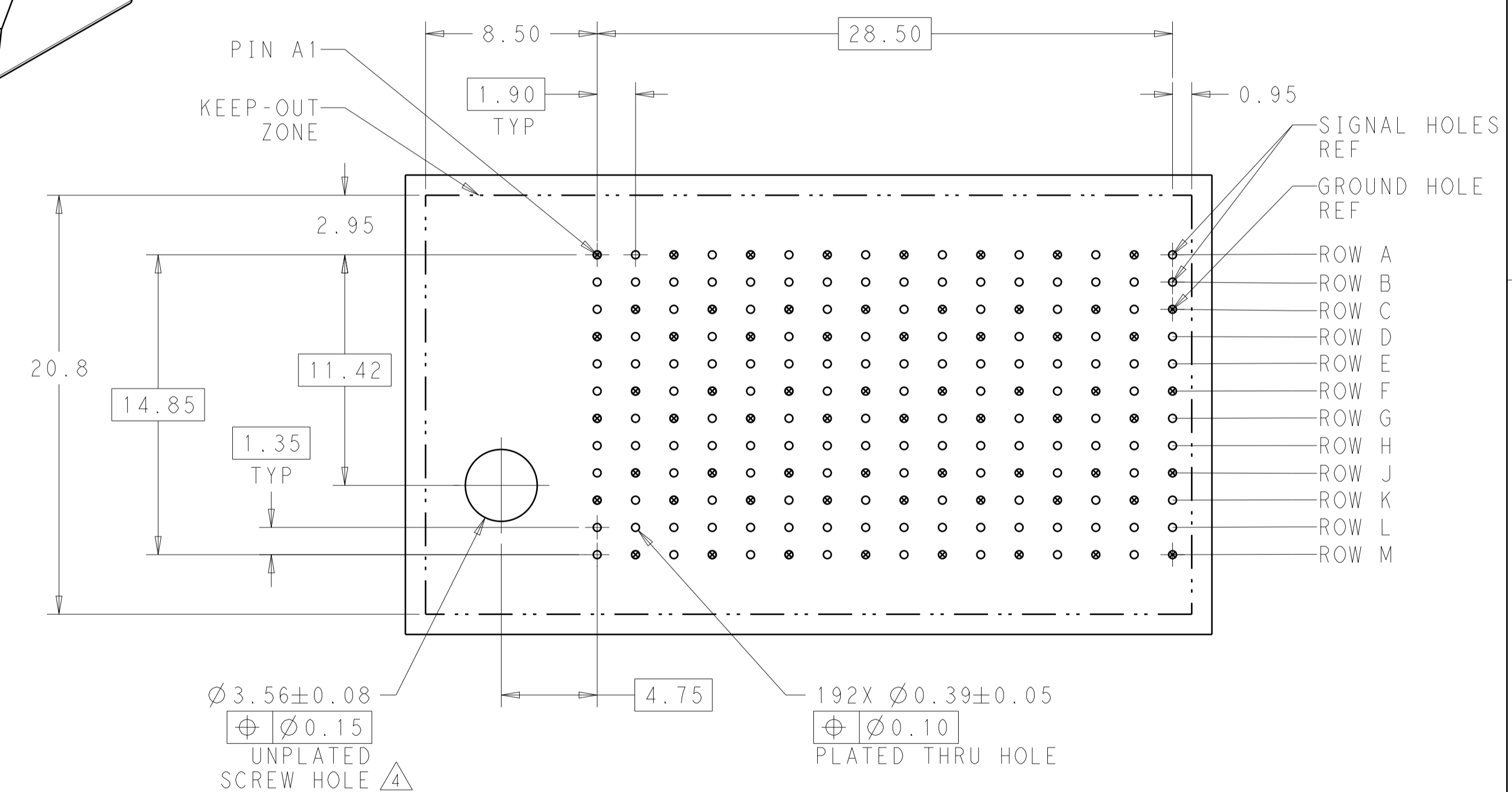


LOC		DIST		REVISIONS			
AD	00	P	LTN	DESCRIPTION	DATE	DMN	APVD
		B1		REVISED PER ECO-15-001494	05FEB2015	AP	DD



- ⚠ MATERIAL:  
HOUSING: LCP, GLASS FILLED, UL94V-0.  
TERMINALS: HIGH PERFORMANCE COPPER ALLOY.
- ⚠ FINISH:  
30μ" MIN GOLD IN CONTACT AREA. SELECTIVE TIN ON PCB TAILS, NICKEL OVERALL.
- 3. SCREWS PACKAGED IN END OF PACKAGING TUBE.
- ⚠ FOR GROUNDED GUIDE PIN USE  $\varnothing 3.56 \pm 0.08$  PTH,  $\varnothing 3.66$  DRILL, AND  $\varnothing 6.5$  PAD.
- 5. KEYING PIN SHOWN IN POSITION A, SEE KEYING CHART ON SHEET 2 FOR OTHER POSITIONS.

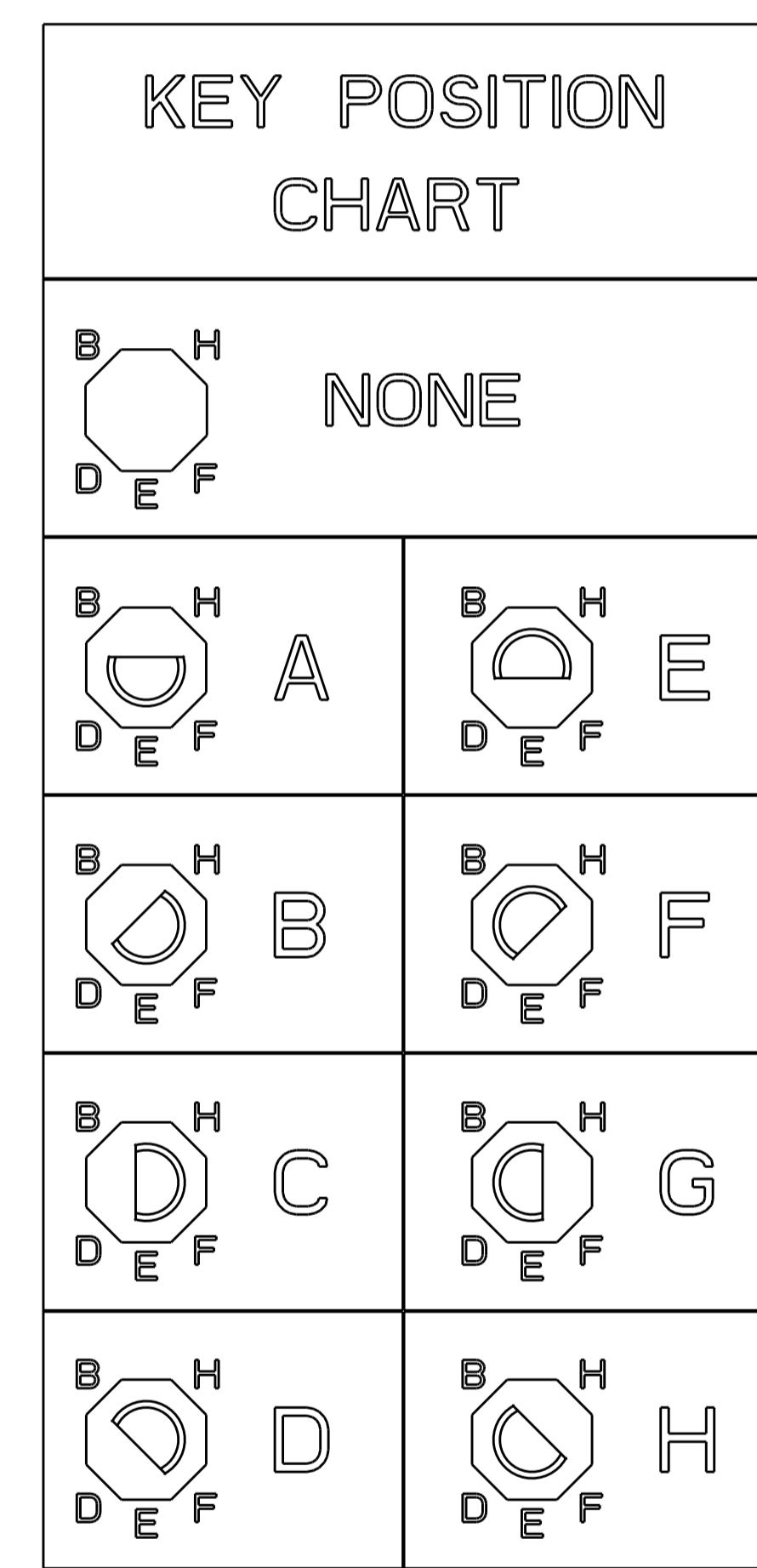


THIS DRAWING IS A CONTROLLED DOCUMENT.		DMN J. K. SHOBER 13JAN2011	TE Connectivity
DIMENSIONS: mm		CHK J. EARY 13JAN2011	
TOLERANCES UNLESS OTHERWISE SPECIFIED:		APVD J. EARY 13JAN2011	NAME: IMPACT, 4 PAIR, 16 COLUMN, HEADER LEFT GUIDED, OPEN END WALL SIGNAL MODULE, 0.39 PTH
0 PLC ± 1 PLC ±0.25 2 PLC ±0.13 3 PLC ± 4 PLC ± ANGLES ±		PRODUCT SPEC	
MATERIAL		APPLICATION SPEC	SIZE: CAGE CODE DRAWING NO. RESTRICTED TO
FINISH: SEE TABLE		WEIGHT	A100779C=2007825
		CUSTOMER DRAWING	SCALE: 6:1 SHEET 1 OF 2 REV: B1

LOC	DIST	REVISIONS			
		REV	DATE	BY	APPD
AD	00	-	SEE SHEET 1	-	-

	H	5.5	8-2007825-3
	H	4.9	8-2007825-2
	H	4.5	8-2007825-1
	G	5.5	7-2007825-3
	G	4.9	7-2007825-2
	G	4.5	7-2007825-1
	F	5.5	6-2007825-3
	F	4.9	6-2007825-2
	F	4.5	6-2007825-1
	E	5.5	5-2007825-3
	E	4.9	5-2007825-2
	E	4.5	5-2007825-1
	D	5.5	4-2007825-3
	D	4.9	4-2007825-2
	D	4.5	4-2007825-1
	C	5.5	3-2007825-3
	C	4.9	3-2007825-2
	C	4.5	3-2007825-1
	B	5.5	2-2007825-3
	B	4.9	2-2007825-2
	B	4.5	2-2007825-1
	A	5.5	1-2007825-3
	A	4.9	1-2007825-2
	A	4.5	1-2007825-1
	-	5.5	2007825-3
	-	4.9	2007825-2
	-	4.5	2007825-1
FINISH	KEY POSITION	DIM M	PART NUMBER

REFER TO WWW.TE.COM  
 FOR PRODUCT AVAILABILITY



THIS DRAWING IS A CONTROLLED DOCUMENT.

DIMENSIONS:	TOLERANCES UNLESS OTHERWISE SPECIFIED:	OWN J. K. SHOBER 13JAN2011	
mm	0 PLC ±0.25 1 PLC ±0.13 2 PLC ±0.13 3 PLC ±0.13 4 PLC ±0.13	CHK J. EARY 13JAN2011	
	ANGLES ±0.13	APVD J. EARY 13JAN2011	NAME IMPACT, 4 PAIR, 16 COLUMN, HEADER LEFT GUIDED, OPEN END WALL SIGNAL MODULE, 0.39 PTH
MATERIAL	FINISH SEE TABLE	PRODUCT SPEC	SIZE CAGE CODE DRAWING NO RESTRICTED TO
		APPLICATION SPEC	A100779C=2007825
		WEIGHT	SCALE 5:1 SHEET 2 OF 2 REV B1
		CUSTOMER DRAWING	

单击下面可查看定价，库存，交付和生命周期等信息

[>>TE Connectivity\(泰科\)](#)