

THIS DRAWING IS UNPUBLISHED.

RELEASED FOR PUBLICATION

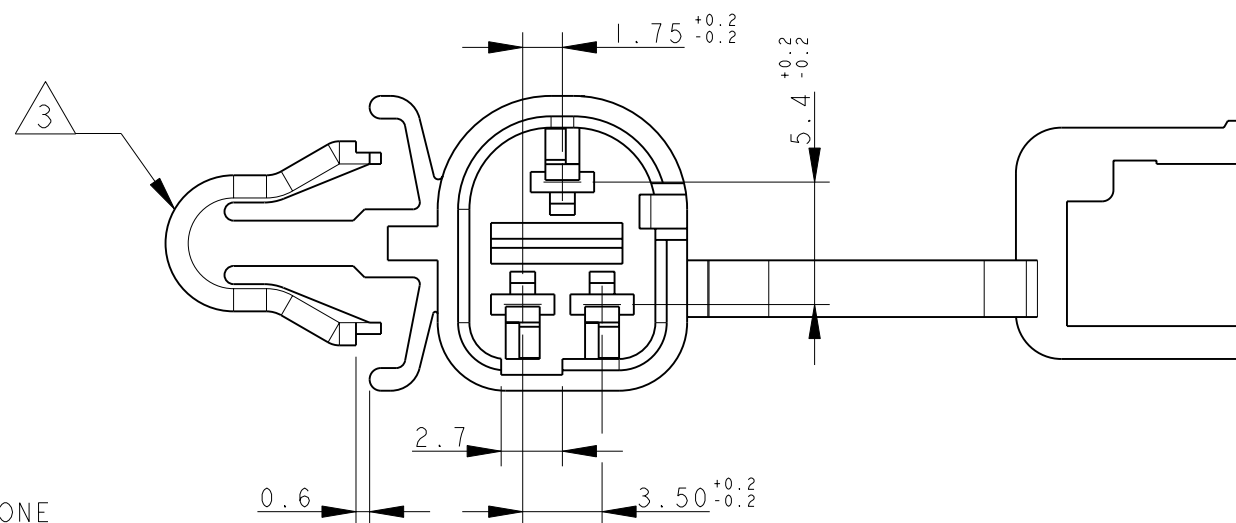
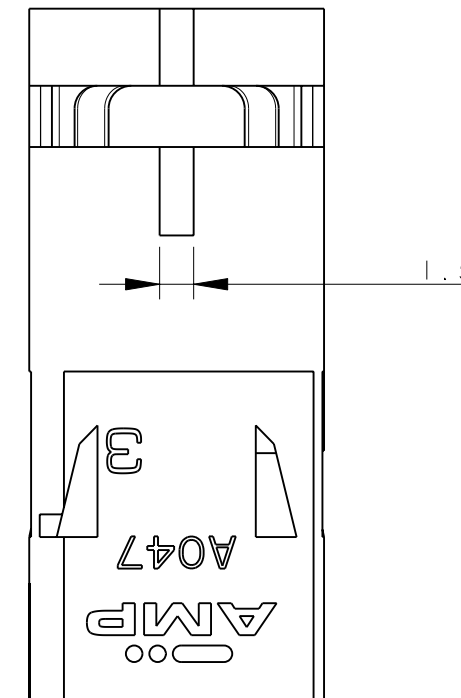
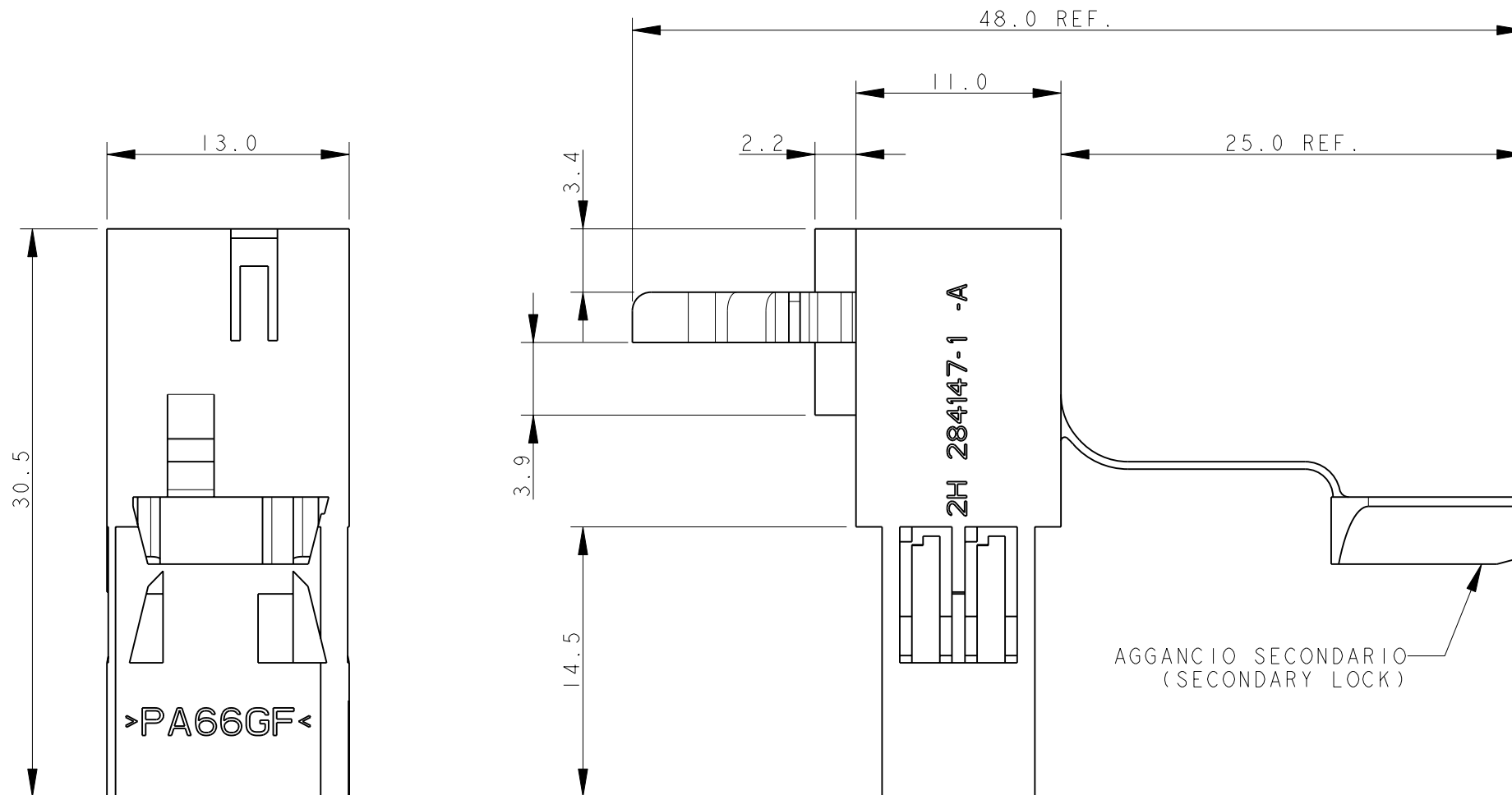
2009

LOC 1 DIST -

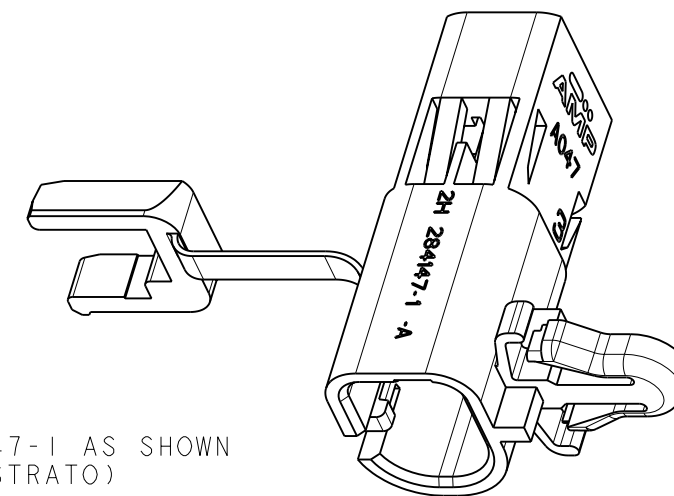
REVISIONS

© COPYRIGHT 2009 BY TYCO ELECTRONICS CORPORATION. ALL INTERNATIONAL RIGHTS RESERVED.

P	LTR	DESCRIPTION	DATE	DWN	APVD
A		FIRST ISSUE (ET00-0092-98)	10APR1998	P.S.	C.B.
A1		UPDATED, ADDED SHEET 2 (ET00-0067-99)	22FEB1999	A.M.	O.C.
A2		CORR.POL.KEY SHEET 2/2 (ET00-0134-99)	16APR1999	A.M.	O.C.
A3		CORRECTED NOTE 1 SHEET 1/2 (ET00-0230-99)	25JUN1999	A.M.	O.C.
A4		FPI UPDATED AND RELEASED (ET00-0256-02)	01MAR2004	M.B.	O.C.
A5		REVISED PER ECR-09-025969	30NOV2009	M.G.	M.G.



P/N 284147-1 AS SHOWN (COME MOSTRATO)



1) BLOCCHETTO ADATTO PER CONTATTI MULTILOCK .070 SECONDA GENERAZIONE P/N 284080-1 E P/N 284107-1 (HOUSING SUITABLE FOR MULTILOCK .070 SECOND GENERATION CONTACTS P/N 284080-1 AND P/N 284107-1)

2) MATERIALE: PA 66 GF COLORE NERO (MATERIAL: PA 66 GF COLOR BLACK)

3) AGGANCIAMENTO ADATTO PER FORO PANNELLO Ø 6.5 +0.30 / SPESSORE PANNELLO LAMIERA 0.9 ± 0.1 (HOOK SUITABLE FOR PANEL HOLE Ø 6.5 +0.30 / THICK SHEET METAL PANEL 0.9 ± 0.1)

4) ADATTO PER CONTROPARTE P/N 284148-1 (SUITABLE COUNTERPART: P/N 284148-1)

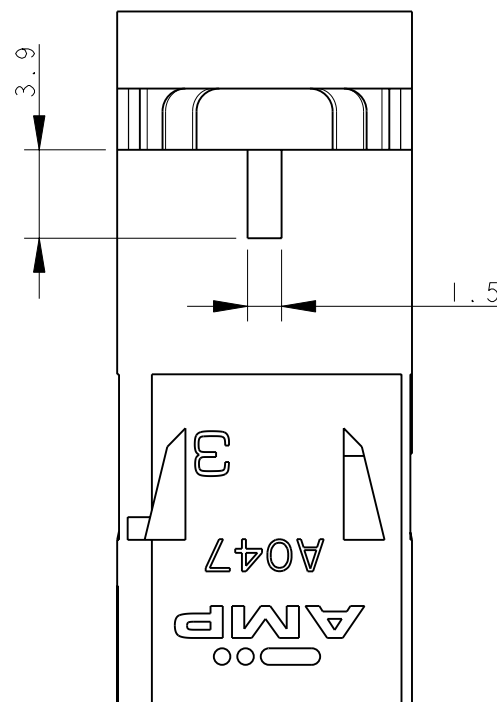
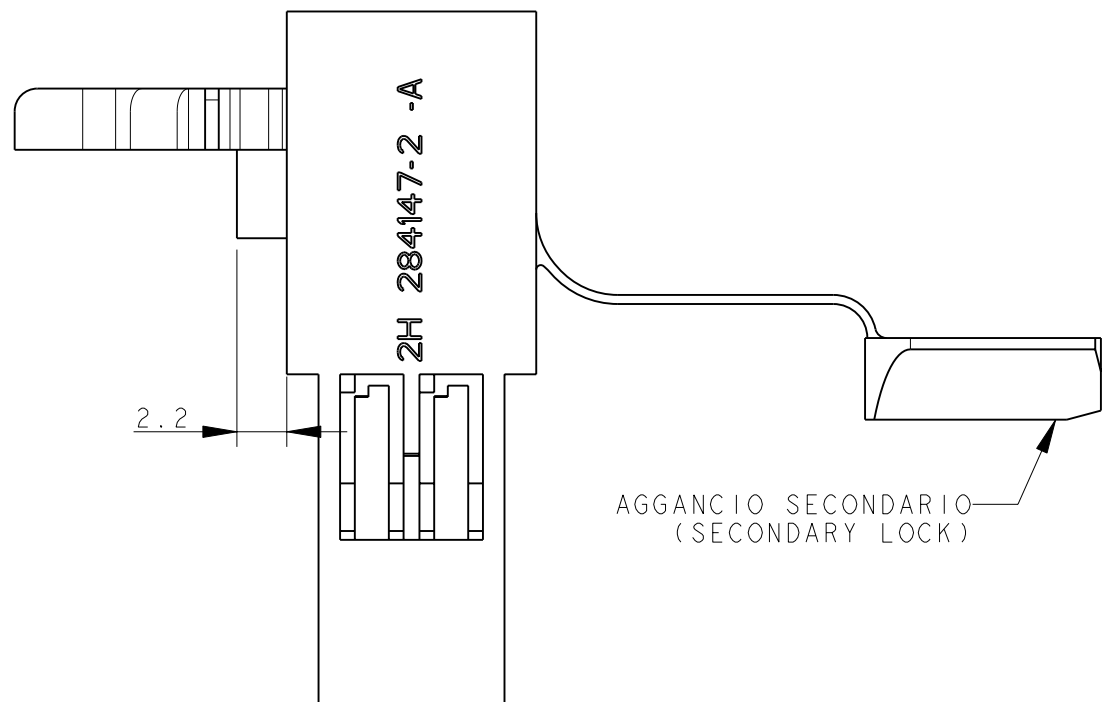
THIS DRAWING IS A CONTROLLED DOCUMENT FOR TYCO ELECTRONICS CORPORATION IT IS SUBJECT TO CHANGE AND THE CONTROLLING ENGINEERING ORGANIZATION SHOULD BE CONTACTED FOR THE LATEST REVISION.

DIMENSIONS:		TOLERANCES UNLESS OTHERWISE SPECIFIED:	
mm			
	0 PLC	±1.0	
	1 PLC	±0.3	
	2 PLC	±0.3	
	3 PLC	±-	
	4 PLC	±-	
	ANGLES	±1°	
MATERIAL	FINISH	-	

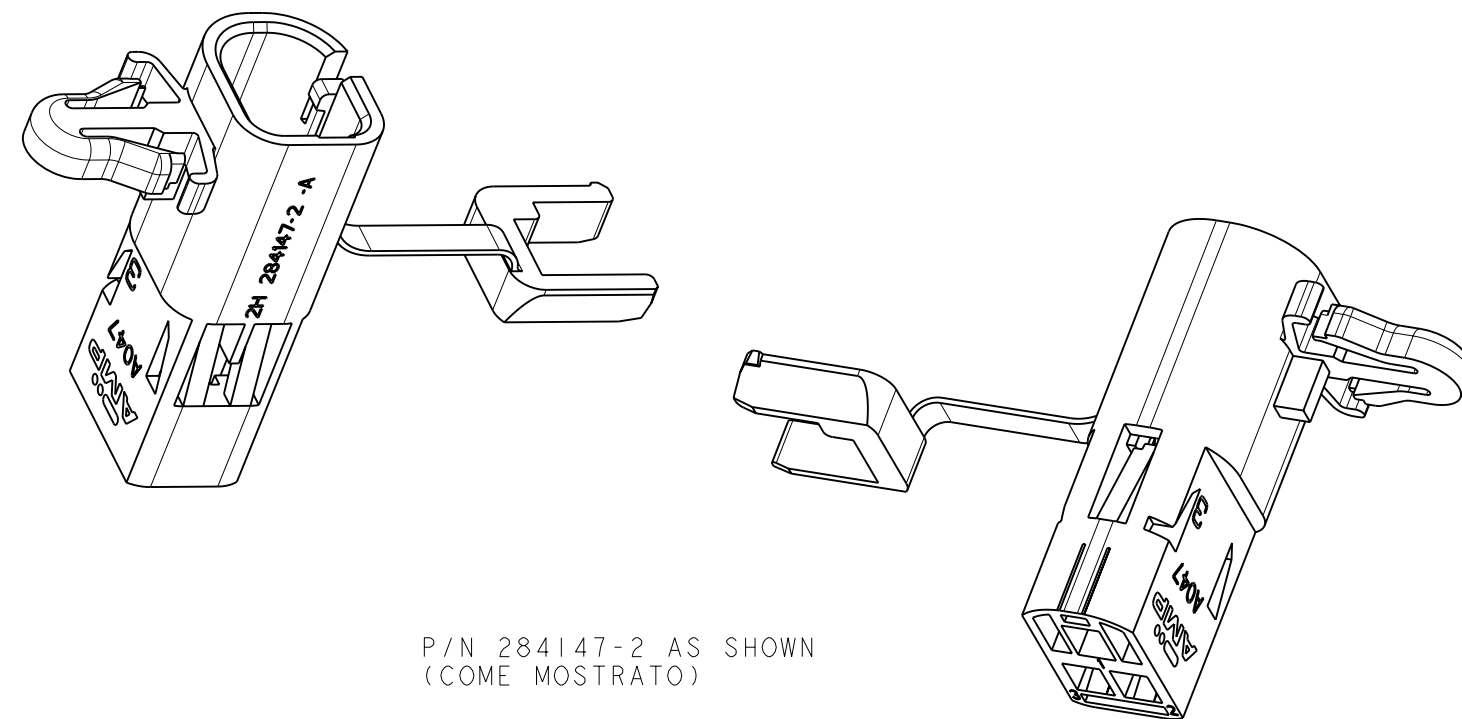
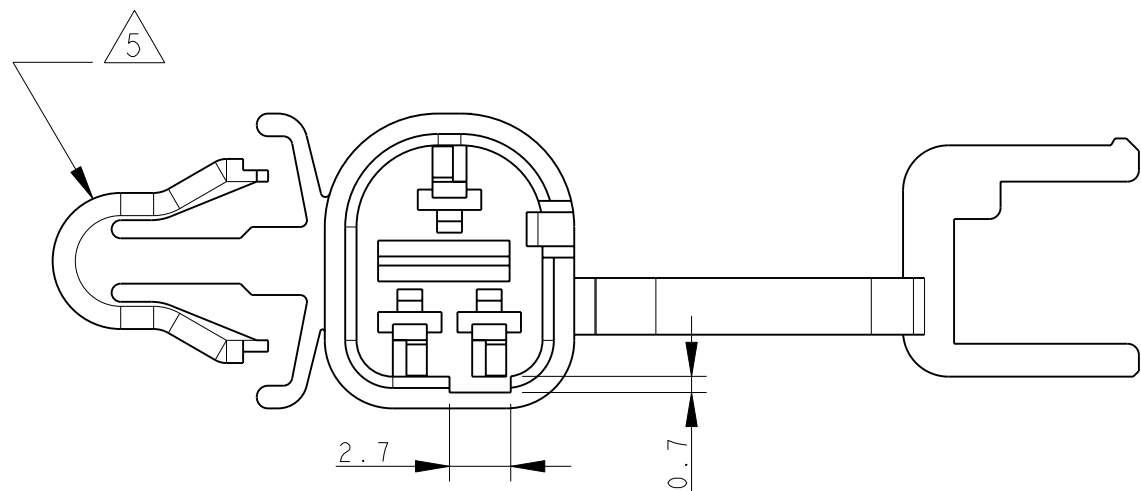
DWN	P. SANTANGELO	30 JAN 98
CHK	C. BERTINI	30 JAN 98
APVD	A. BRUNI	30 JAN 98
PRODUCT SPEC	-	
APPLICATION SPEC	-	
WEIGHT	-	
CUSTOMER DRAWING		

Tyco Electronics AMP Italia S.r.l. Corso F.lli Cervi, 15 - Collegno (TO)		NAME	
-		3 POS. .070 MULTILOCK MALE CONNECTOR	
SIZE	CAGE CODE	DRAWING NO	RESTRICTED TO
A3	00779	C-284147	-
SCALE 3:1		SHEET 1 OF 2	REV A5

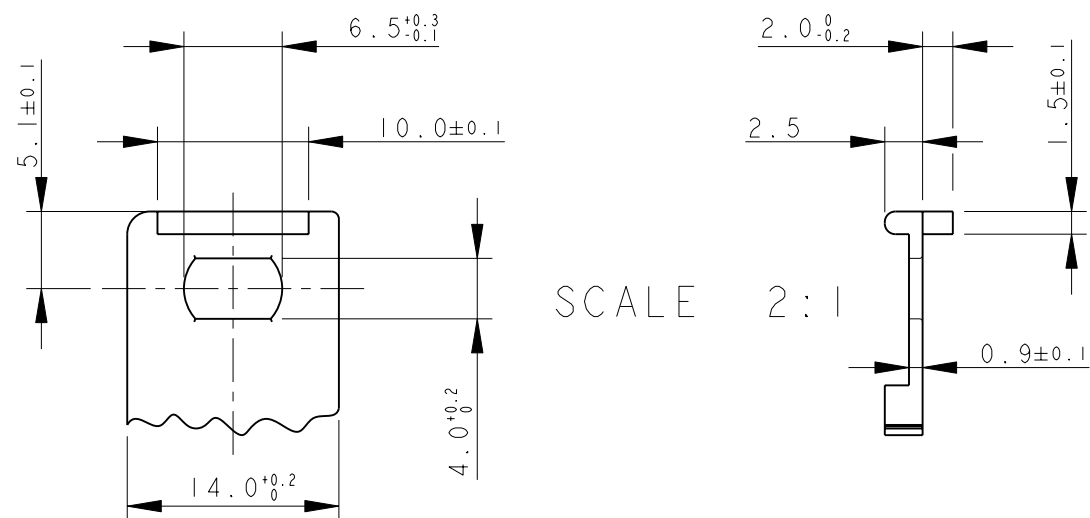
LOC	DIST	REVISIONS			
P	LTR	DESCRIPTION	DATE	DWN	APVD
1	-	SEE SHEET 1/2			



- 1) BLOCCHETTO ADATTO PER CONTATTI MULTILOCK .070 SECONDA GENERAZIONE P/N 284080-1 E P/N 284107-1.  
(HOUSING SUITABLE FOR MULTILOCK .070 SECOND GENERATION CONTACTS P/N 284080-1 AND P/N 284107-1)
- 2) MATERIALE: PA 66 GF COLORE BIANCO.  
(MATERIAL: PA 66 GF COLOR WHITE)
- 3) IL P/N 284147-2 DIFFERISCE DAL P/N 284147-1 PER LE QUOTE INDICATE  
(P/N 284147-2 IS DIFFERENT FROM P/N 284147-1 FOR SHOWN DIMENSIONS)
- 4) PER LE DIMENSIONI MANCANTI VEDERE P.N. 284147-1 FOGLIO 1/2)  
(FOR MISSING DIMENSIONS SEE P.N. 284147-1 SHEET 1/2)
- 5) AGGANCIAMENTO ADATTO PER FORO PANNELLO CON GEOMETRIA INDICATA  
(HOOK SUITABLE FOR PANEL HOLE AS SHOWN)
- 6) ADATTO PER CONTROPARTE P/N 284148-2  
(SUITABLE COUNTERPART: P/N 284148-2)



**CONTROPARTE DI AGGANCIAMENTO (MATING PART)**



THIS DRAWING IS A CONTROLLED DOCUMENT FOR TYCO ELECTRONICS CORPORATION IT IS SUBJECT TO CHANGE AND THE CONTROLLING ENGINEERING ORGANIZATION SHOULD BE CONTACTED FOR THE LATEST REVISION.

DIMENSIONS: mm		TOLERANCES UNLESS OTHERWISE SPECIFIED:	
0 PLC	±1.0	1 PLC	±0.3
2 PLC	±0.3	3 PLC	±-
4 PLC	±-	ANGLES	±1°
MATERIAL	FINISH	-	

DWN	30 JAN 98	Tyco Electronics AMP Italia S.r.l. Corso F.lli Cervi, 15 - Collegno (TO)			
CHK	30 JAN 98				
APVD	30 JAN 98				
PRODUCT SPEC	A. BRUNI				
APPLICATION SPEC	-	NAME			
WEIGHT	-	SIZE	CAGE CODE	DRAWING NO	RESTRICTED TO
CUSTOMER DRAWING		A3	00779	C-284147	-

3 POS. .070 MULTILOCK MALE CONNECTOR		SCALE	SHEET	OF	REV
		3:1	2	2	A5

单击下面可查看定价，库存，交付和生命周期等信息

[>>TE Connectivity\(泰科\)](#)