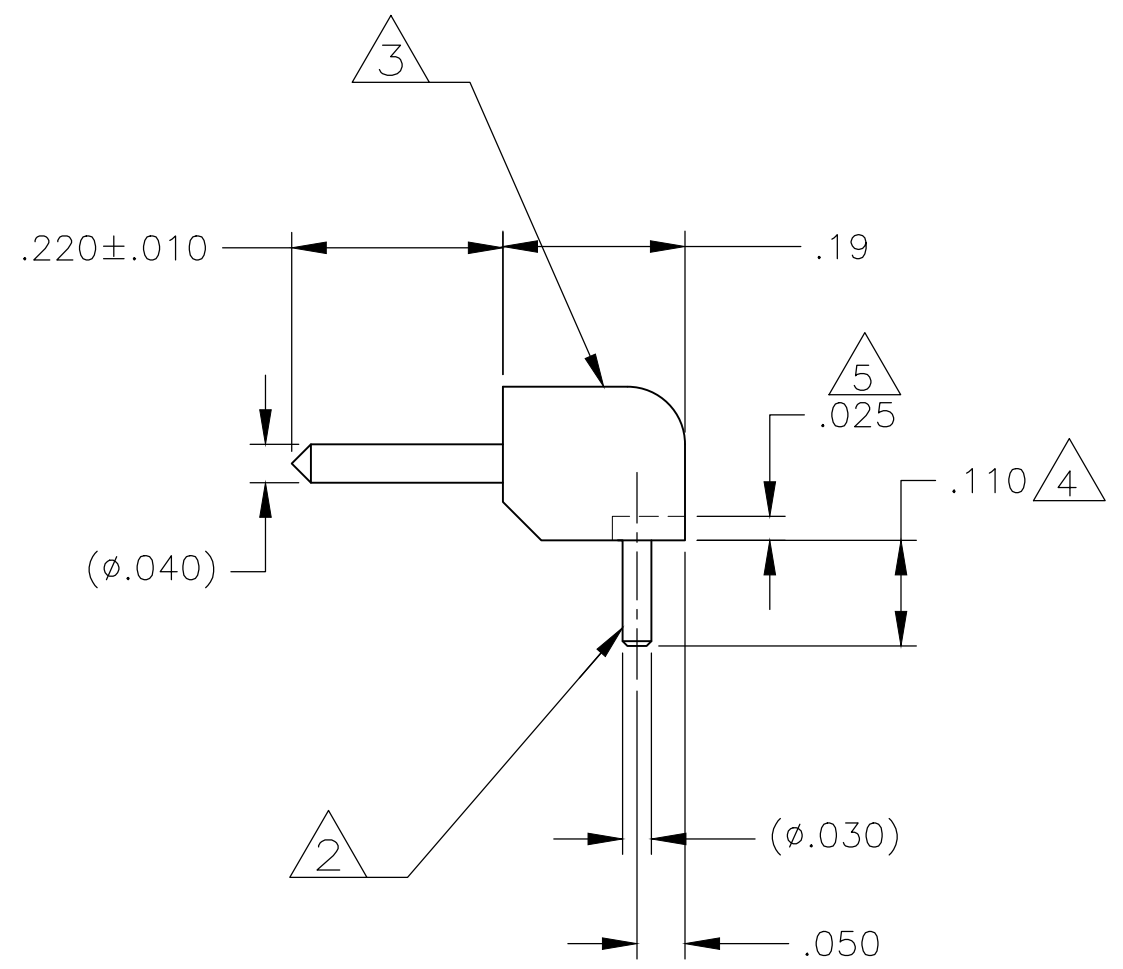
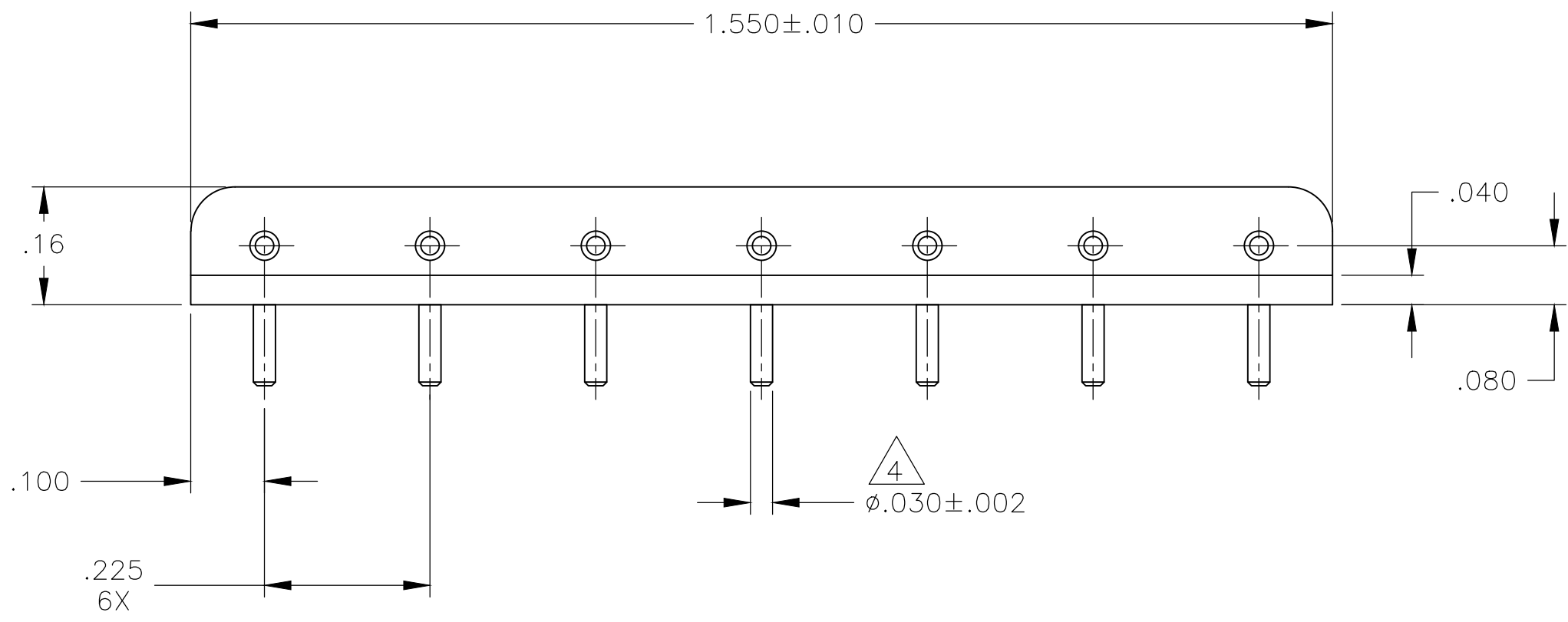


THIS DRAWING IS UNPUBLISHED. RELEASED FOR PUBLICATION
 © COPYRIGHT - TE Connectivity Ltd. ALL RIGHTS RESERVED.

REVISIONS					
P	LTR	DESCRIPTION	DATE	DWN	APVD
F		REV PER ECO 19-008058	6-19-19	CT	PD



- 1 MATERIAL: INSULATOR - GLASS FILLED THERMOPLASTIC
VO RATED PER MIL-M-24519; COLOR: BLACK
MATERIAL: CONTACT - BRASS
FINISH: GOLD PLATE .000050-.000070 THK PER ASTM B 488 (2011)
OVER NICKEL UNDERPLATE .00075-.000150 THK PER SAE-AMS-QQ-N-290
- 2 THIS END SOLDER DIPPED IN ACCORDANCE WITH MII STD 202, METHOD 208.
- 3 CUST P/N, AMP AND DATE CODE LOCATED IN THIS APPROXIMATE AREA.
- 4 PIN LENGTH AND WIDTH DIMENSIONS ARE PRIOR TO SOLDER DIPPING.
- 5 FLUX CLEAN OUT ZONE.

7	---	1	447465-2
7	11750890	2	447465-1
POS.	CUSTOMER PART NO	MATERIAL	PART NO

THIS DRAWING IS A CONTROLLED DOCUMENT.		DWN C.C.THOMAS 6-19-19	STE TE Connectivity Ltd.	
DIMENSIONS: INCHES		CHK P.D'AMATO 6-19-19		
TOLERANCES UNLESS OTHERWISE SPECIFIED:		APVD P.D'AMATO 6-19-19	NAME FUZE SYSTEM CONNECTOR HEADER, RIGHT ANGLE	
0 PLC ± -	1 PLC ± -	PRODUCT SPEC	SIZE A2	CAGE CODE 00779
2 PLC ± .01	3 PLC ± .005	APPLICATION SPEC	DRAWING NO C=447465	RESTRICTED TO -
4 PLC ± -	ANGLES ± -	FINISH	WEIGHT 0.000000	SCALE 5:1
MATERIAL -	FINISH -	CUSTOMER DRAWING	SHEET 1 OF 1	REV F

单击下面可查看定价，库存，交付和生命周期等信息

[>>TE Connectivity\(泰科\)](#)