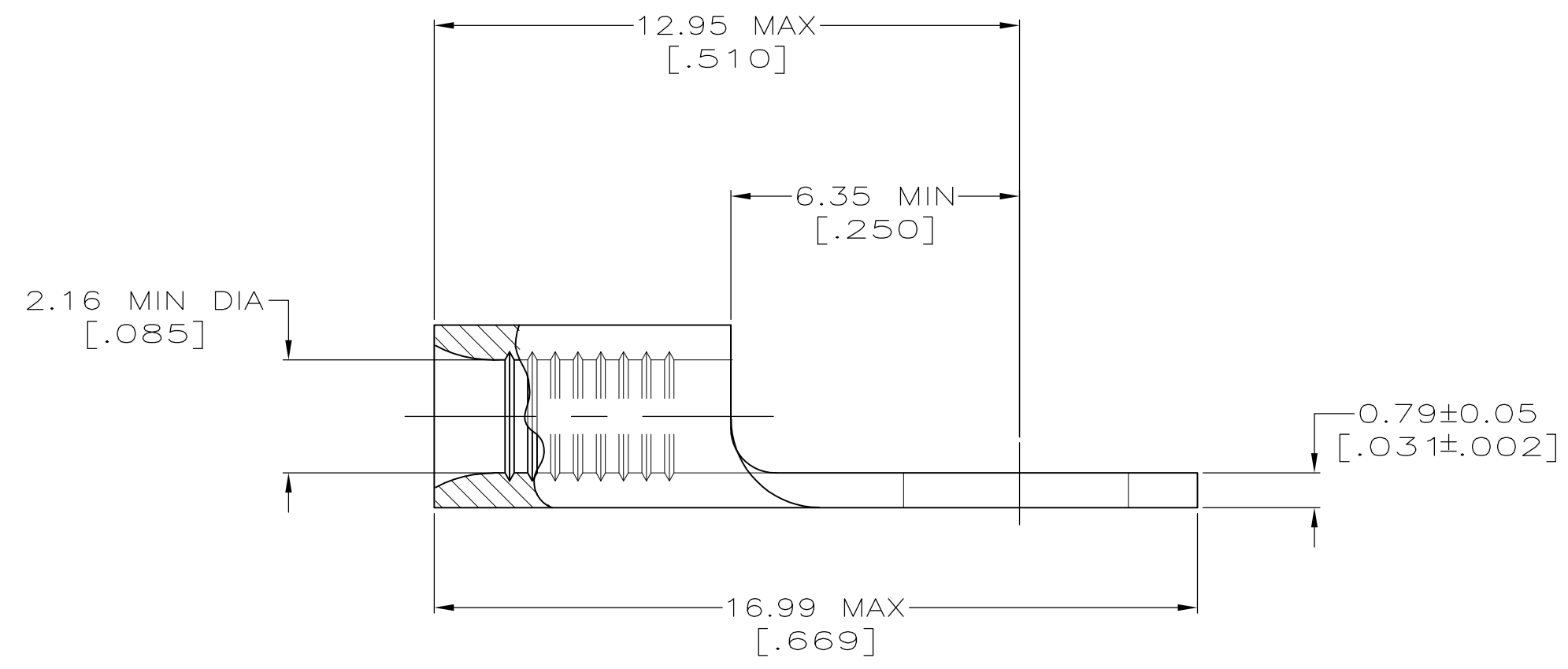
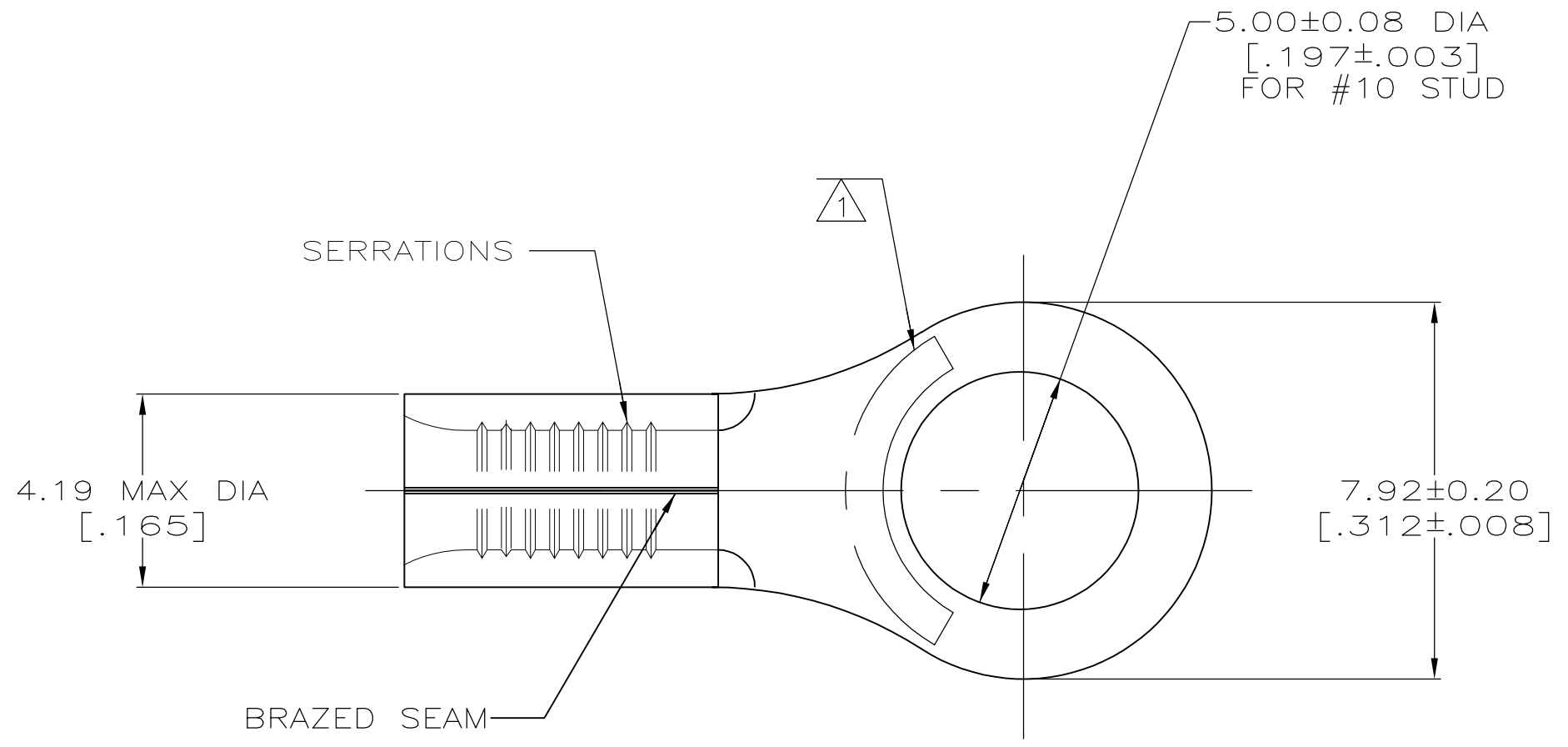


THIS DRAWING IS UNPUBLISHED. RELEASED FOR PUBLICATION  
 © COPYRIGHT - By - ALL RIGHTS RESERVED.

LOC	DIST	REVISIONS			SU
P	LTR	DESCRIPTION	DATE	OWN	APVD
G	14	C2	REVISED PER ECO-11-004917	11MAR11	RK HMR



<b>AMP</b> WIRE RANGE	Listed FILE E13288	LR7189 Certified
16-14 AWG SOLID OR STRANDED	16-14 AWG SOLID OR STRANDED	16-14 AWG SOLID OR STRANDED

- ① STAMP AMP 16-14\* APPROX AS SHOWN
- ② COPPER PER ASTM B-152, ANNEALED
- ③ TIN PLATE 0.00254 [.000100] MIN THK PER ASTM B-545
- ④ MEETS M7928/7-8, CLASS 1 & 2
- ⑤ MEETS M7928/7-8, CLASS 2
- 6 RECOMMENDED OPERATING TEM IS 170°C MAX
- 7 WIRE CROSS SECTIONAL AREA RANGE IS 1.04-2,62mm<sup>2</sup> [2,050-5,180] CMA

5000	ON TAPE	⑤ 2-320093-1
----	LOOSE PIECE	④ 320093
QUANTITY	PACKAGING TYPE	PART NO.

THIS DRAWING IS A CONTROLLED DOCUMENT.		DWN TA BRINKMAN 3-17-93	<b>STE</b> TE Connectivity	
DIMENSIONS: mm[INCHES]		CHK DA PATTERSON 3-17-93		
TOLERANCES UNLESS OTHERWISE SPECIFIED:		APVD JL MECKLEY 3-17-93	NAME TERMINAL, RING TONGUE, SOLISTRAND	
0 PLC ± -	1 PLC ± -	PRODUCT SPEC	SIZE CAGE CODE DRAWING NO RESTRICTED TO	
2 PLC ± -	3 PLC ± -	APPLICATION SPEC	A2 00779 G-320093	
4 PLC ± -	ANGLES ± ± -	WEIGHT	SCALE 8:1 SHEET 1 OF 1 REV C2	
MATERIAL	FINISH	CUSTOMER DRAWING		

单击下面可查看定价，库存，交付和生命周期等信息

[>>TE Connectivity\(泰科\)](#)