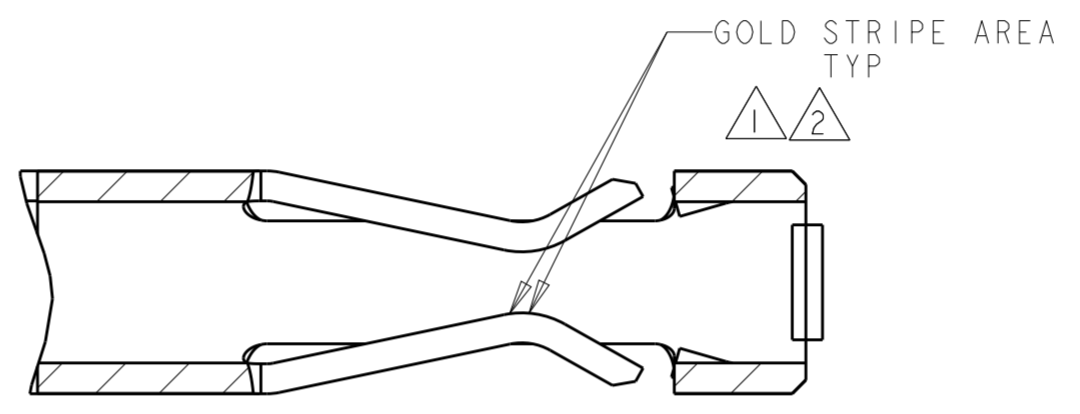
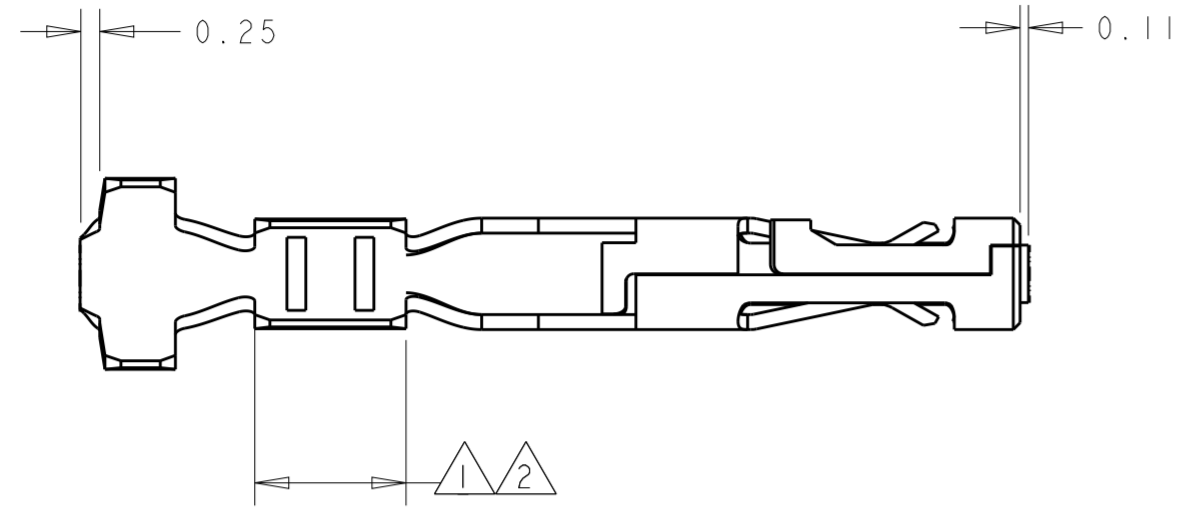
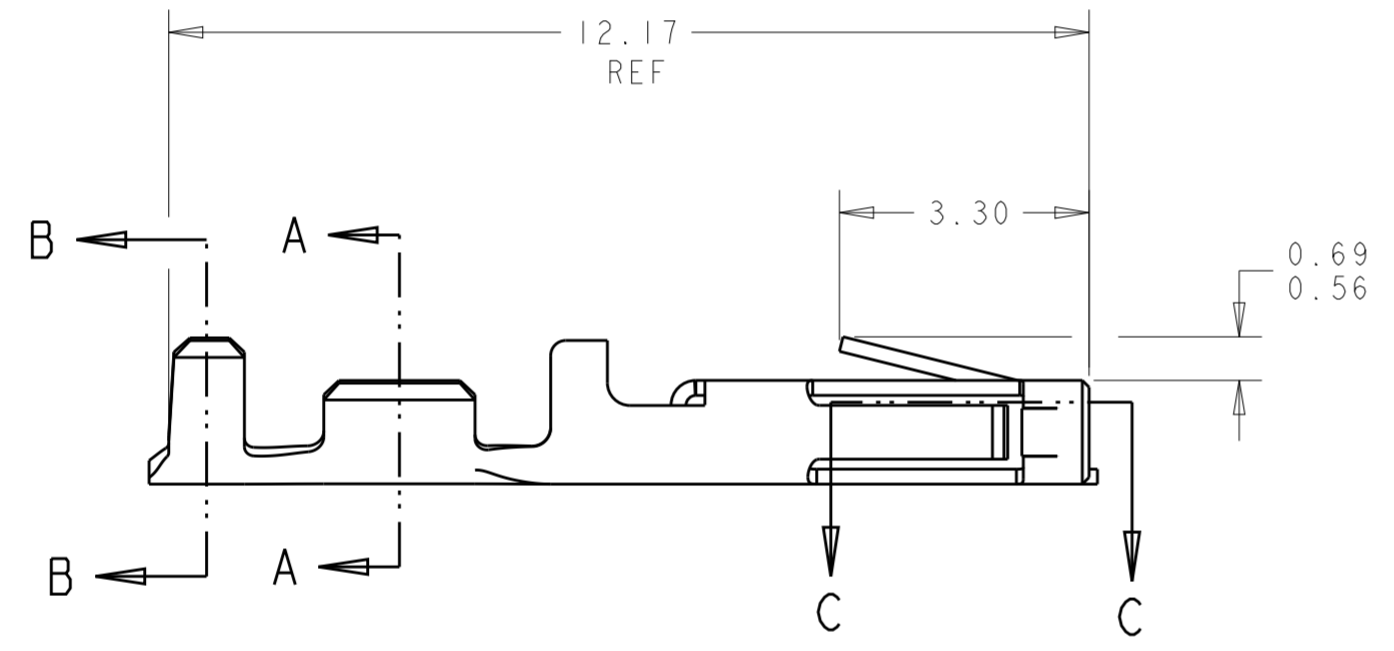


THIS DRAWING IS UNPUBLISHED. RELEASED FOR PUBLICATION
 © COPYRIGHT 20 BY - ALL RIGHTS RESERVED.

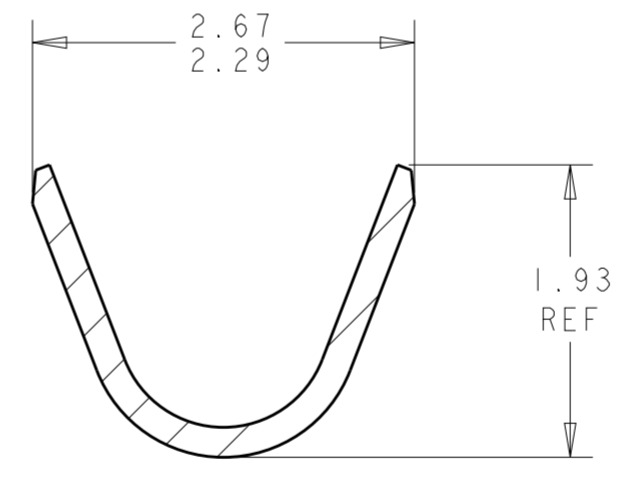
| LOC | DIST | REVISIONS | | | | | |
|-----|------|-----------|-----|---------------------------|-----------|-----|------|
| CM | 53 | P | LTR | DESCRIPTION | DATE | DWN | APVD |
| | | D1 | | REVISED PER ECO-11-005027 | 16MAR2011 | RK | HMR |
| | | D2 | | REVISED PER ECR-18-006831 | 12JUN2018 | JB | DZ |
| | | D3 | | ECO-19-006909 | 03MAY2019 | AP | WS |



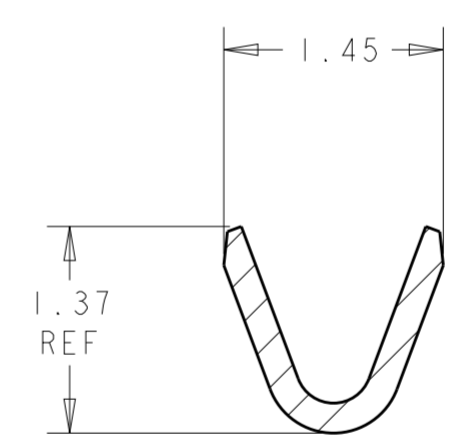
- 1 0.000762 THK GOLD STRIPE IN THE GOLD PLATE AREA, BRIGHT TIN IN THE CRIMP AREA, OVER NICKEL PLATE.
- 2 0.000381 THK GOLD STRIPE IN THE GOLD PLATE AREA, BRIGHT TIN IN THE CRIMP AREA, OVER NICKEL PLATE.
- 3 0.0015 - 0.0040 THK BRIGHT TIN.
- 4 WIRE RANGE: 26 - 30 AWG.
- 5 INSULATION RANGE 0.89 - 1.524.
- 7 0.000762 THK GOLD STRIPE IN THE GOLD PLATE AREA, BRIGHT TIN-LEAD IN THE CRIMP AREA, OVER NICKEL PLATE.
- 8 0.000381 THK GOLD STRIPE IN THE GOLD PLATE AREA, BRIGHT TIN-LEAD IN THE CRIMP AREA, OVER NICKEL PLATE.



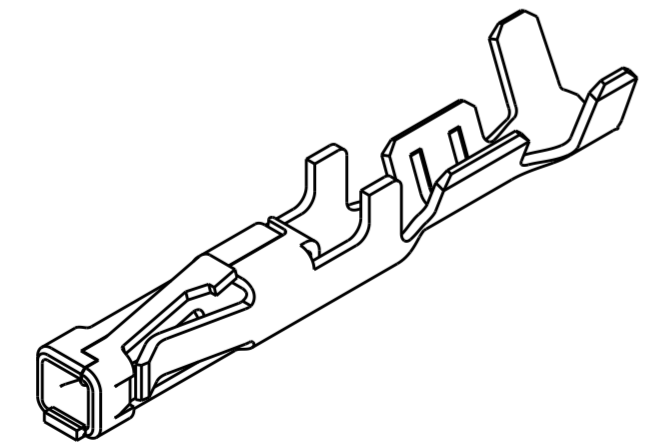
SECTION C-C
SCALE 20:1



SECTION B-B
SCALE 20:1



SECTION A-A
SCALE 20:1



3 DIMENSIONAL MODEL
SCALE 8:1

| | | |
|---------------|--------------|---------------------|
| | 1 | 1-794611-2 |
| | 2 | 1-794611-1 |
| SUPERSEDED BY | 1 | 794611-3 |
| SUPERSEDED BY | 8 | 794611-2 |
| | 3 | 794611-1 |
| REMARKS | FINISH | PART NUMBER |

| | | | | |
|--|---------------|-----------------------------------|--|---------------|
| THIS DRAWING IS A CONTROLLED DOCUMENT. | | DWN K. WHITAKER 19-OCT-1999 | TE Connectivity | |
| DIMENSIONS: mm | | CHK K. COBLE 19-OCT-1999 | | |
| TOLERANCES UNLESS OTHERWISE SPECIFIED: | | APVD K. COBLE 19-OCT-1999 | NAME | |
| 0 PLC ± | 1 PLC ± | PRODUCT SPEC | CONTACT, RECEPTACLE, CRIMP SNAP-IN, MICRO MATE-N-LOK(TM) | |
| 2 PLC ±0.13 | 3 PLC ± | 108-1836 | SIZE | CAGE CODE |
| 4 PLC ± | ANGLES ±0.30' | 114-13000 | A2 | 00779 |
| MATERIAL | FINISH | WEIGHT | DRAWING NO | RESTRICTED TO |
| 0.2 PH BRZ | SEE TABLE | - | C-794611 | - |
| CUSTOMER DRAWING | | | SCALE 10:1 | SHEET 1 OF 1 |

单击下面可查看定价，库存，交付和生命周期等信息

[>>TE Connectivity\(泰科\)](#)