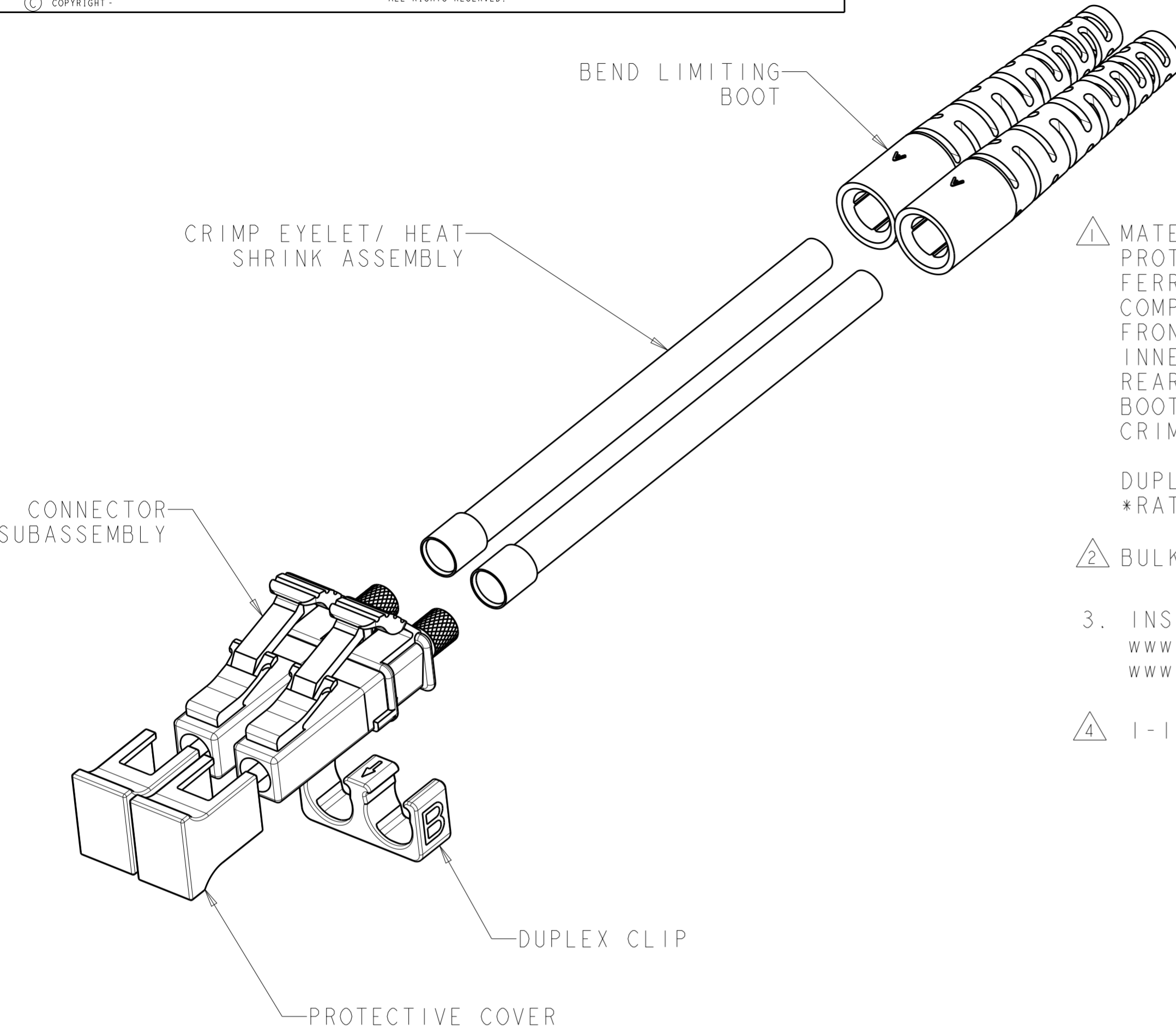


THIS DRAWING IS UNPUBLISHED. RELEASED FOR PUBLICATION
 © COPYRIGHT - ALL RIGHTS RESERVED.

LOC	DIST	REVISIONS					
		P	LTR	DESCRIPTION	DATE	DWN	APVD
HG	-		FI	CORRECT MATERIAL DESC IN NOTE 1	26AUG15	SW	RZ

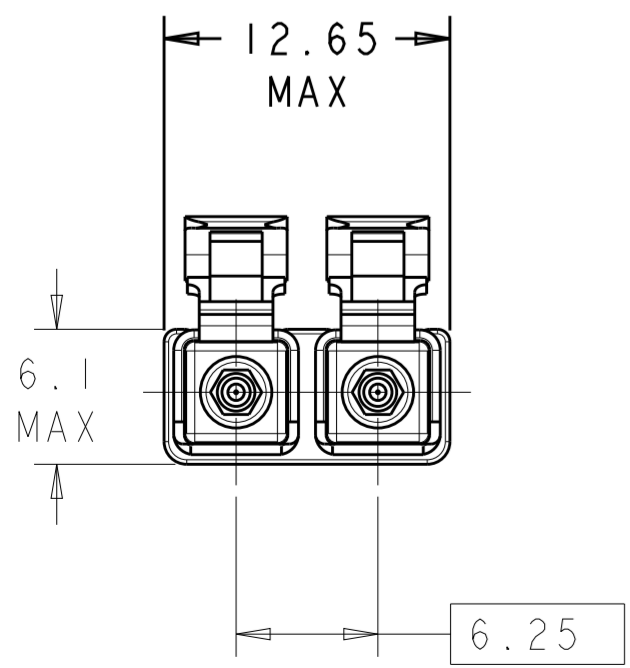
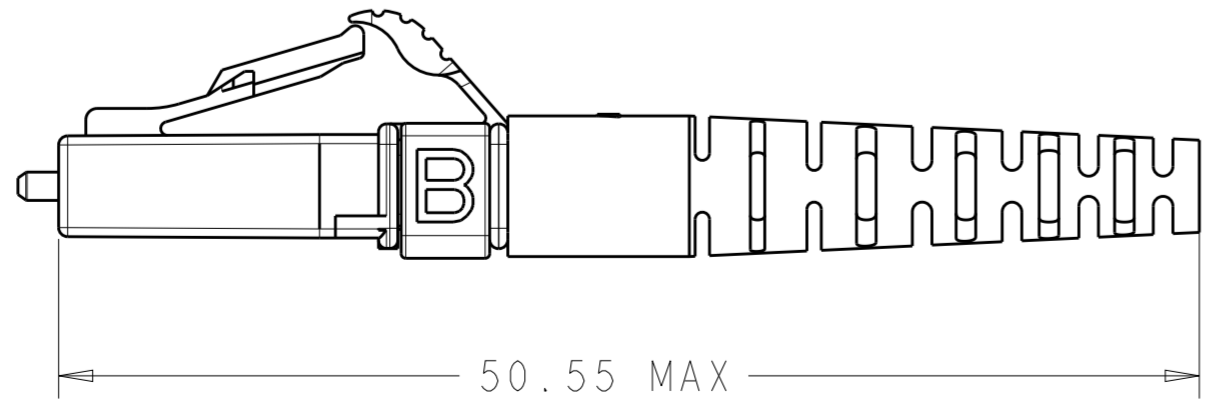
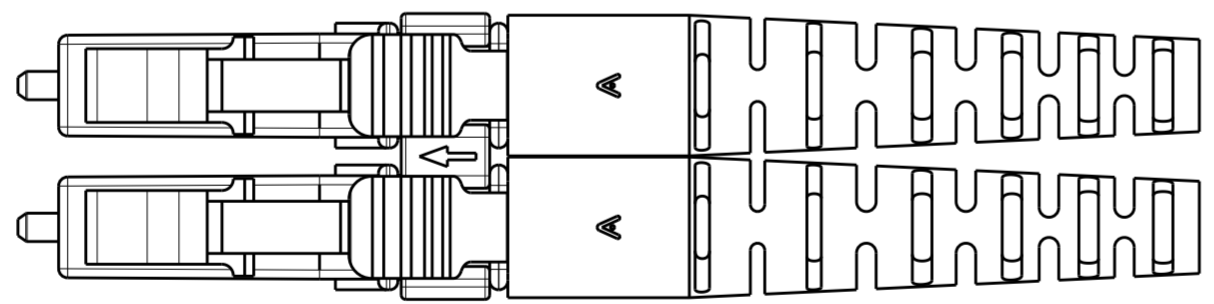


- 1 MATERIAL
 PROTECTIVE COVER: PP, COLOR: WHITE, UL94 V-0*
 FERRULE SUBASSEMBLY: ZIRCONIA/METAL
 COMPRESSION SPRING: STAINLESS STEEL
 FRONT HOUSING: PEI, COLOR: BEIGE, UL94 V-0*
 INNER TUBING: PTFE, COLOR: CLEAR, UL VW-1
 REAR BODY: METAL
 BOOT: PP, UL94 V-0*, SEE TABLE FOR COLOR.
 CRIMP EYELET/HEAT SHRINK ASSY: ALUM. ALLOY, HEAT SHRINK: POLYOLEFIN, UL VW-1,
 COLOR: WHITE AND YELLOW
 DUPLEX CLIP: PEI, COLOR: BEIGE, UL94 V-0*
 *RATED AT QUALIFYING THICKNESS.

2 BULK PACKAGED.

3. INSTRUCTION SHEET: 408-8675 AVAILABLE FOR DOWNLOAD AT
www.tycoelectronics.com/documents OR
www.ampnetconnect.com/foguide.

4 1-1918373-0 DOESN'T CONTAIN CRIMP EYELET/ HEAT SHRINK ASSEMBLIES AND BOOTS.



HEAT SHRINK COLOR	BOOT COLOR	PART NUMBER
-	-	1-1918373-0
WHITE/YELLOW	WHITE	1918373-9
WHITE	BLUE	1918373-8
WHITE/YELLOW	BEIGE	1918373-7
WHITE	BLACK	1918373-6
WHITE	AQUA	1918373-5
WHITE	BLACK	1918373-4
WHITE	AQUA	1918373-3
WHITE	BEIGE	1918373-2
WHITE	BEIGE	1918373-1

THIS DRAWING IS A CONTROLLED DOCUMENT.

DWN: B. BRIGGS 21APR2006
 CHK: D. ROHDE 21APR2006
 APVD: D. BAECHTLE 21APR2006

STE TE Connectivity

NAME: KIT, CONNECTOR, LC, DUPLEX, MM, 1.6-2.0mm JACKET

SIZE: A2 CAGE CODE: - DRAWING NO: C-1918373 RESTRICTED TO: -

MATERIAL: 1 - DIMENSIONS: mm TOLERANCES UNLESS OTHERWISE SPECIFIED: 0 PLC ±, 1 PLC ±, 2 PLC ±, 3 PLC ±, 4 PLC ±, ANGLES ±, FINISH -

APPLICATION SPEC: - WEIGHT: -

CUSTOMER DRAWING SCALE: 3:1 SHEET 1 OF 1 REV: FI

单击下面可查看定价，库存，交付和生命周期等信息

[>>TE Connectivity\(泰科\)](#)