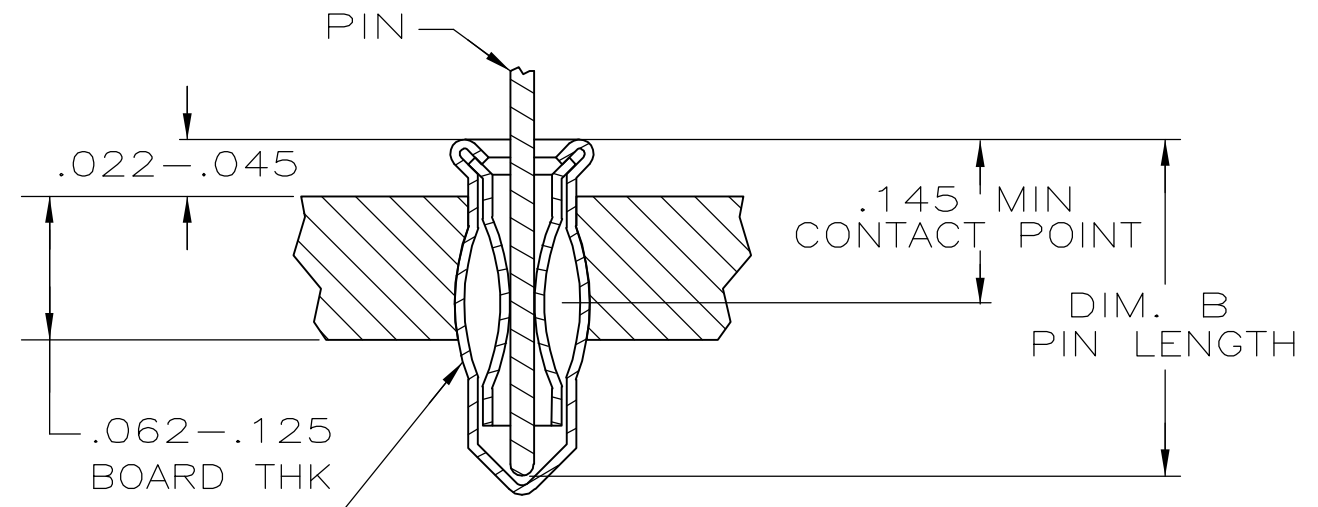
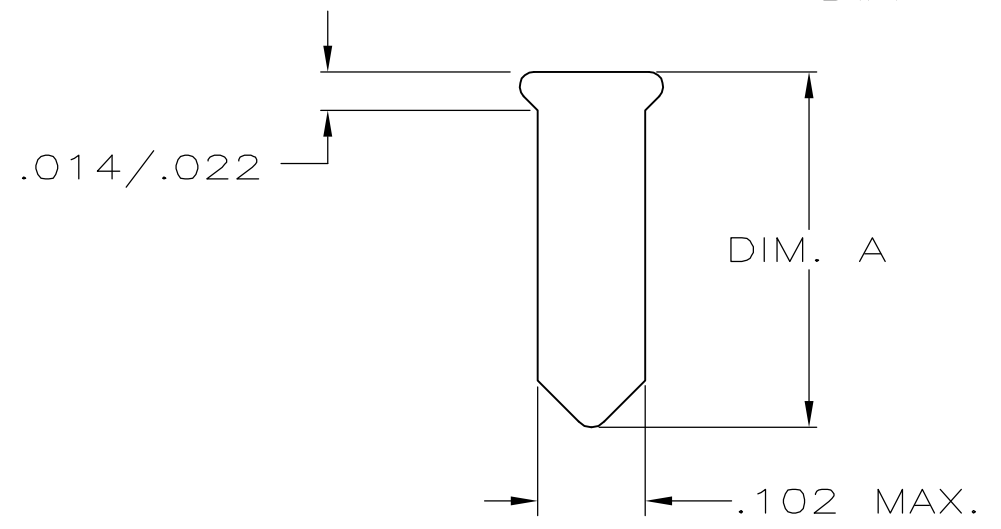
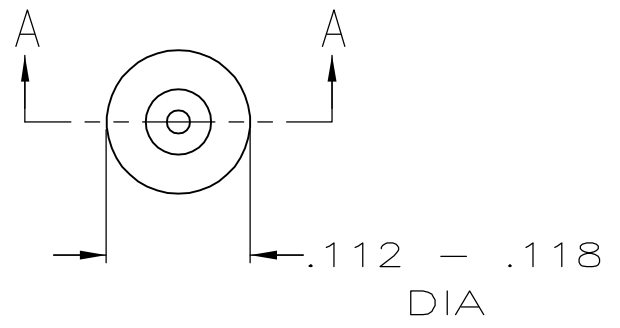


THIS DRAWING IS UNPUBLISHED. RELEASED FOR PUBLICATION
 © COPYRIGHT - BY TYCO ELECTRONICS CORPORATION. ALL RIGHTS RESERVED.

LOC	DIST	REVISIONS					
AG	53	P	LTR	DESCRIPTION	DATE	DWN	APVD
			A	REVISED PER ECO-06-001742	31JAN06	JDP	JGH



MSS INSERTION MACHINE CAPABLE OF OVALIZING SOCKET FOR RETENTION IN PC BOARD WITH .104±.003 DIA HOLE PRIOR TO SOLDERING OPERATION

- MATERIAL:
EYELET: COPPER PER ASTM B 152
SPRING: BERYLLIUM COPPER PER ASTM B 194
- TIN PLATE PER ASTM B 545 .000100 MIN THICK.
- GOLD PLATE PER ASTM B 488 .000030 MIN THICK OVER NICKEL PLATE PER QQ-N-2900N CONTACT AREA.
- TO INSURE 1/2 OZ MIN RETENTION DO NOT EXCEED .004 DIFFERENCE IN PIN DIA WHEN CHANGING TO A SMALLER DIA PIN.
- HOLE SIZE FOR HAND INSERTION .105±.002.

.275 MAX	.308±.008	.042.649	GOLD ³	TIN ²	5645980-2
			TIN ²	TIN ²	5645980-1
DIM. B	DIM. A	DIA ⁴	SPRING	EYELET	PART NO
PIN			FINISH		

THIS DRAWING IS A CONTROLLED DOCUMENT.		DWN L. VARELA - DOCK5 19APR2005	Tyco Electronics Corporation Harrisburg, PA 17105-3608		
DIMENSIONS: INCHES		CHK J. HAVENER 19APR2005	NAME MINIATURE SPRING SOCKET ASSEMBLY		
TOLERANCES UNLESS OTHERWISE SPECIFIED:		APVD J. HAVENER 19APR2005	PRODUCT SPEC 108-14008		
0 PLC ± -		APPLICATION SPEC 114-13152		SIZE A3	CAGE CODE 00779
1 PLC ± -		WEIGHT -		DRAWING NO C=5645980	RESTRICTED TO -
2 PLC ± -		CUSTOMER DRAWING			
3 PLC ± -		SCALE NTS		SHEET 1 OF 1	REV A
4 PLC ± -					
ANGLES ± -					
MATERIAL NOTE 1		FINISH SEE TABLE			

SECTION A-A

单击下面可查看定价，库存，交付和生命周期等信息

[>>TE Connectivity\(泰科\)](#)