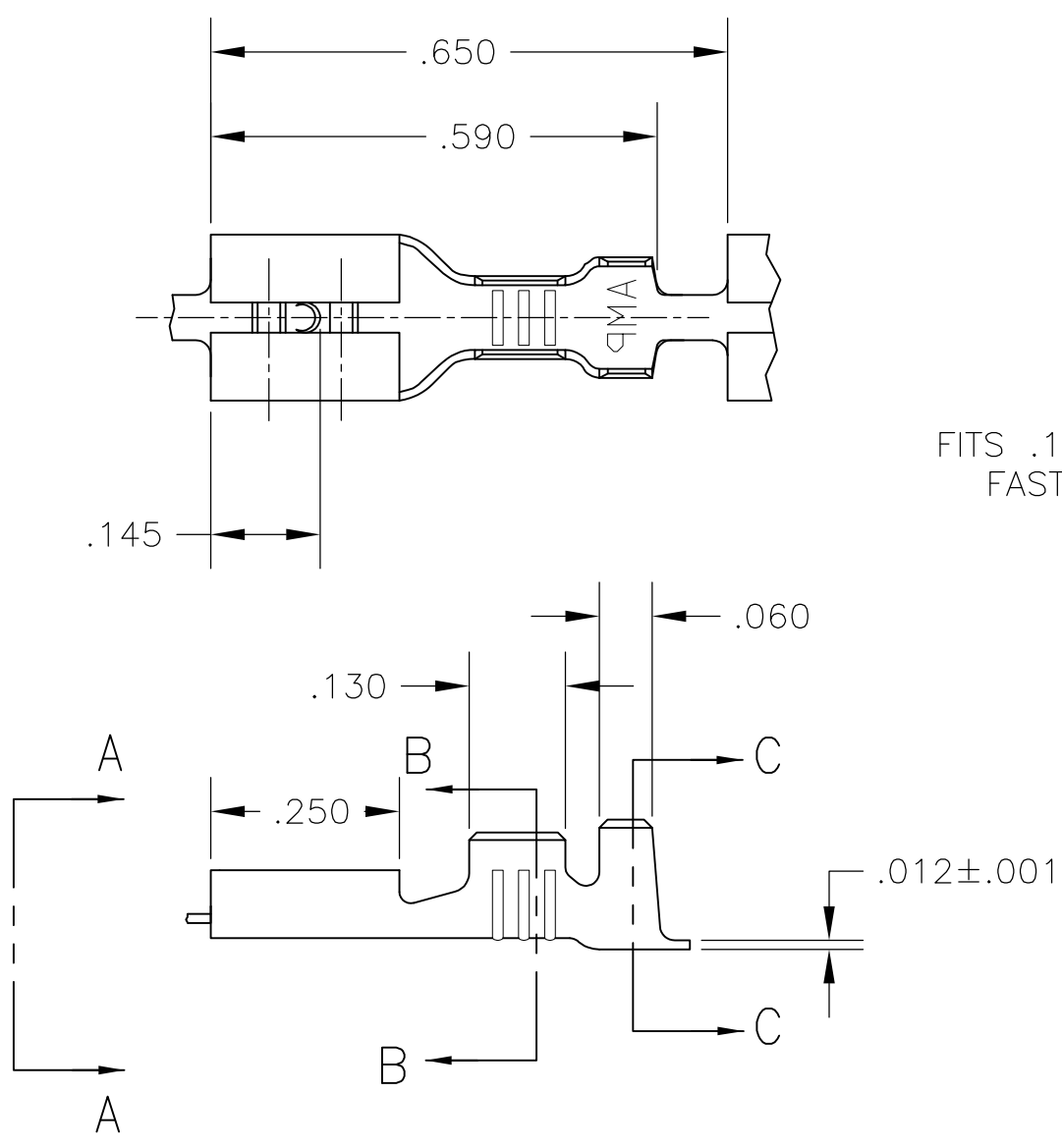


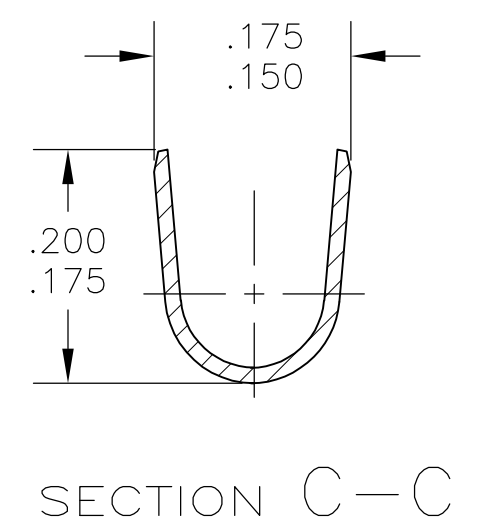
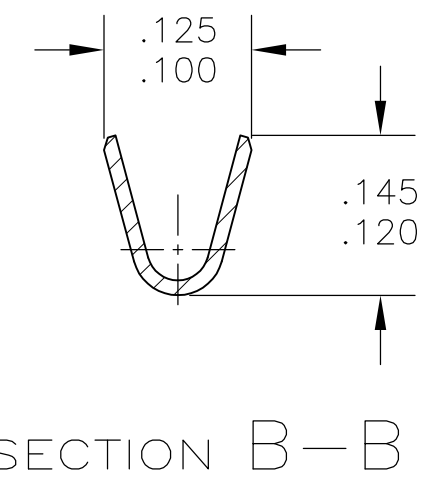
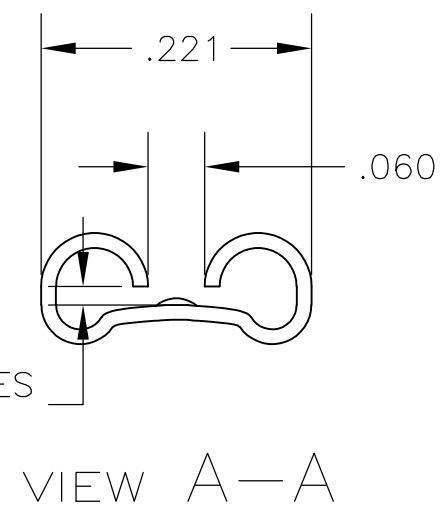
THIS DRAWING IS UNPUBLISHED. RELEASED FOR PUBLICATION
 © COPYRIGHT - By - ALL RIGHTS RESERVED.

LOC	DIST	REVISIONS					
AF	50	P	LTR	DESCRIPTION	DATE	DWN	APVD
		B		REVISED PER ECR-12-013518	24NOV12	KH	PD

- CONTINUOUS STRIP ON REELS.
- WIRE SIZE #20-#16 AWG
- INSULATION RANGE IS .090-.130 DIA
- MATING TAB THK IS .020±.001



FITS .187 SERIES
FASTON TAB



TIN	BRASS	157440-2
--	BRASS	157440-1
FINISH	MATERIAL	PART NO.

THIS DRAWING IS A CONTROLLED DOCUMENT.		DWN	JR RUTH	21JAN09
DIMENSIONS: INCHES		CHK	P DESANTIS	21JAN09
TOLERANCES UNLESS OTHERWISE SPECIFIED:		APVD	P DESANTIS	21JAN09
0 PLC ± -		PRODUCT SPEC	-	
1 PLC ± -		APPLICATION SPEC	-	
2 PLC ± -		WEIGHT	-	
3 PLC ± .015		CUSTOMER DRAWING		
4 PLC ± -		SCALE	NTS	
ANGLES ± -		SHEET	1 OF 1	
MATERIAL	SEE ABOVE	FINISH	SEE ABOVE	REV
				B

STE TE Connectivity

NAME: RECEPTACLE, FASTON, .187 SERIES

SIZE: A3 CAGE CODE: 00779 DRAWING NO: C-157440 RESTRICTED TO: -

单击下面可查看定价，库存，交付和生命周期等信息

[>>TE Connectivity\(泰科\)](#)