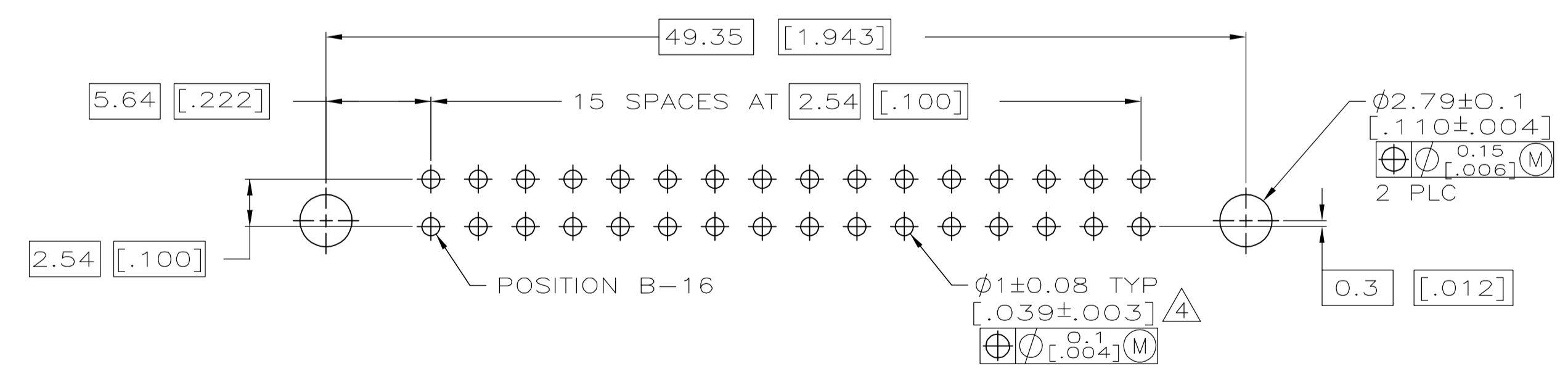
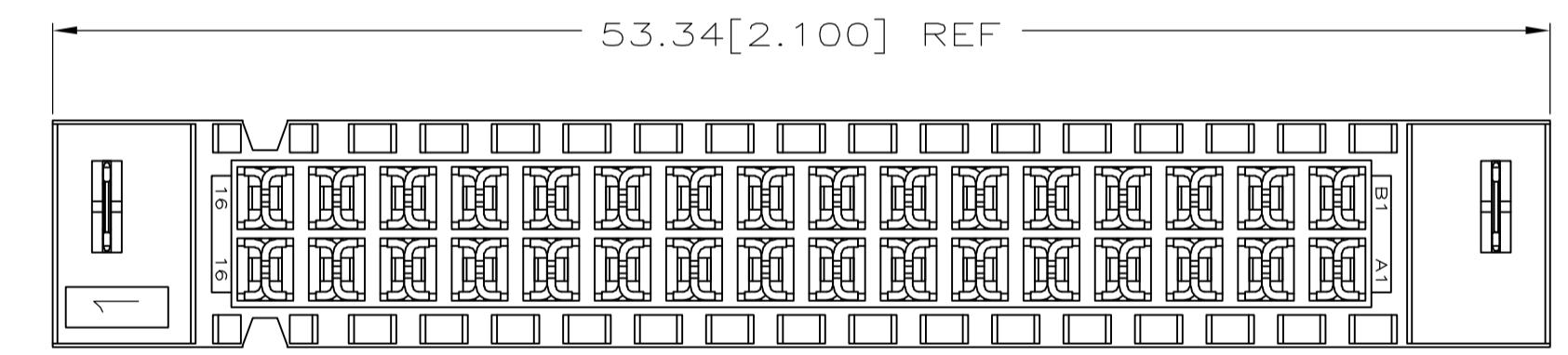
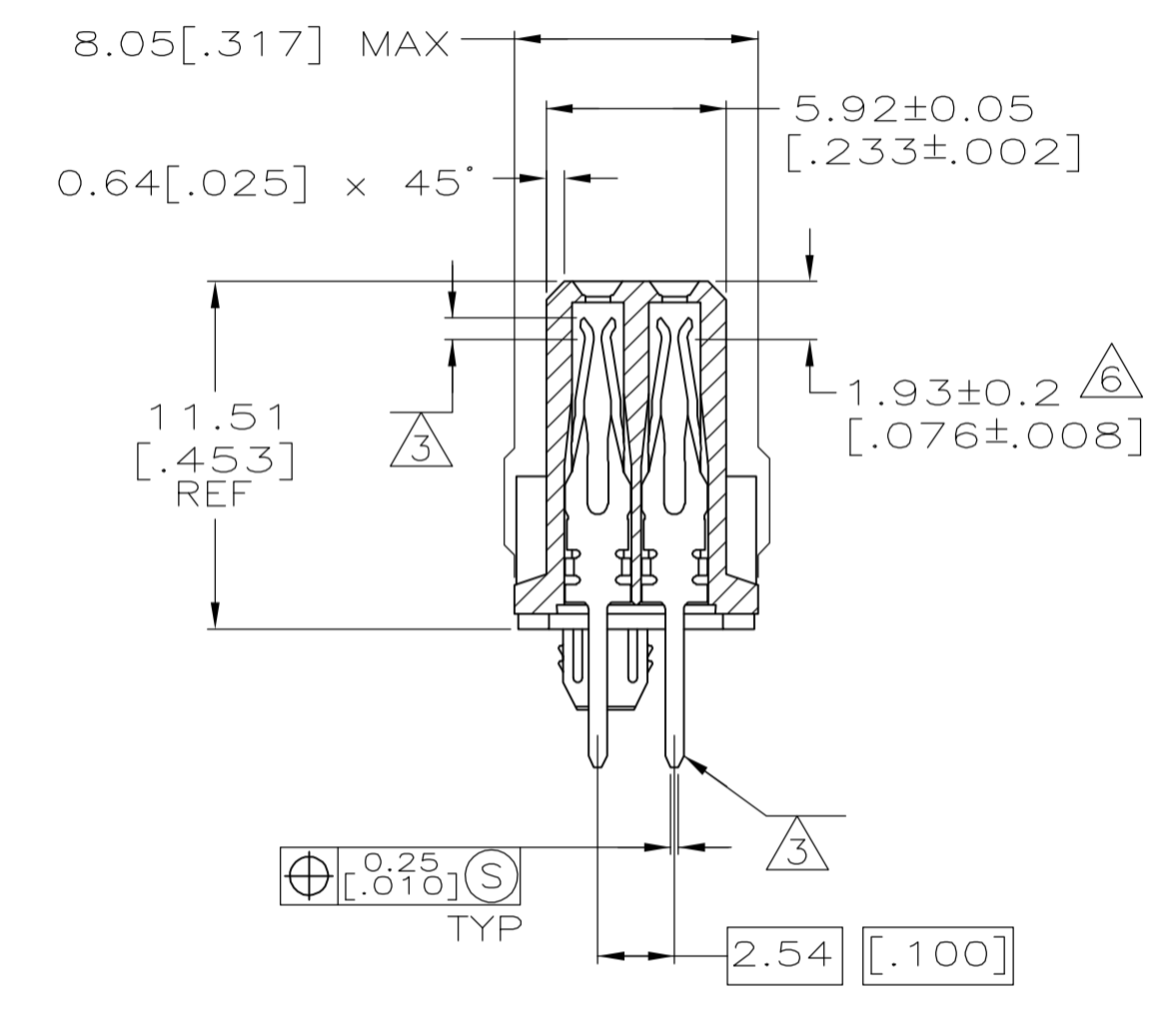
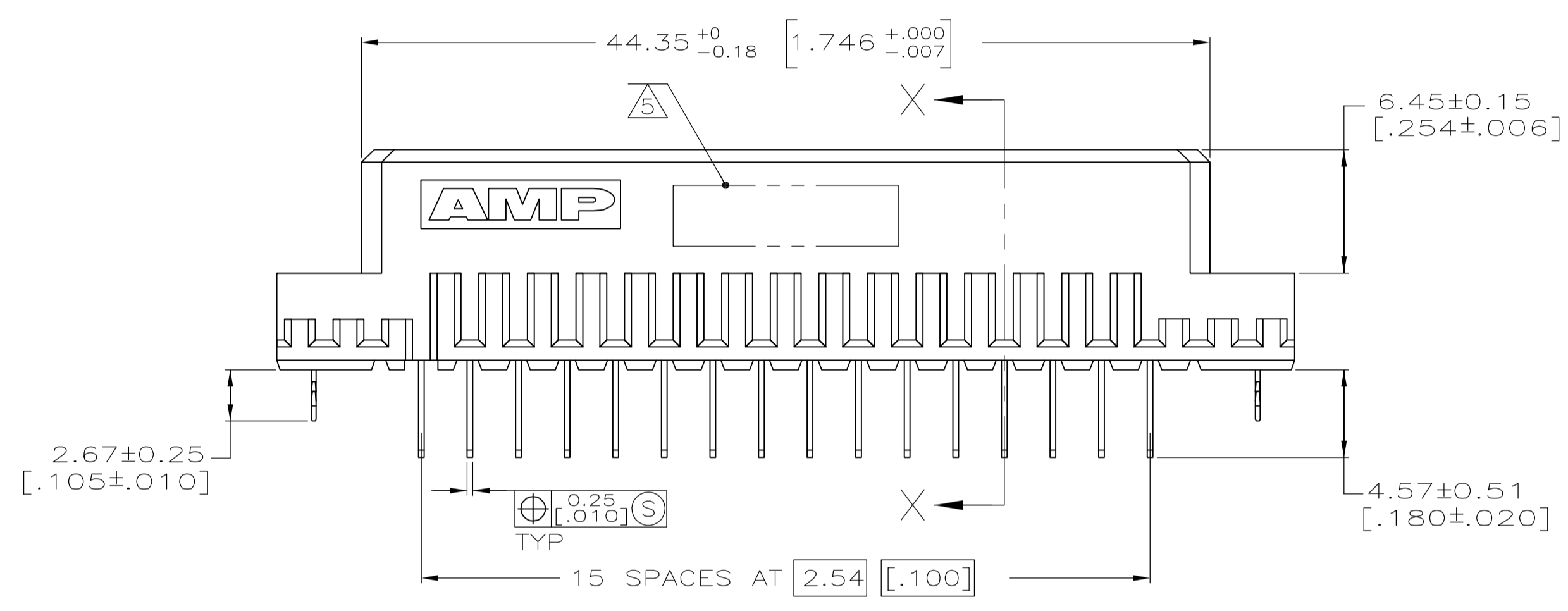
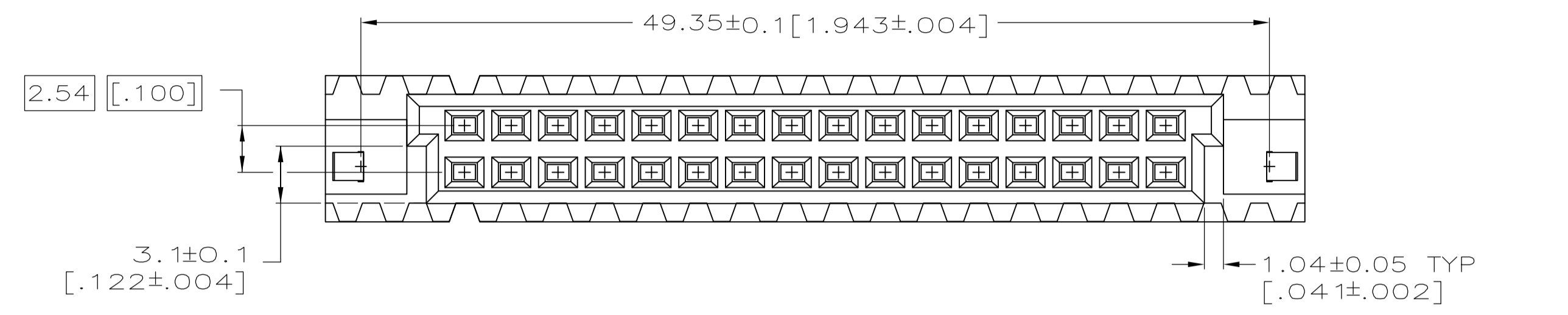


- △ HOUSING MATERIAL: GLASS-FILLED POLYMER.
- △ CONTACT MATERIAL: COPPER ALLOY.
- △ CONTACT FINISH: DIN 41612 CLASS 2 IN CONTACT AREA. TIN PLATE ON POSTS.
- △ RECOMMENDED HOLE SIZE FOR MANUAL APPLICATION OF CONNECTOR ONTO PC BOARD.
- △ PART NUMBER, DATE CODE IDENTIFICATION, CSA LOGO IN THIS APPROXIMATE AREA ON OPPOSITE SIDE SHOWN.
- △ CONTACT POINT.



PC BOARD LAYOUT

1-16	X	X	32	5536461-5
POSITIONS LOADED	B	A	NO. OF LOADED POSITIONS	ASSY PART NUMBER
	ROWS LOADED			

THIS DRAWING IS A CONTROLLED DOCUMENT.		DIN J. POLIGNONE 27MAY05	 Tyco Electronics Corporation Harrisburg, Pa 17105-3608
DIMENSIONS: mm [INCHES]		GIK A. SHARPE 27MAY05	
TOLERANCES UNLESS OTHERWISE SPECIFIED:		APVD A. SHARPE 27MAY05	NAME
0 PLC ± -	1 PLC ± -	2 PLC ± -	ASSEMBLY, RECEPTACLE, EUROCARD, TYPE B, LEAD-FREE, 32 POSITION, 4.57[.180] SOLDER POSTS WITH BOARD-LOCKS
3 PLC ± 0.13[.005]	4 PLC ± -	ANGLES ± -	APPLICATION SPEC
MATERIAL		FINISH	SIZE CAGE CODE DRAWING NO
△1 △2		△3	A1 00779 C=5536461
CUSTOMER DRAWING		SCALE 4:1	SHEET 1 OF 1 REV 0

单击下面可查看定价，库存，交付和生命周期等信息

[>>TE Connectivity\(泰科\)](#)