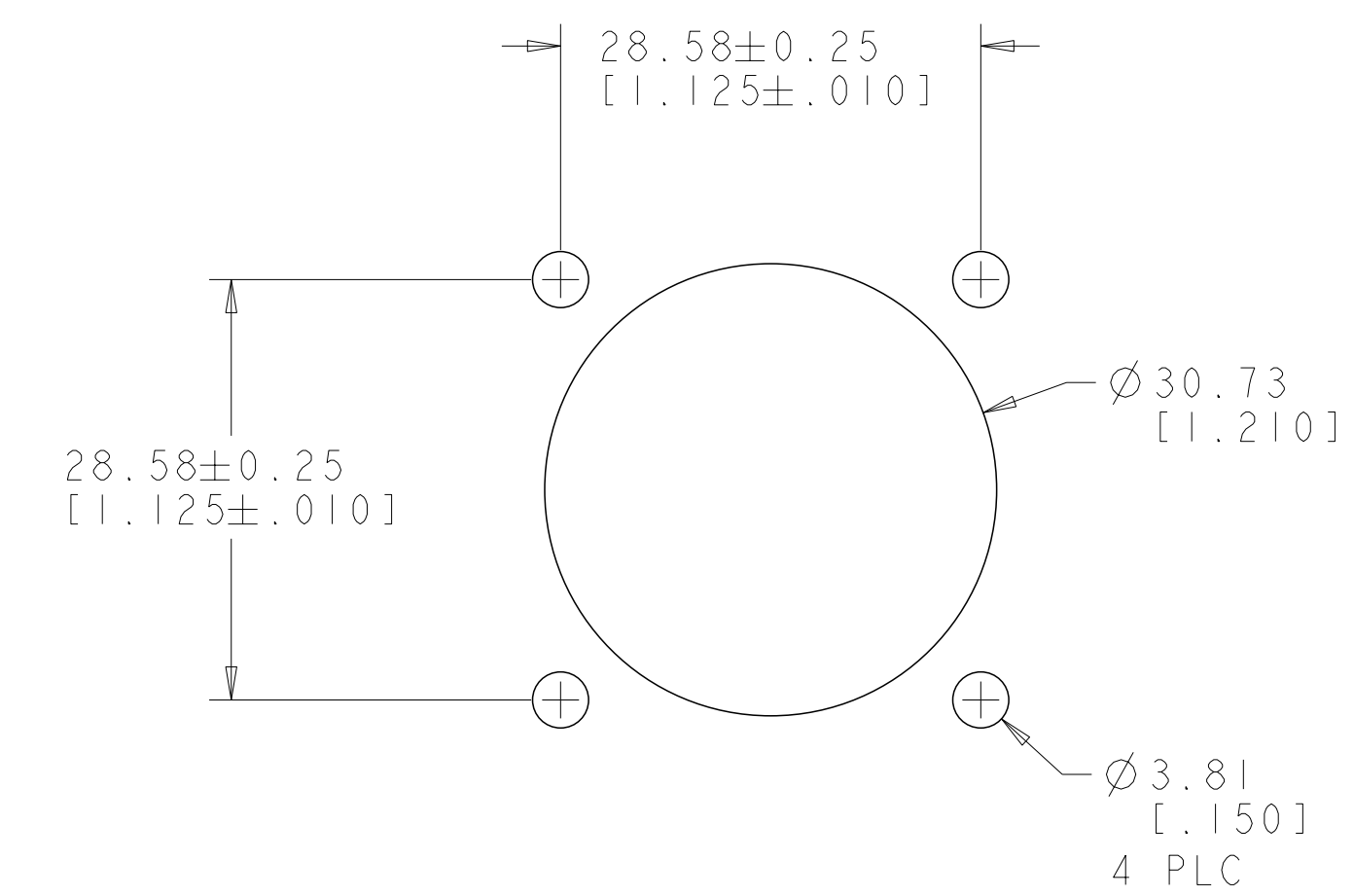
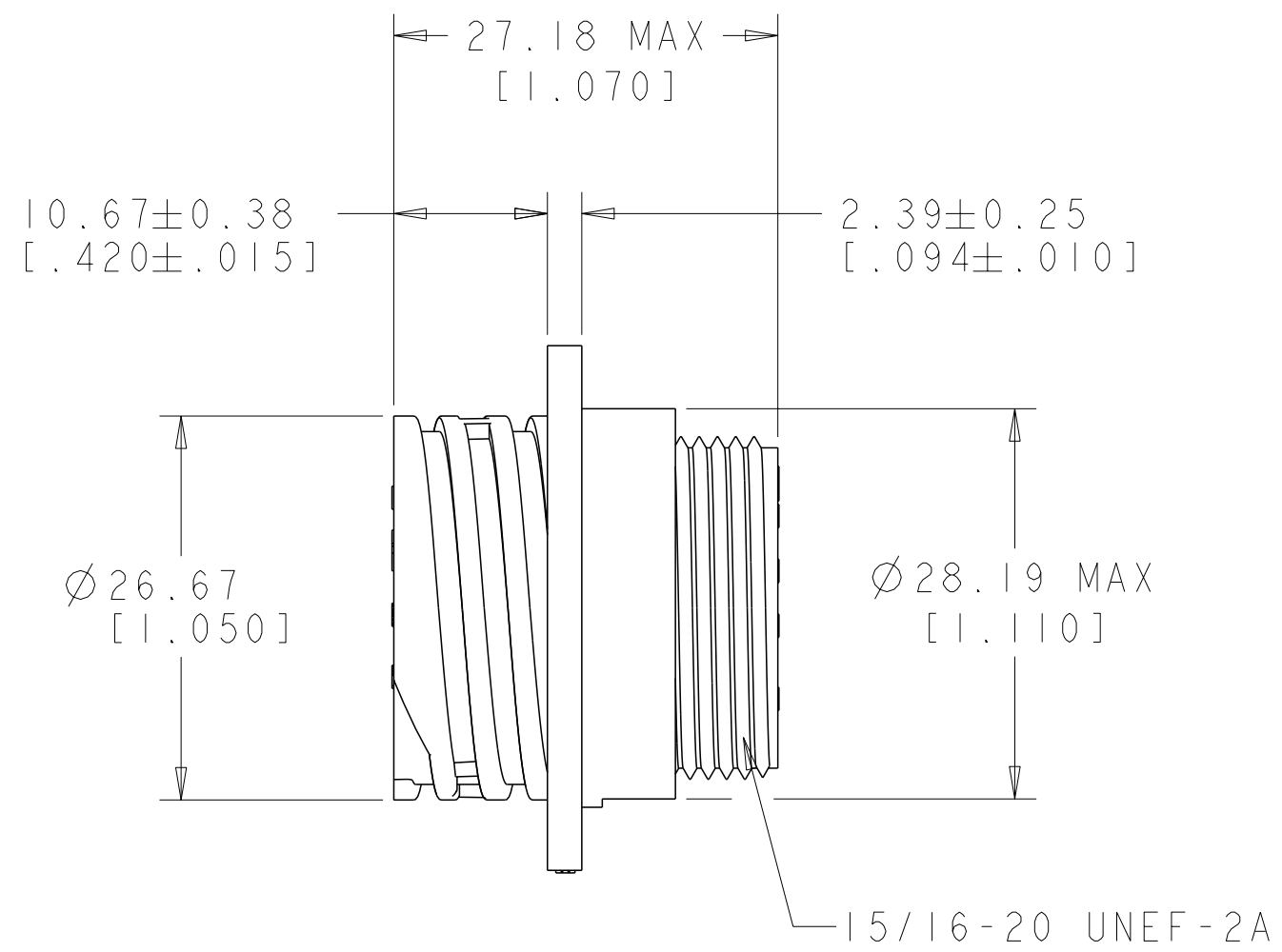
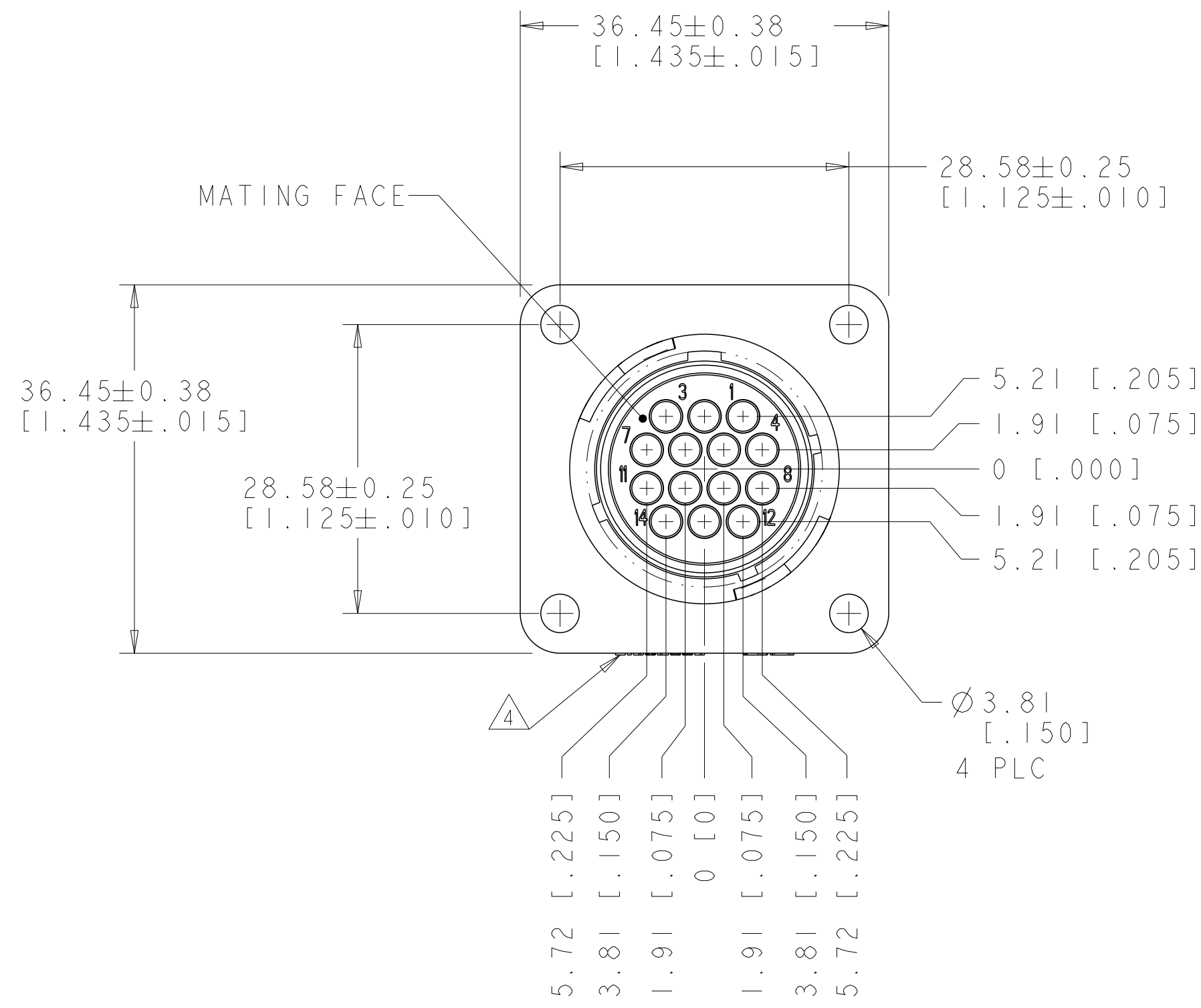


P	LTR	DESCRIPTION	DATE	DWN	APVD
C		REVISED PER ECO-21-006943	18OCT2021	RK	MZ



RECOMMENDED PANEL CUTOUT
3.18[.125] MAX PANEL THICKNESS

- △ NYLON, BLACK.
- 2. HOUSING WILL ACCEPT 14 MULTIMATE SOCKET CONTACTS.
- 3. CAVITY IDENTIFICATION ON FRONT AND REAR FACE.
- △ TE LOGO AND PART NUMBER LOCATED ON ANY FLANGE EDGE

796437-2
PART NUMBER

THIS DRAWING IS A CONTROLLED DOCUMENT.		DWN S. WELDON 31MAR100	TE Connectivity	
DIMENSIONS: mm[INCHES]		CHK M. CHACKO 31MAR100		
TOLERANCES UNLESS OTHERWISE SPECIFIED:		APVD M. CHACKO 31MAR100	NAME RECEPTACLE HOUSING, SIZE 17-14, REVERSE SEX, CPC	
0 PLC ±.1		PRODUCT SPEC	SIZE	
1 PLC ±0.1		APPLICATION SPEC	CAGE CODE	
2 PLC ±0.02		WEIGHT	DRAWING NO	
3 PLC ±0.005		CUSTOMER DRAWING	RESTRICTED TO	
4 PLC ±0.0005		SCALE 2:1	SHEET 1 OF 1	
ANGLES ±		REV C		
FINISH		A200779C-796437		

Printed on 18 Oct 2021 13:07 (India Standard Time) from FR019765

单击下面可查看定价，库存，交付和生命周期等信息

[>>TE Connectivity\(泰科\)](#)