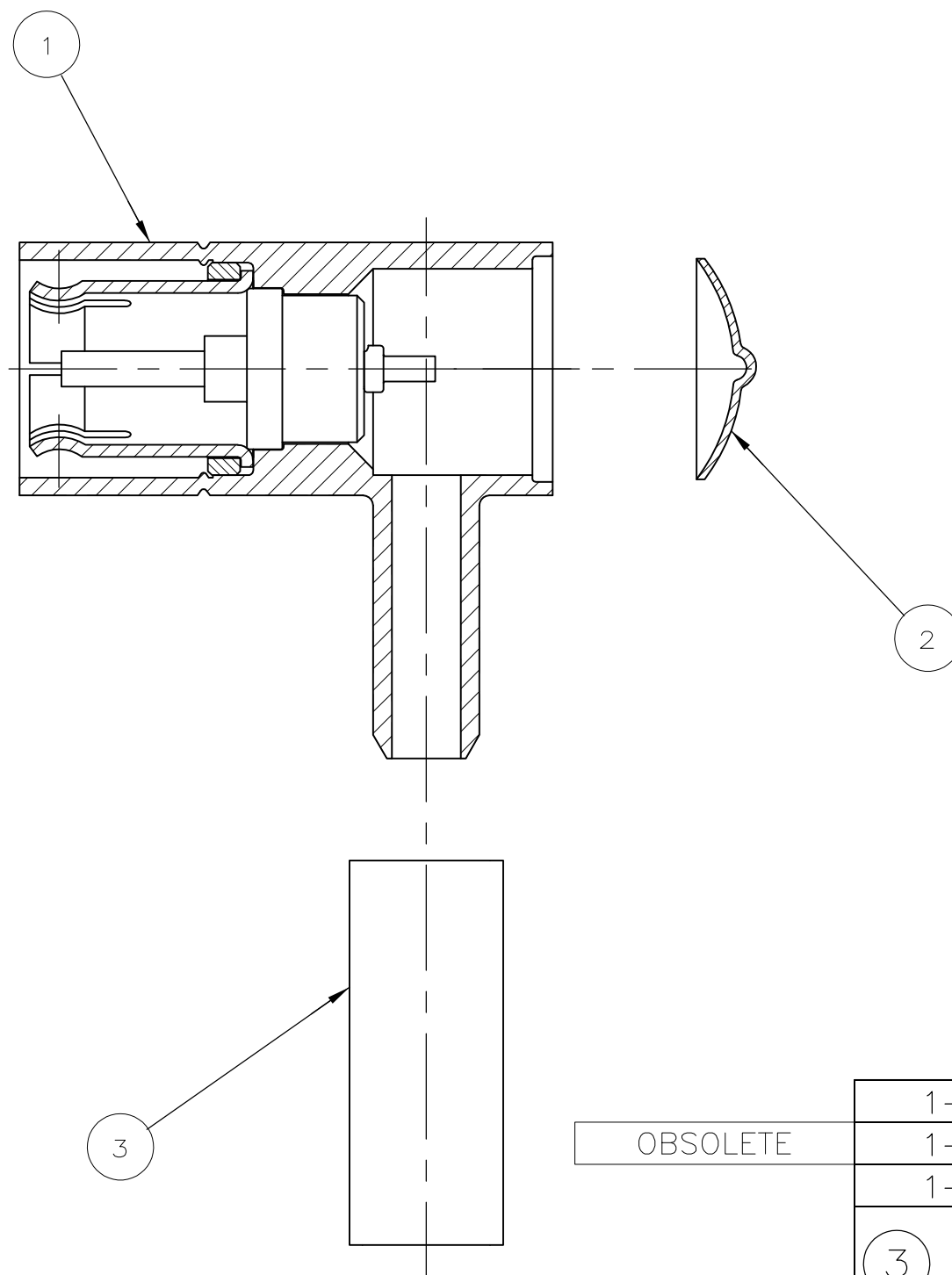


THIS DRAWING IS UNPUBLISHED. RELEASED FOR PUBLICATION

© COPYRIGHT BY TYCO ELECTRONICS CORPORATION. ALL RIGHTS RESERVED.

LOC	DIST	REVISIONS					
AJ	17	P	LTR	DESCRIPTION	DATE	DWN	APVD
			F2	REVISED PER ECO-09-001082	14JUL2009	DW	FB

1. PARTS PACKAGED UNASSEMBLED.



	1-413889-4	414013-3	415485-2	415484-3
	1-413889-3	414013-3	415485-2	415484-2
	1-413889-3	414013-3	415485-1	415484-1
	③ FERRULE QTY=1	② END CAP QTY=1	① PLUG ASSY QTY=1	PART NUMBER

OBSOLETE

THIS DRAWING IS A CONTROLLED DOCUMENT.		DWN B. MOYER 18JUN96	Tyco Electronics Corporation Harrisburg, PA 17105-3608	
DIMENSIONS: INCHES		CHK G. MICHAEL 19JUN96	NAME PLUG, RIGHT ANGLE, 75 Ohm, MINI-SMB	
TOLERANCES UNLESS OTHERWISE SPECIFIED:		APVD G. MICHAEL 19JUN96	PRODUCT SPEC -	
0 PLC ± -		APPLICATION SPEC -	SIZE A3	CAGE CODE 00779
1 PLC ± -		WEIGHT -	DRAWING NO C-415484	RESTRICTED TO -
2 PLC ± -		CUSTOMER DRAWING		
3 PLC ± -		SCALE 6:1		
4 PLC ± -		SHEET 1 OF 1		
ANGLES ± -		REV F2		
FINISH -				

单击下面可查看定价，库存，交付和生命周期等信息

[>>TE Connectivity\(泰科\)](#)