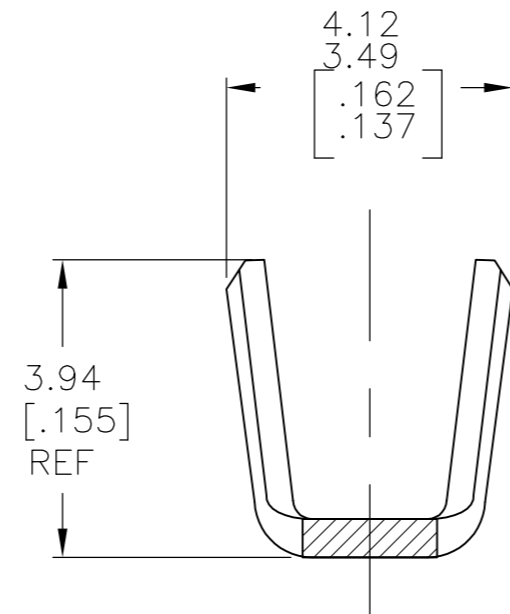
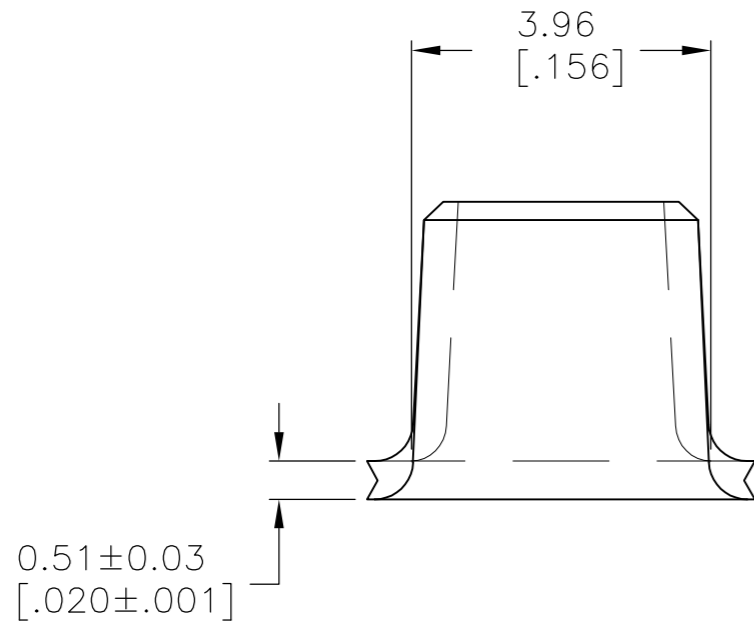
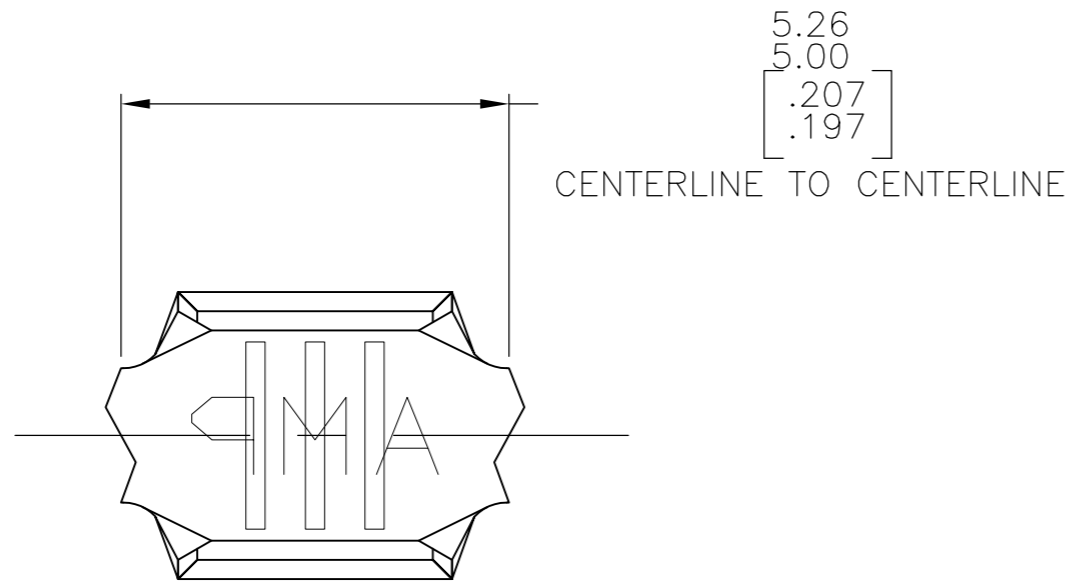


THIS DRAWING IS UNPUBLISHED. RELEASED FOR PUBLICATION
 © COPYRIGHT - By - ALL RIGHTS RESERVED.

LOC	DIST	REVISIONS			
P	LTR	DESCRIPTION	DATE	DWN	APVD
AF	50	K3	REVISED PER ECR-11-006644	05APR11	HMR GJ



- 1 CONTINUOUS STRIP ON REELS.
- 2 TIN PLATE OVER COPPER UNDERPLATE.
- 3 WIRE RANGE FOR NEW APPLICATIONS: 1.27-2.38mm²[2500-4700 CMA]
(WIRE RANGE APPROVED FOR APPLICATIONS IMPLEMENTED PRIOR TO 2005: 2000-5300 CMA).
- 4 OBSOLETE PARTS: OBSOLETE CIS STREAMLINING PER D.RENAUD/D.SINISI
- 5 CRIMP WIDTH:3.05[.120] F TYPE. CRIMP HEIGHT IN INCHES (+/-0.002)=(TOTAL CMA OF WIRES + 12240)/220000.

FINISH	MATERIAL	WIRE RANGE	PART NUMBER
-	H02 COPPER NICKEL	3	61492-3
2	082 BRASS	3	61492-2
-	082 BRASS	3	61492-1

THIS DRAWING IS A CONTROLLED DOCUMENT.		DWN MICHAEL S. FEHER 06MAR2000	STE TE Connectivity	
DIMENSIONS: mm [INCHES]		CHK STEVE HEADER 06MAR2000		
TOLERANCES UNLESS OTHERWISE SPECIFIED:		APVD STEVE HEADER 06MAR2000	NAME SPLICE	
0 PLC ± - 1 PLC ± - 2 PLC ± 0.25[.010] 3 PLC ± - 4 PLC ± - ANGLES ± -		PRODUCT SPEC -	DRAWING NO 114-2088	
MATERIAL SEE TABLE		FINISH SEE TABLE	SIZE A2	CAGE CODE 00779
		WEIGHT -	DRAWING NO C=61492	RESTRICTED TO -
		CUSTOMER DRAWING	SCALE 10:1	SHEET 1 of 1
			REV K3	

单击下面可查看定价，库存，交付和生命周期等信息

[>>TE Connectivity\(泰科\)](#)