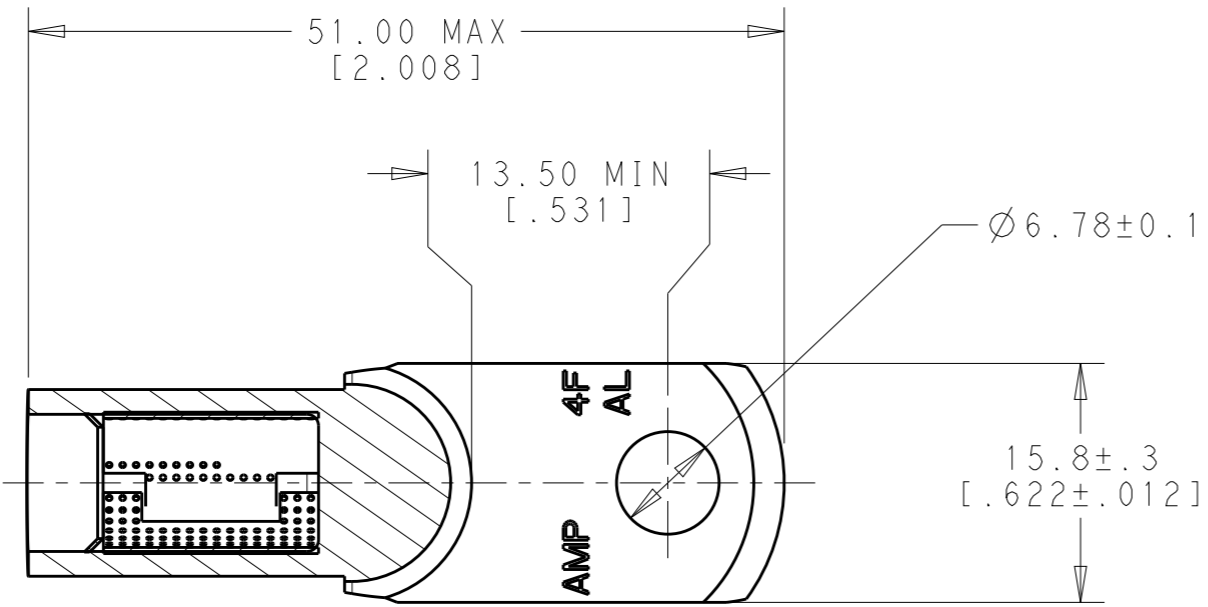


THIS DRAWING IS UNPUBLISHED. RELEASED FOR PUBLICATION 20  
 © COPYRIGHT 20 BY - ALL RIGHTS RESERVED.

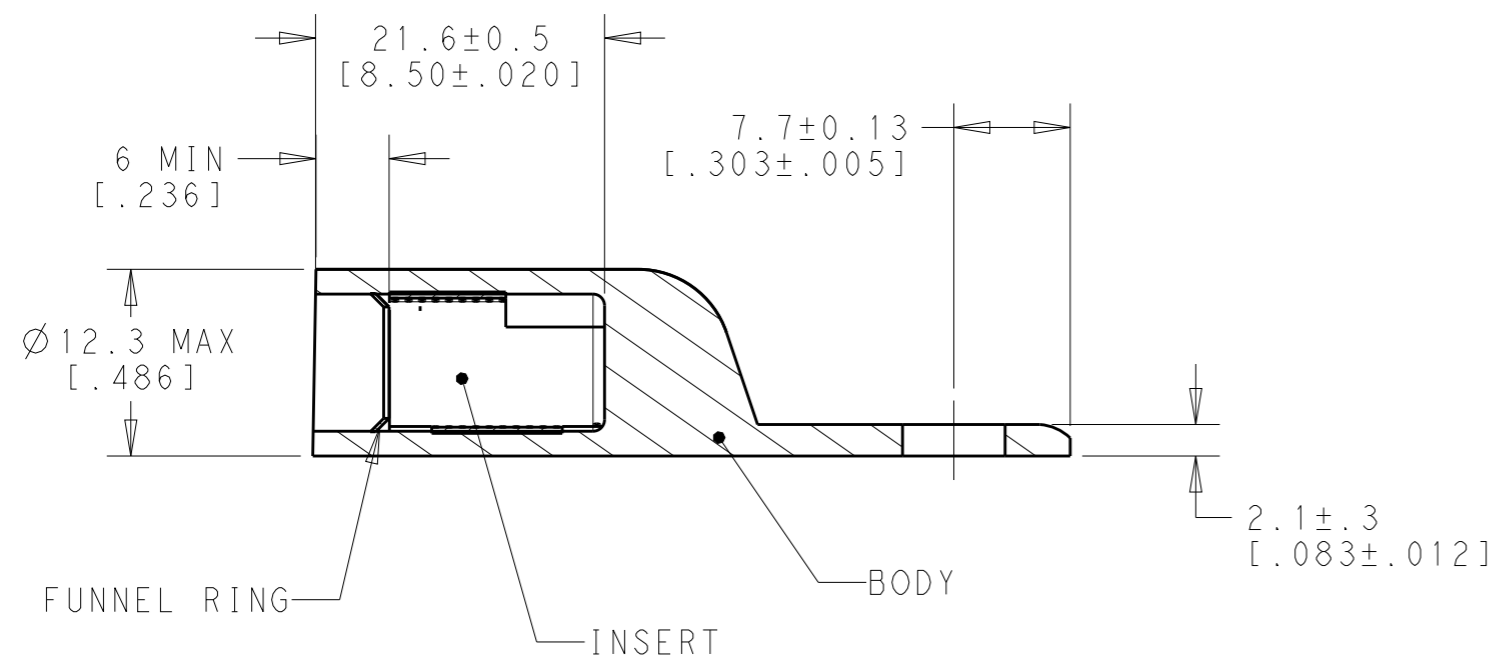
REVISIONS					
P	LTR	DESCRIPTION	DATE	DWN	APVD
	H	REVISED PER ECO-20-002238	7-22-20	CT	PD




REFERENCE: 135148-2

BODY: COPPER ASTM-B187 ANNEALED  
 TIN PLATED 0.003[.000150] MIN THICK  
 PER MIL-T-10727

INSERT AND FUNNEL: BRASS ASTM B36  
 NICKEL PLATED SAE AMS QQ-N-290A  
 DATED JULY 2000, .00254[.000100] MIN THICK



- NOTES:
- 1) WIRE INSULATION: 7.01-7.75 [.276-.305]
  - 2) WIRE CMA: 42331
  - 3) THE TONGUE RADIUS FEATURE IS NOT A TOOLING CONTROLLED DIMENSION AND MAY NOT BE A TRUE RADIUS.
  - 4) WEIGHT: 21 GRAMS

THIS DRAWING IS A CONTROLLED DOCUMENT.		DWN D. BELACK 16SEP2015	 TE Connectivity NAME SEALED COPALUM					
DIMENSIONS: mm [INCH]		CHK P. D'AMATO 16SEP2015				PRODUCT SPEC	SIZE	CAGE CODE
TOLERANCES UNLESS OTHERWISE SPECIFIED:		APVD P. D'AMATO 16SEP2015				APPLICATION SPEC	DRAWING NO	RESTRICTED TO
0 PLC ±- 1 PLC ±- 2 PLC ±- 3 PLC ±- 4 PLC ±- ANGLES ±-		MATERIAL				WEIGHT	A3	-
MATERIAL		FINISH	Customer Drawing	SCALE	SHEET			
				2:1	1 OF 1			
					REV H			

单击下面可查看定价，库存，交付和生命周期等信息

[>>TE Connectivity\(泰科\)](#)