
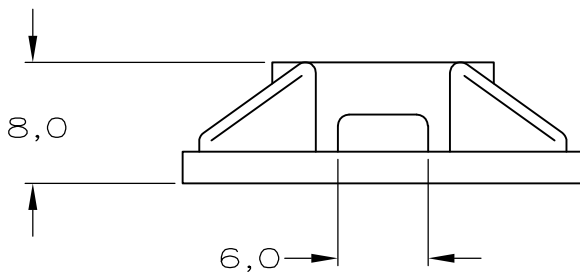
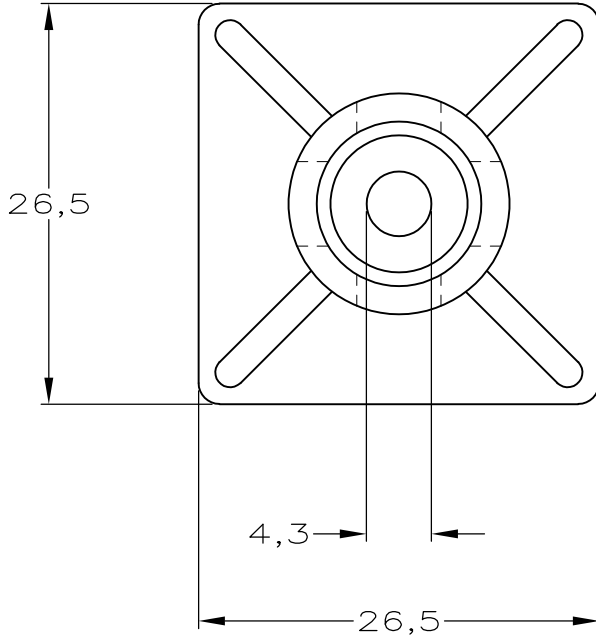
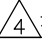


LOC	DIST	REVISIONS					
		P	LTR	DESCRIPTION	DATE	DWN	APVD
			0	H-9856	09-06-92	JvdH	RV
			01	ECR-10-026542	04JAN11	KK	HMR

NOTES:

- 1 MAX. CABLE TIE WIDTH 4,8.
- 2 TENSILE STRENGTH 415 kPa
- 3 APPL. TEMP. RANGE +10 - +38° C.
- 4  OBSOLETE




BLACK	POLYAMIDE 6/6	 2-100694-2	100
NATURAL	POLYAMIDE 6/6	2-100694-1	100
FINISH	MATERIAL	PARTNUMBER	QTY

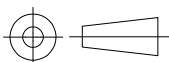
RELEASED FOR PUBLICATION

ALL RIGHTS RESERVED.

THIS DRAWING IS UNPUBLISHED.

COPYRIGHT - By -

DIMENSIONS: mm	DWN J.V.D.HEIJDEN.	09-06-92	MATERIAL	-	FINISH	-
	CHK R.VOS.	-	 TE Connectivity			
TOLERANCES UNLESS OTHERWISE SPECIFIED:	APVD L.V.SOEST.	-				
0 PLC ± -	PRODUCT SPEC	-	NAME MOUNTING BASE.			
1 PLC ± -	APPLICATION SPEC	-	SIZE	CAGE CODE	DRAWING NO	RESTRICTED TO
2 PLC ± -			A4	00779	C-100694	-
3 PLC ± -	WEIGHT	-	CUSTOMER DRAWING			
4 PLC ± -			SCALE	-	SHEET	1 OF 1
ANGLES ± -						REV 01



单击下面可查看定价，库存，交付和生命周期等信息

[>>TE Connectivity\(泰科\)](#)