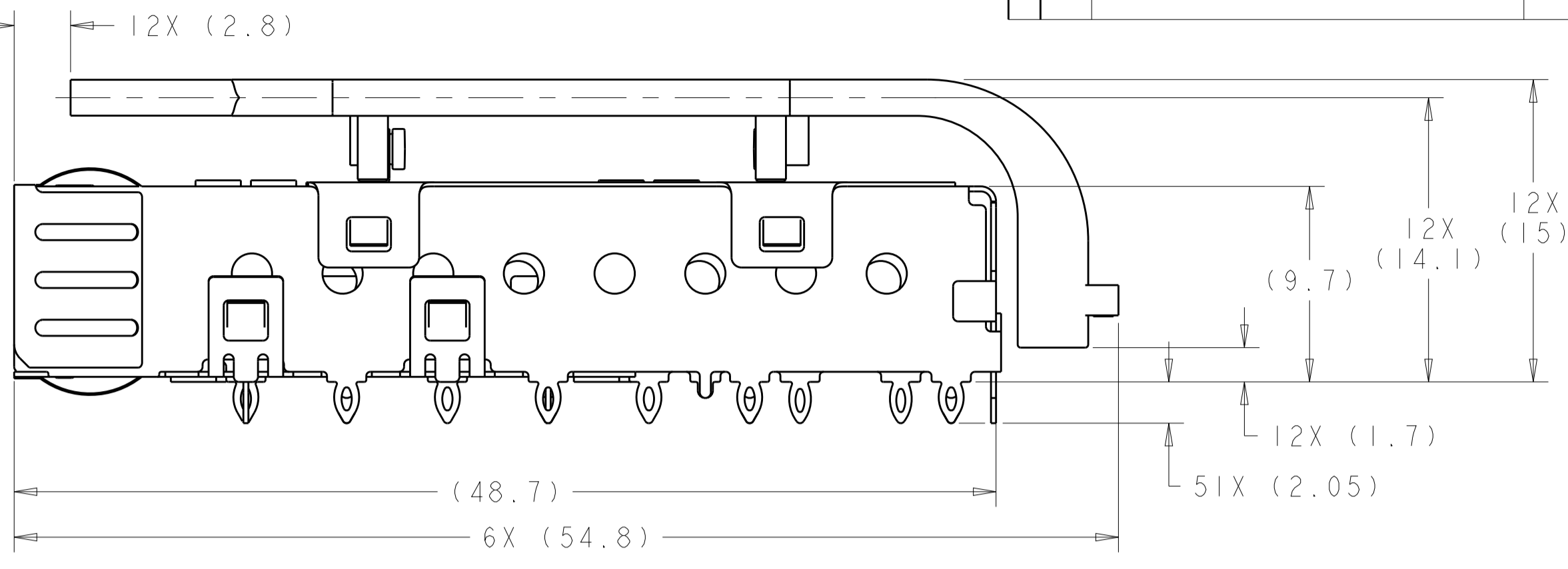
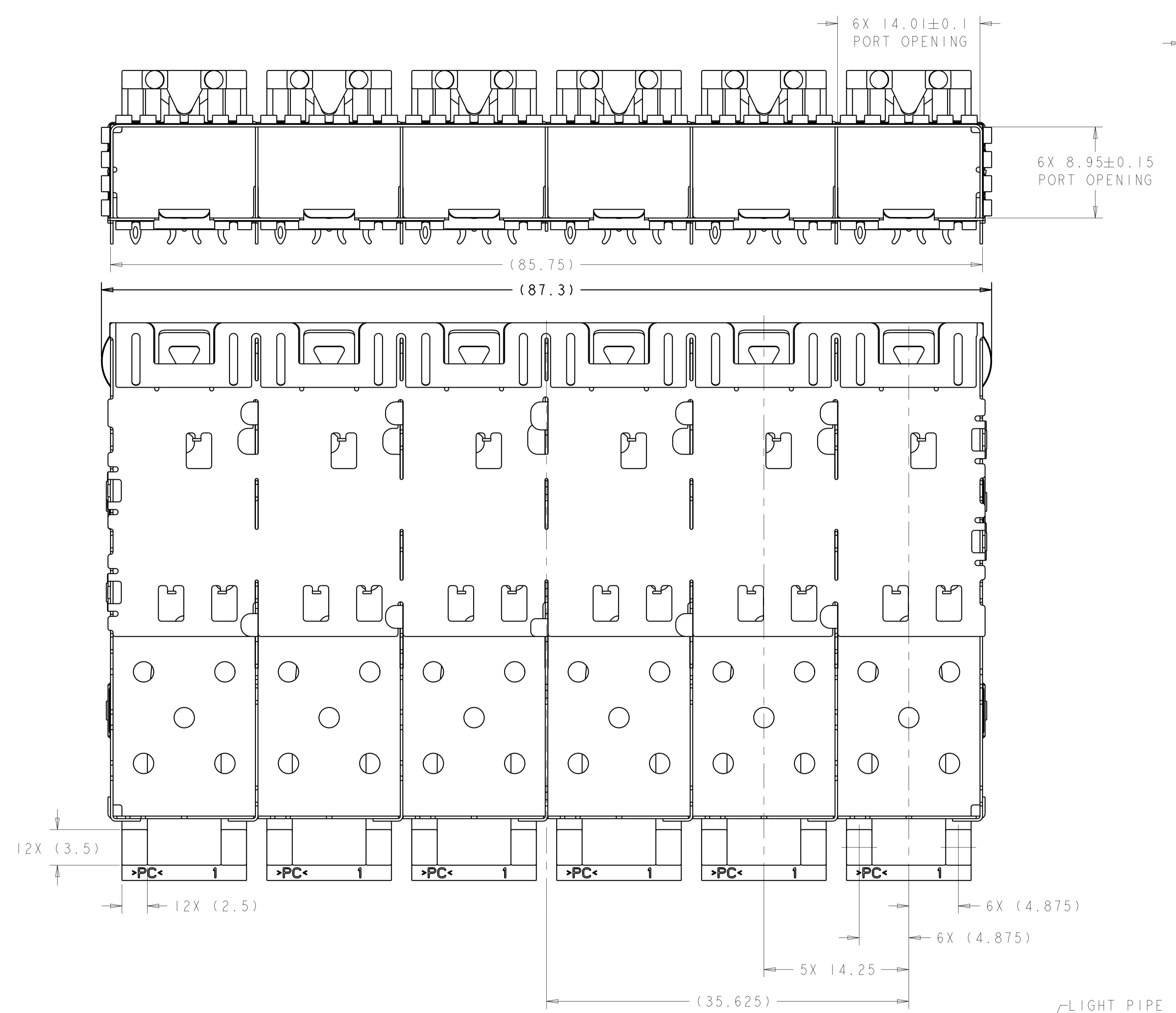
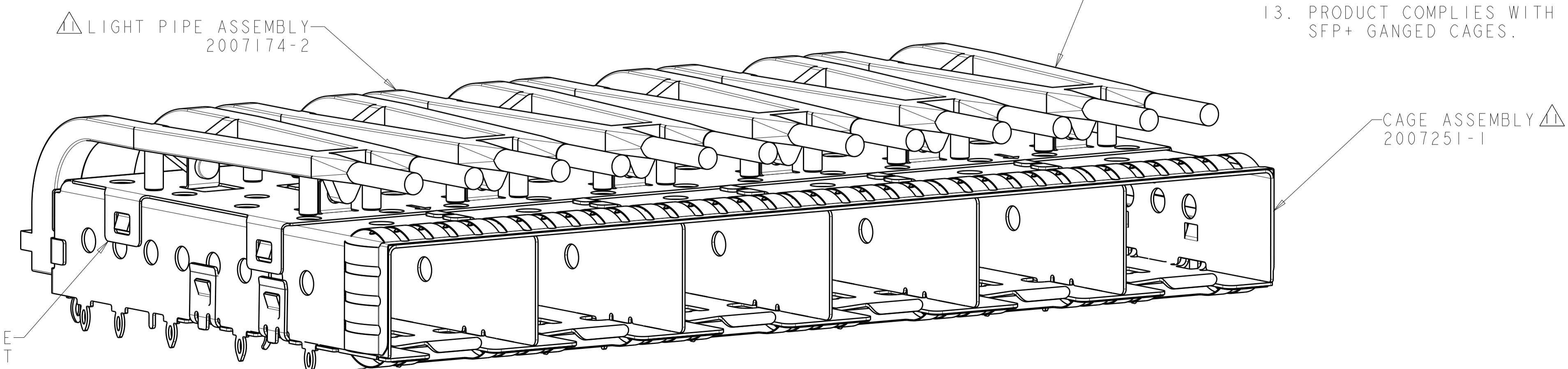


LOC	DIST	REVISIONS			
P	LTN	DESCRIPTION	DATE	DWN	APVD
GP	00	A	RELEASED	26FEB2016	JW SH



- 1. MATERIAL:  
CAGE ASSEMBLY: 0.25mm THICK NICKEL SILVER ALLOY.  
LIGHT PIPE CLIP: STAINLESS STEEL  
LIGHT PIPE: POLYCARBONATE, CLEAR
- 2. FINISH:  
SPRINGS: MINIMUM OF 0.8um TIN PLATE OVER A MINIMUM OF 0.8um NICKEL UNDERPLATE.  
NON-PLATED EDGES PERMISSIBLE.
- 3. MATES WITH SFP MSA COMPLIANT TRANSCEIVERS.
- 4. PADS AND VIAS CHASSIS GROUND.
- 5. INTERPRETATION OF DATUM REFERENCE FRAME IN ACCORDANCE WITH SECT 4.4.1.1 OF ASME Y14.5M-1994.
- 6. MINIMUM PCB BOARD THICKNESS:  
SINGLE SIDED = 1.50  
DOUBLE SIDED = 2.25
- 7. HOLE PATTERN REPEATS FOR EACH PORT. SPACING BETWEEN PORTS IS 14.25mm.
- 8. DATUM AND BASIC DIMENSION ESTABLISHED BY CUSTOMER.
- 9. REFERENCE APPLICATION SPEC. 114-13120, HOLE A, FOR RECOMMENDED DRILL HOLE DIAMETER AND PLATING THICKNESS.
- 10. REFERENCE APPLICATION SPEC. 114-13120, HOLE B, FOR RECOMMENDED DRILL HOLE DIAMETER AND PLATING THICKNESS.
- 11. LIGHT PIPE ASSEMBLY SHIPPED UNASSEMBLED TO CAGE ASSEMBLY. CAGE ASSEMBLY TO BE PRESSED INTO THE PCB PRIOR TO ATTACHING THE LIGHT PIPE ASSEMBLY TO THE CAGE.
- 12. CERTAIN MATING TRANSCEIVERS MAY REQUIRE ADDITIONAL PCB THICKNESS THAT WOULD NEED TO BE DETERMINED BY THE CUSTOMER.
- 13. PRODUCT COMPLIES WITH SPECIFICATION SFF-8433 IMPROVED PLUGGABLE FORM FACTOR FOR SFP+ GANGED CAGES.

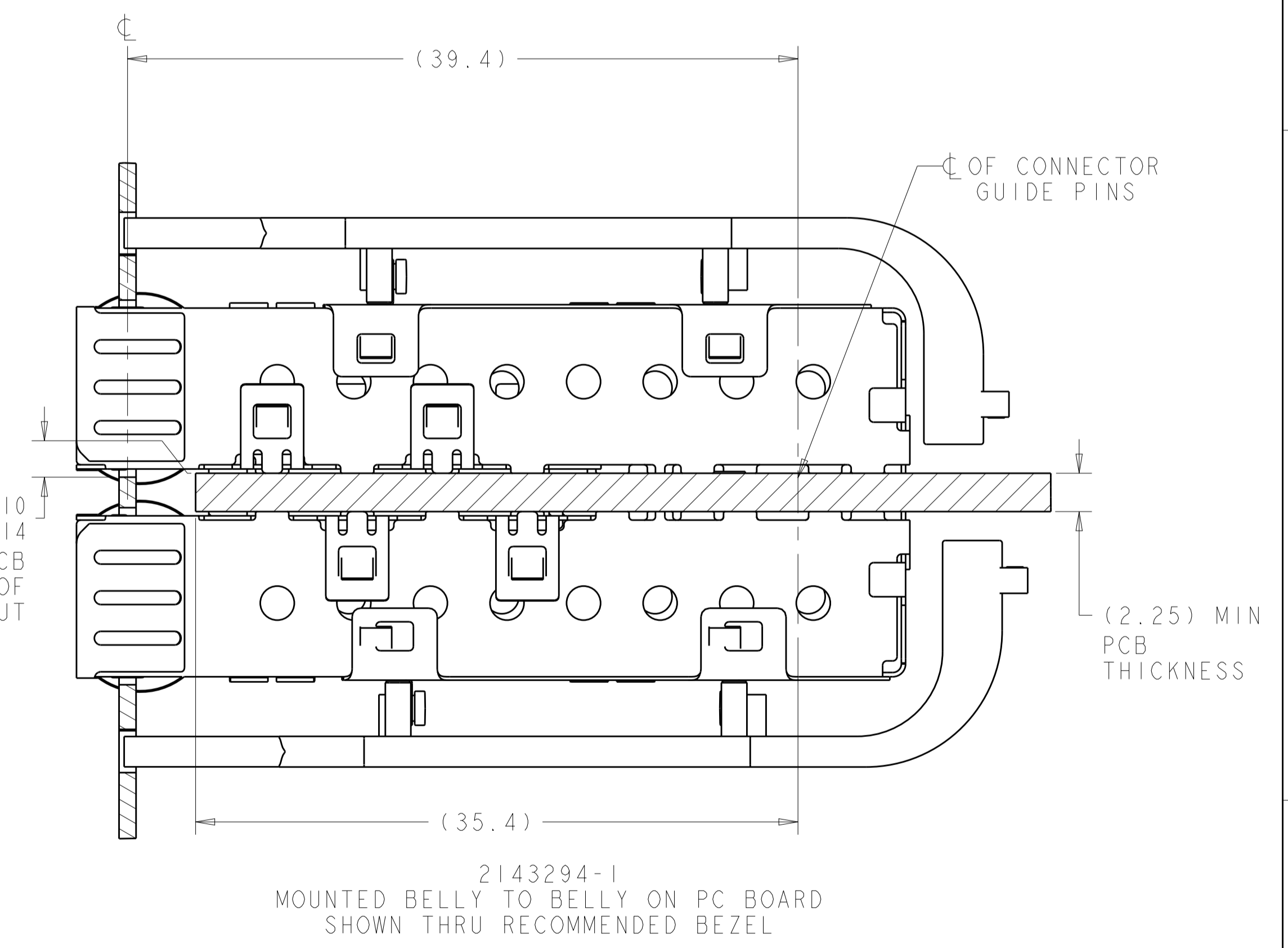
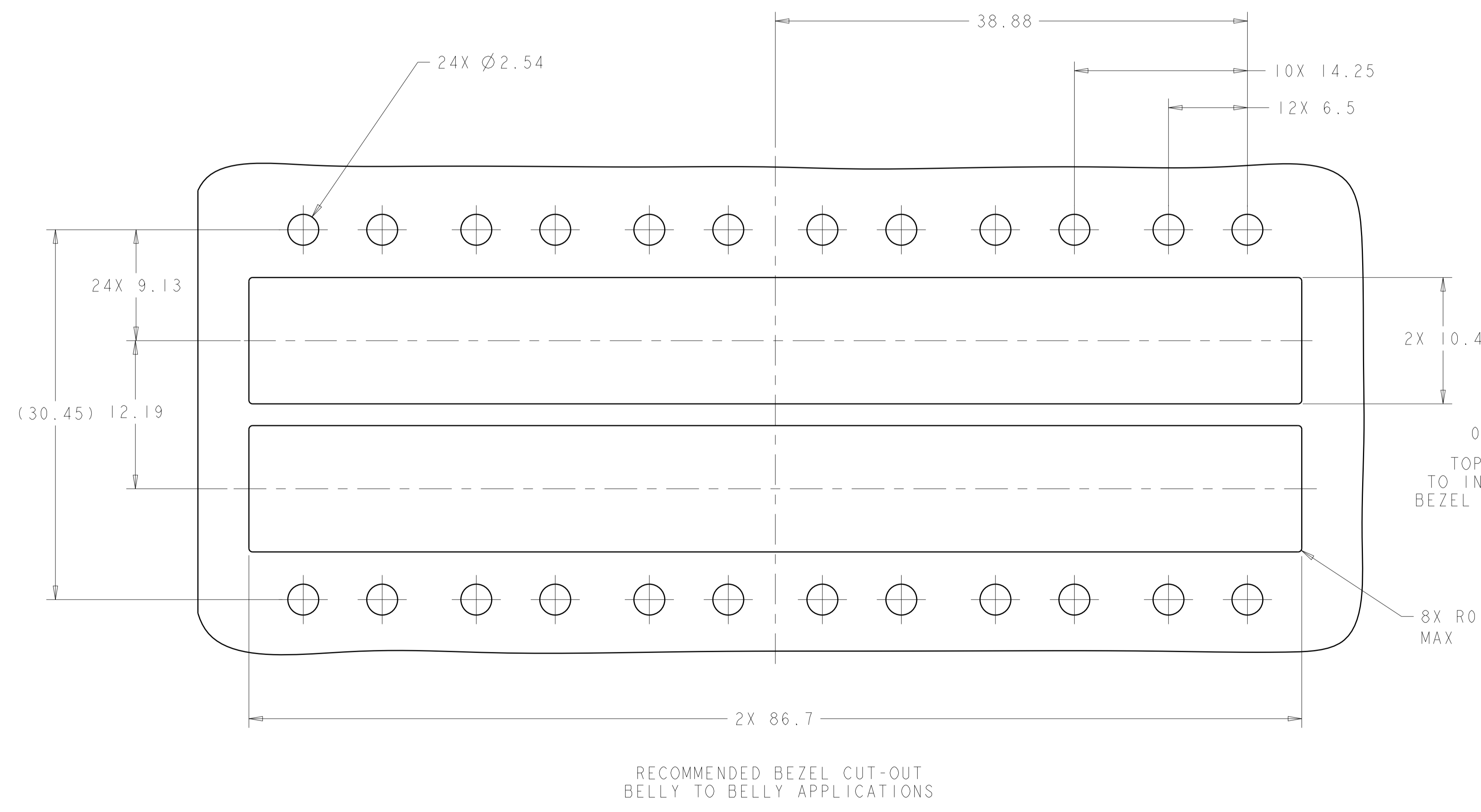
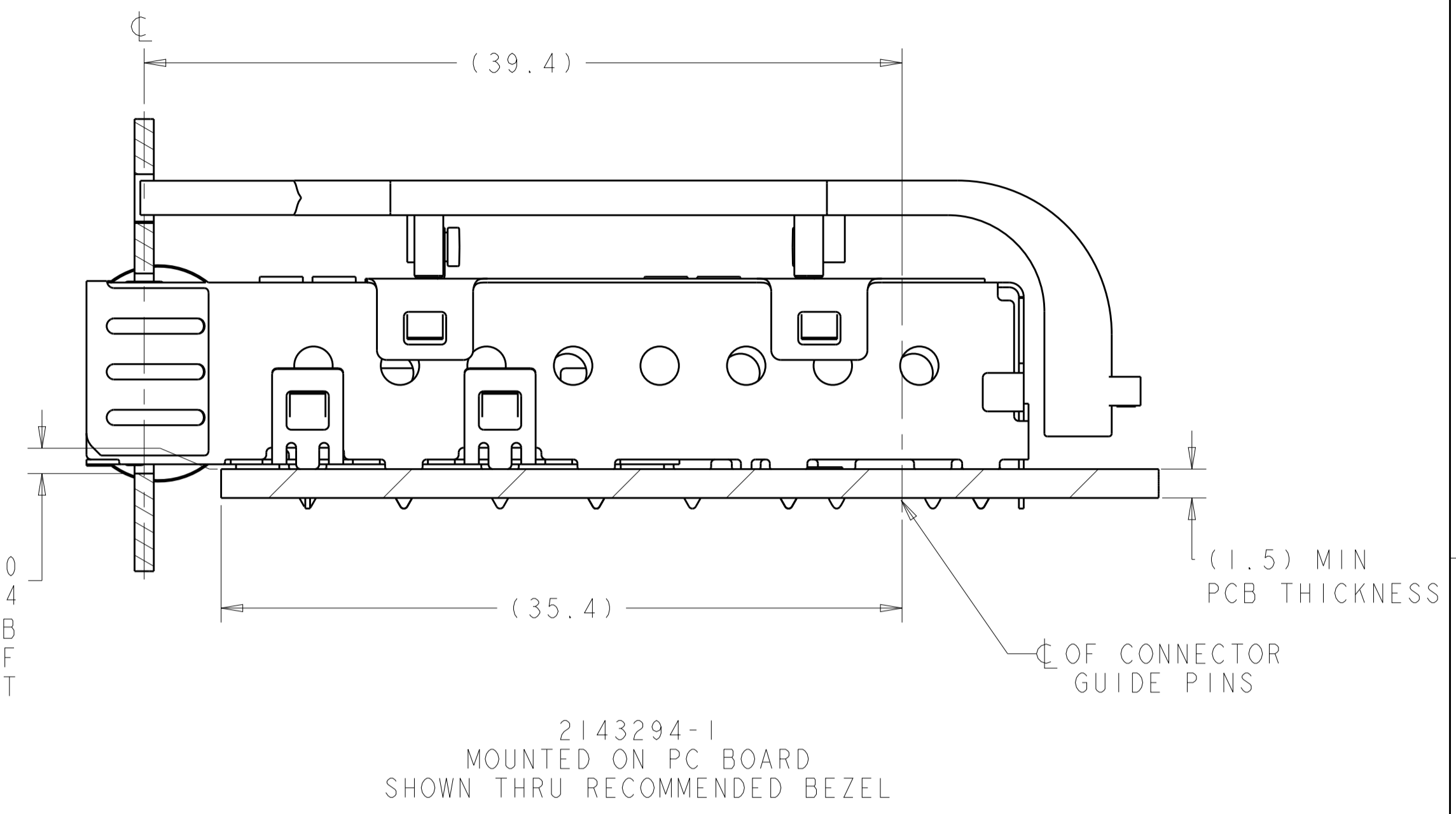
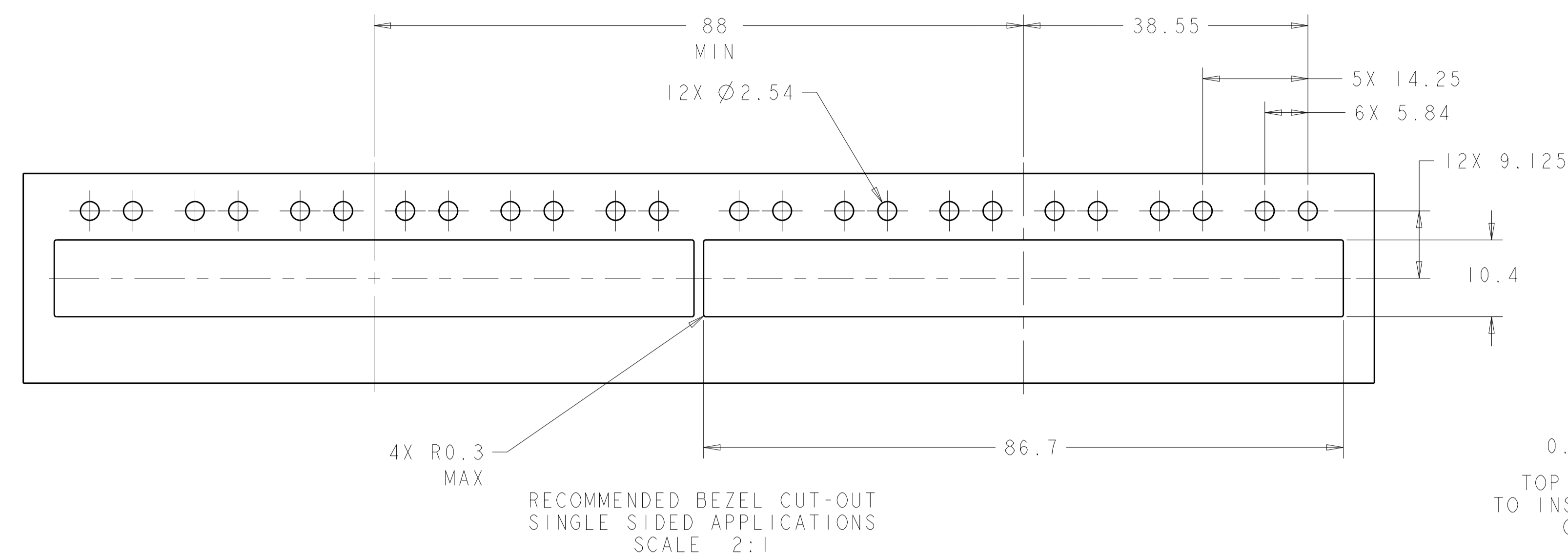


2143294-1  
FINISHED ASSEMBLY  
SCALE 4:1

2143294-1  
PART NUMBER

THIS DRAWING IS A CONTROLLED DOCUMENT.		DWN: C. ROHLER 24FEB2010	TE Connectivity
DIMENSIONS: mm		CHK: M. SCHMITT 24FEB2010	
TOLERANCES UNLESS OTHERWISE SPECIFIED:		APVD: B. WERTZ 24FEB2010	NAME: SFP+ 1X6 CAGE ASSEMBLY
0 PLC ±0.1		PRODUCT SPEC: 108-2364	PRESS FIT, EXTERNAL EMI SPRINGS
1 PLC ±0.1		APPLICATION SPEC: 114-13120	WITH REDUCED LENGTH LIGHT PIPES
2 PLC ±0.1		SIZE: CAGE CODE DRAWING NO: A100779	RESTRICTED TO: -
3 PLC ±0.1		WEIGHT: -	SCALE: 4:1
4 PLC ±0.1		CUSTOMER DRAWING	SHEET 1 OF 4
ANGLES ±1°			REV A

LOC		DIST		REVISIONS			
GP	00	P	LTN	DESCRIPTION	DATE	DMN	APVD
				SEE SHEET 1			



THIS DRAWING IS A CONTROLLED DOCUMENT.		DMN C. ROHLER 24FEB2010	TE Connectivity
DIMENSIONS:		CHK M. SCHMITT 24FEB2010	
mm	TOLERANCES UNLESS OTHERWISE SPECIFIED:	APVD B. WERTZ 24FEB2010	NAME SFP+ 1X6 CAGE ASSEMBLY PRESS FIT, EXTERNAL EMI SPRINGS WITH REDUCED LENGTH LIGHT PIPES
	0 PLC ±0.1 1 PLC ±0.1 2 PLC ±0.1 3 PLC ±0.1 4 PLC ±0.1 ANGLES ±1°	PRODUCT SPEC 108-2364 APPLICATION SPEC	SIZE 114-13120
MATERIAL	FINISH	WEIGHT	RESTRICTED TO A100779C=2143294
		CUSTOMER DRAWING	SCALE 4:1 SHEET 2 OF 4 REV A

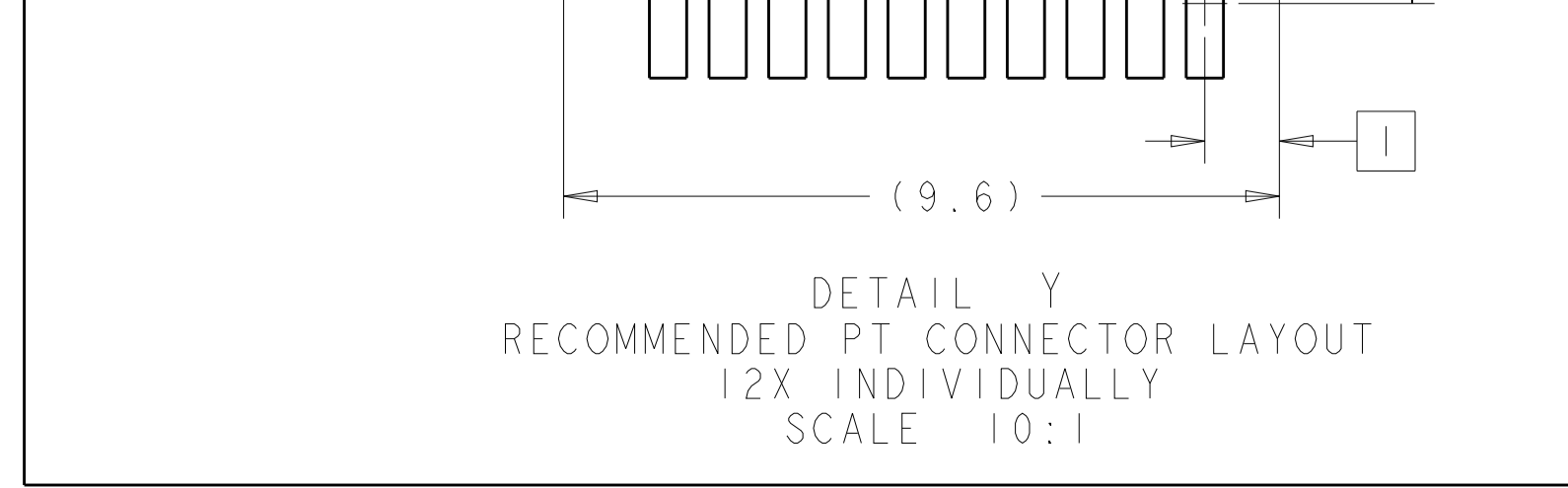
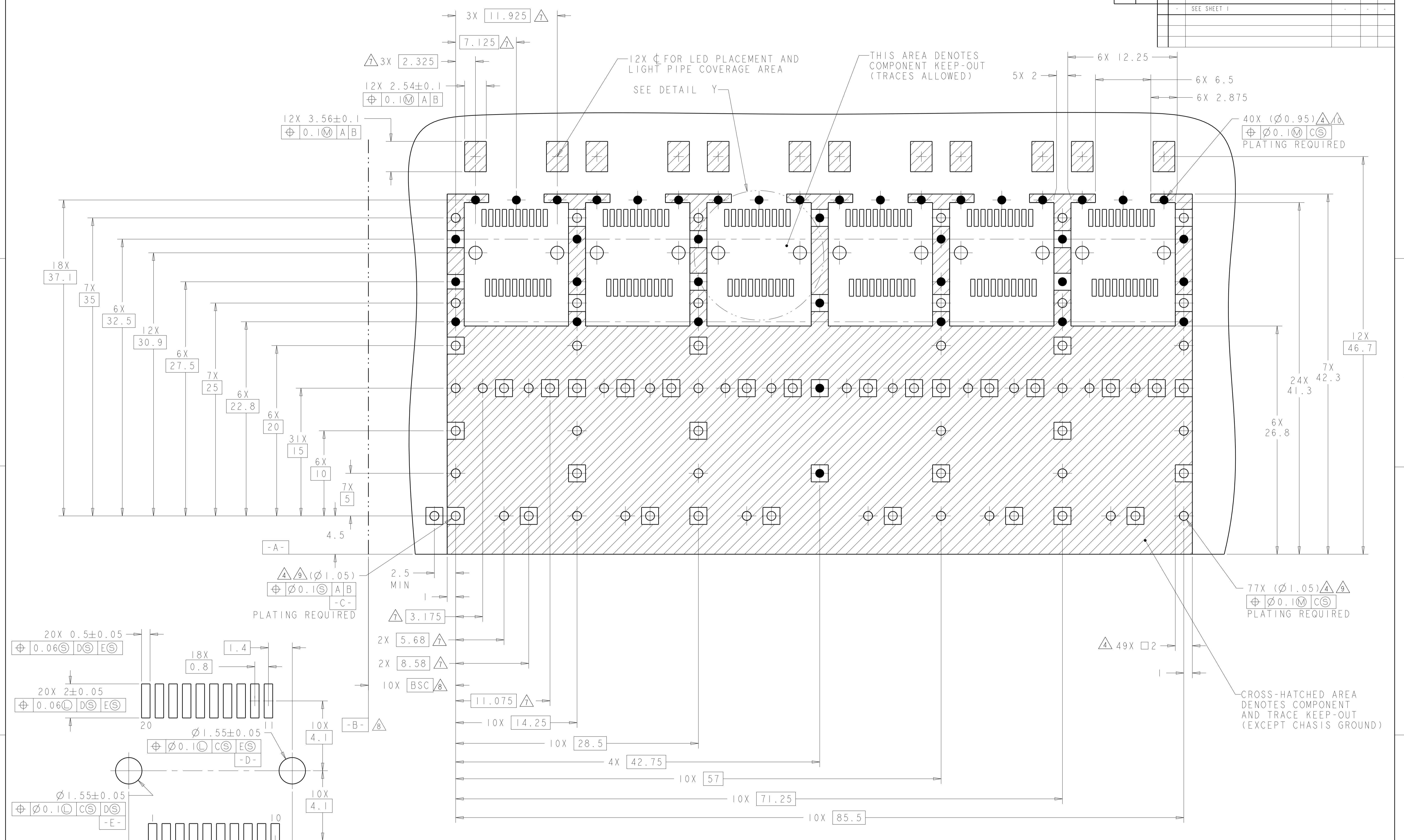




LOC	DIST	REV	DATE	BY	APPV
GP	00				

REVISIONS			
NO.	DESCRIPTION	DATE	BY
1	SEE SHEET 1		



RECOMMENDED PC BOARD CONFIGURATION  
WITH KEEP-OUT AREAS  
BELLY TO BELLY APPLICATIONS ⚠  
SCALE 5:1

THIS DRAWING IS A CONTROLLED DOCUMENT.		DWN C. ROHLER 24FEB2010	TE Connectivity
DIMENSIONS: mm		CHK M. SCHMITT 24FEB2010	
TOLERANCES UNLESS OTHERWISE SPECIFIED:		APPV B. WERTZ 24FEB2010	NAME SFP+ 1X6 CAGE ASSEMBLY
0 PLC ±0.1		PRODUCT SPEC	PRESS FIT, EXTERNAL EMI SPRINGS
1 PLC ±0.1		108-2364	WITH REDUCED LENGTH LIGHT PIPES
2 PLC ±0.1		APPLICATION SPEC	SIZE CAGE CODE DRAWING NO. RESTRICTED TO
3 PLC ±0.1		114-13120	A100779C=2143294
4 PLC ±0.1		WEIGHT	SCALE 4:1 SHEET 4 OF 4 REV A
ANGLES ±1°		CUSTOMER DRAWING	

单击下面可查看定价，库存，交付和生命周期等信息

[>>TE Connectivity\(泰科\)](#)