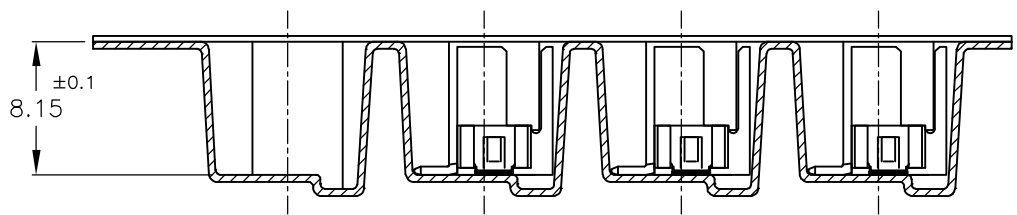
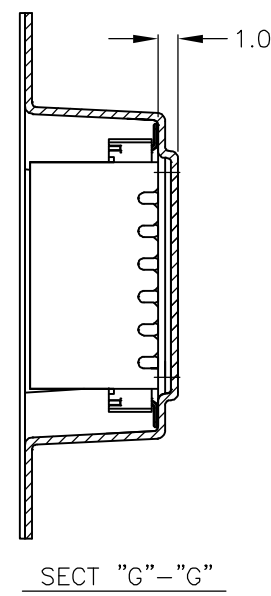
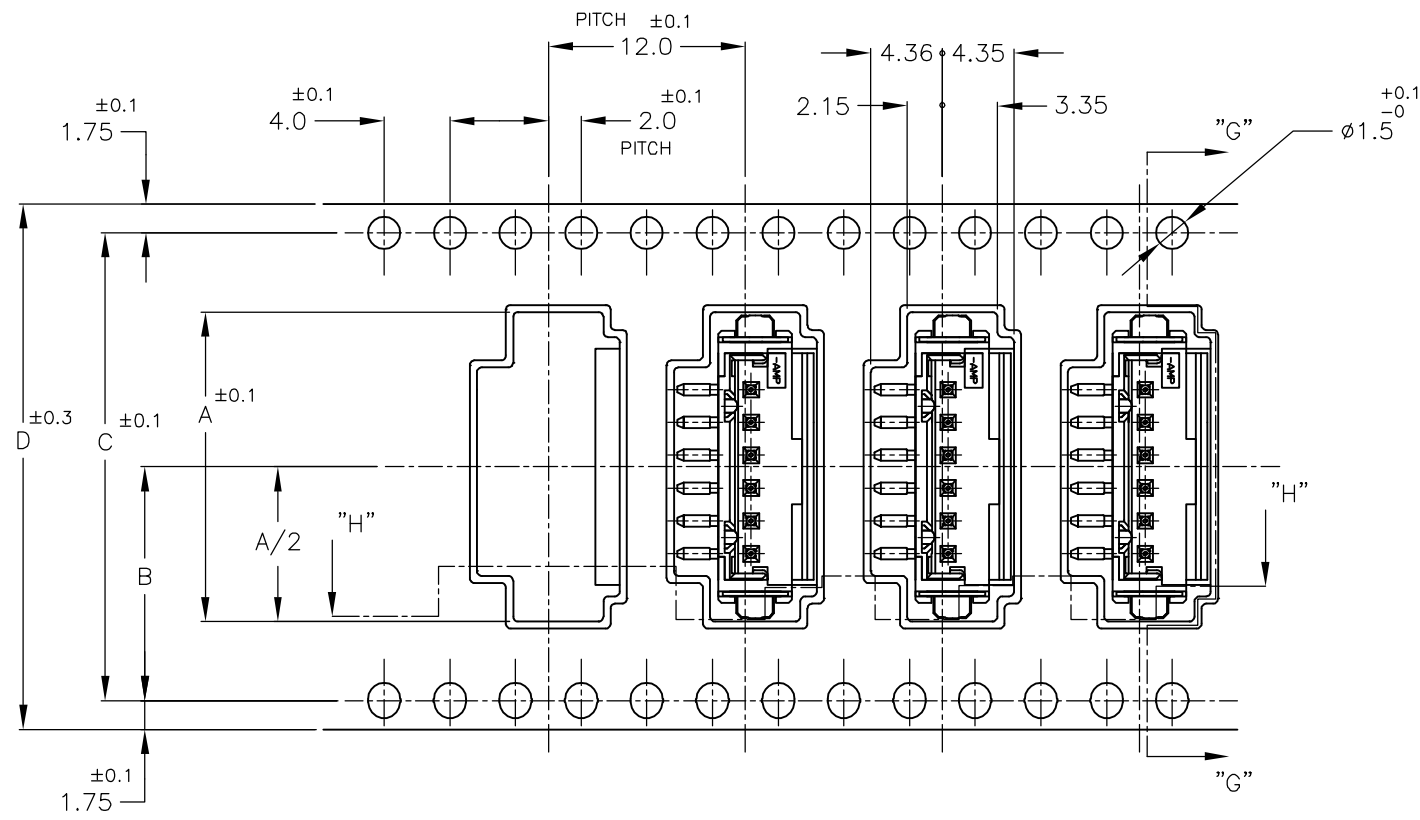
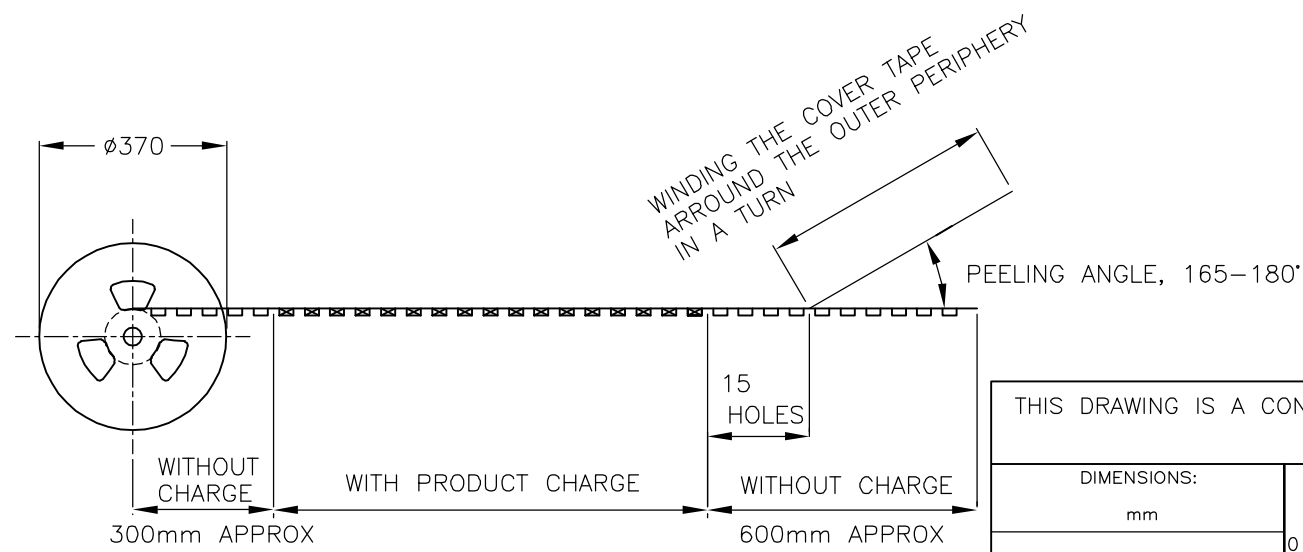


THIS DRAWING IS UNPUBLISHED. RELEASED FOR PUBLICATION  
 © COPYRIGHT BY TYCO ELECTRONICS CORPORATION. ALL RIGHTS RESERVED.

LOC		DIST		REVISIONS					
FB		00		P	LTR	DESCRIPTION	DATE	DWN	APVD
				A		REVISED ECR-05-001799	19SEP05	C.W	S.Y



TOP OF REEL



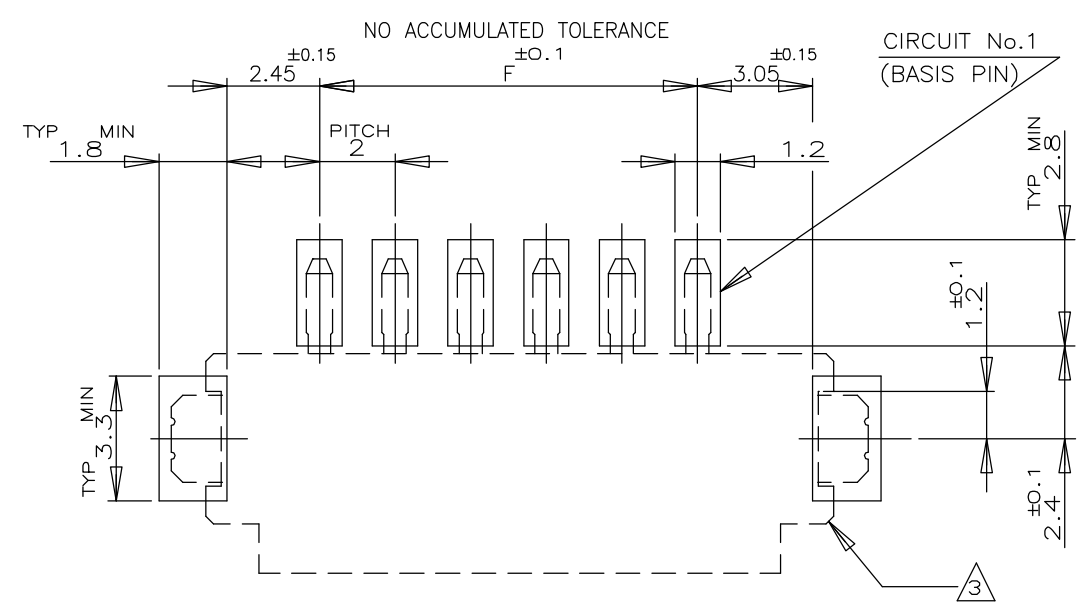
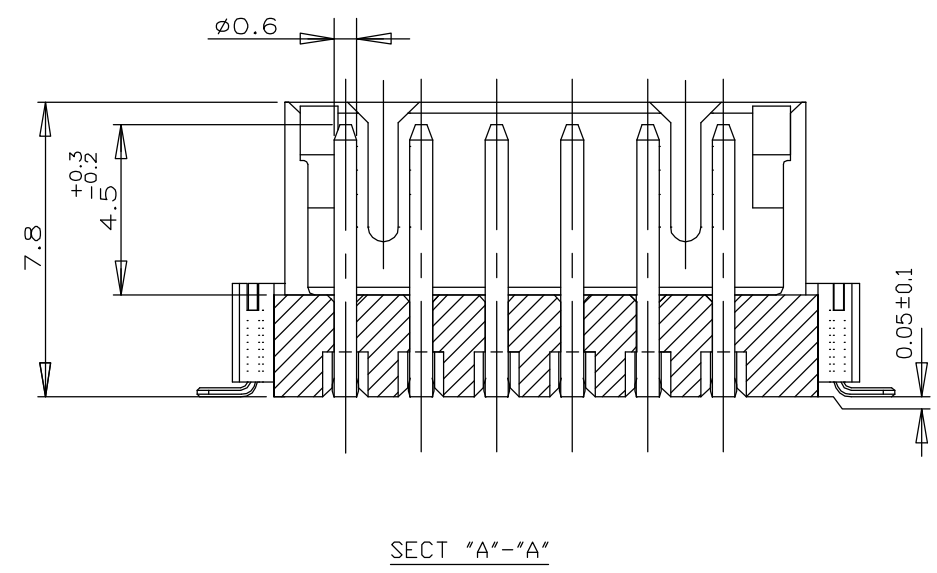
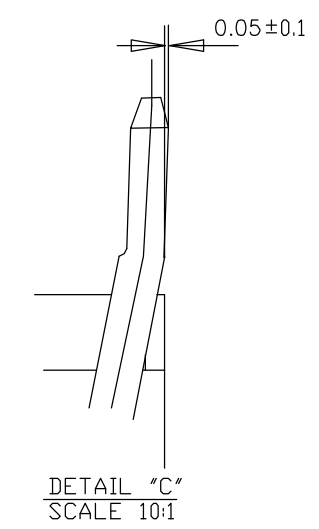
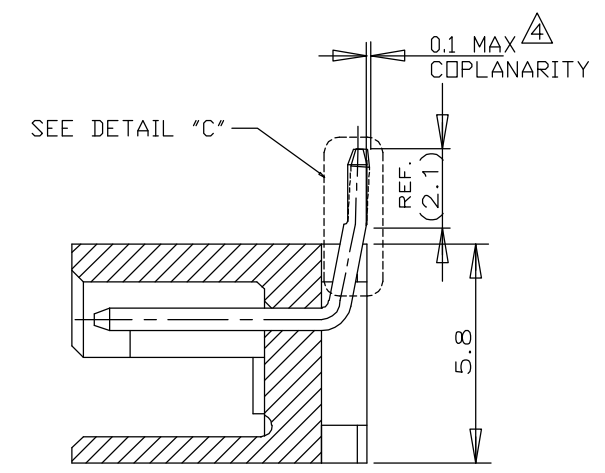
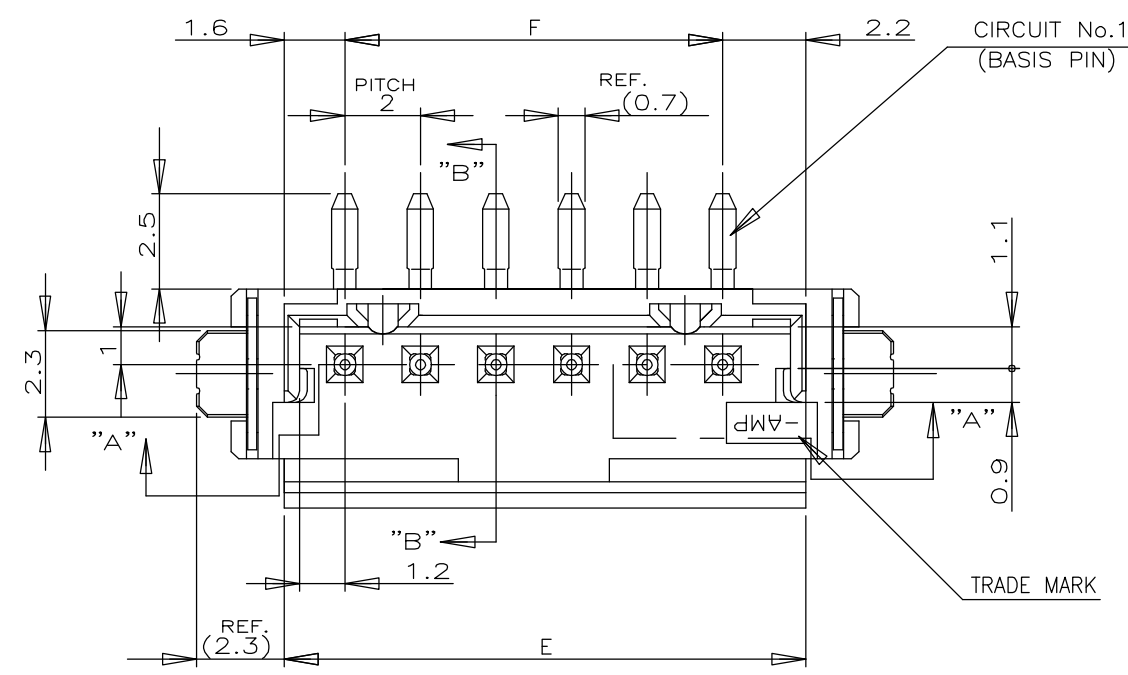
NOTES:  
 1. PEELING RESISTANCE : 0.196N(20gf)~0.686N(70gf)  
 SPEED: 300mm/min

NATURAL									
WITH	32.0	28.4	14.2	18.9	700	6			292176-6
WITH	32.0	28.4	14.2	14.9	700	4			292176-4
COLOR PLATE	D	C	B	A	QTY/REEL	POS	TAPING	P/N	

THIS DRAWING IS A CONTROLLED DOCUMENT.		DWN	J.JIANG	23JAN03	 Tyco Electronics Corporation Shanghai, P.R.China, 200233
DIMENSIONS: mm		CHK	S.YAO	23JAN03	
TOLERANCES UNLESS OTHERWISE SPECIFIED:		APVD	T.SASAKI	23JAN03	
0 PLC ± - 1 PLC ± - 2 PLC ± - 3 PLC ± - 4 PLC ± - ANGLES ± -		PRODUCT SPEC	108-60016		
MATERIAL		FINISH		WEIGHT	NAME ON TAPING (EMBOSS) AMP CT CONNECTOR POST HEADER ASS'Y (BOX-V SMT TYPE W/O BOSS & W/TAI
		CUSTOMER DRAWING		SCALE	2:1
				SHEET	1 OF 2
				REV	A

THIS DRAWING IS UNPUBLISHED. RELEASED FOR PUBLICATION  
 © COPYRIGHT - BY TYCO ELECTRONICS CORPORATION. ALL RIGHTS RESERVED.

LOC	DIST	REVISIONS					
FB	00	P	LTR	DESCRIPTION	DATE	DWN	APVD
		-		SEE SHEET 1	-	-	-



- NOTES;
- MATERIAL:HSG-6T PA(G.F.30%)(UL94V-0)  
 COLOR:NATURAL,BLACK  
 POST:TIN BRASS  
 TAIL: TIN BRASS
  - △ OCCUPANT AREA ON PC BOARD  
 △ TO BE MEASURED WITH CONNECTOR PLACED ON HORIZONTAL DATUM SURFACE,FLOAT OF SOLDER TINE AND TAIL FROM DATUM SURFACE IS 0.1mm MAX

RECOMENED P.C.BOARD LAYOUT  
 (P.C.B THK:0.8mm MIN)

10.0	13.8	6	292176-6
6.0	9.8	4	292176-4
F	E	POS.	NATURAL P/N

TOLERANCES UNLESS OTHERWISE SPECIFIED:

10>>*	: ±0.2
30>>10	: ±0.25
100>>30	: ±0.3
ANGEL	: ±3°

THIS DRAWING IS A CONTROLLED DOCUMENT.		DWN	-	Tyco Electronics Corporation Shanghai, P.R.China, 200233	
DIMENSIONS: mm		CHK	-	NAME	
TOLERANCES UNLESS OTHERWISE SPECIFIED:		APVD	-	ON TAPING (EMBOSS) AMP CT CONNECTOR POST HEADER ASS'Y (BOX-V SMT TYPE W/O BOSS & W/TAI	
0 PLC ± -		PRODUCT SPEC	-	SIZE	CAGE CODE
1 PLC ± -		APPLICATION SPEC	-	DRAWING NO	RESTRICTED TO
2 PLC ± -		WEIGHT	-	A3	00779
3 PLC ± -		CUSTOMER DRAWING	-	C-292176	
4 PLC ± -		SCALE	2:1	SHEET	2 OF 2
ANGLES ± -		REV	A		
FINISH ± -					

单击下面可查看定价，库存，交付和生命周期等信息

[>>TE Connectivity\(泰科\)](#)