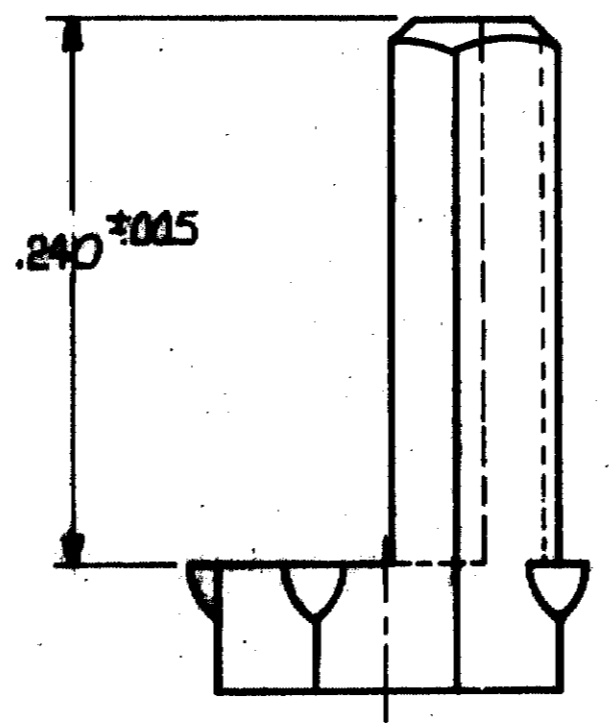
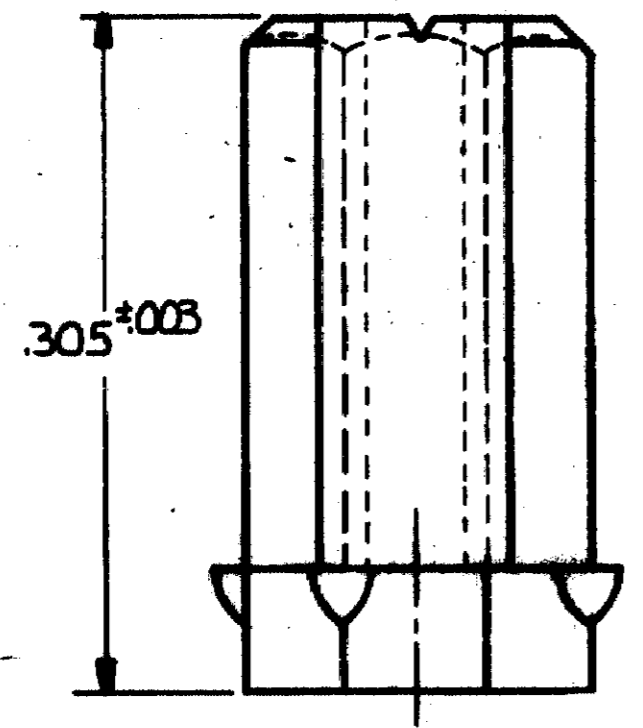
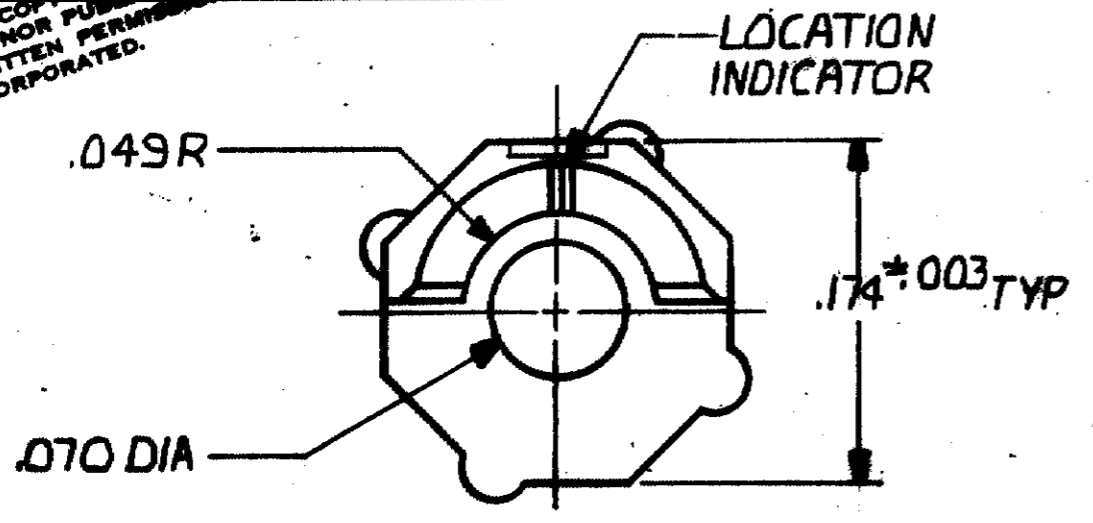


© COPYRIGHT 1977 BY AMP INCORPORATED, HARRISBURG, PA.  
 ALL INTERNATIONAL RIGHTS RESERVED. AMP INCORPORATED PRODUCTS  
 COVERED BY U. S. AND FOREIGN PATENTS AND/OR PATENTS PENDING.

530938-1 I.A.S SHOWN

REVISIONS						
P	F	ZONE	LTR	DESCRIPTION	DATE	APPROVED
				01. REVISED	5.5.78	m.s. P.O.

UNPUBLISHED COPY NOT TO BE REPRODUCED NOR PUBLISHED WITHOUT WRITTEN PERMISSION OF AMP INCORPORATED.



UNLESS OTHERWISE SPECIFIED DIMENSIONS ARE IN INCHES. TOLERANCES ON: DECIMALS ± .005 ANGLES ± .005		CONTRACT NO		PART NO	
MATERIAL GLASS FILLED POLYESTER COLOR: BLACK		DRG Valent Usher 9-15-77		AMP INCORPORATED Harrisburg, Pa.	
FINISH		CHK		NAME EXTERNAL KEY FOR BOX CONNECTOR	
		APPD R. Williams 9-19-77		SIZE B	
		APPD R. Showman 9-19-77		CODE IDENT NO 00779	
		DSGN APPD		DRAWING NO 530938	
		OTHER APPD		SCALE 10-1	
				SHEET 1 OF 1	

单击下面可查看定价，库存，交付和生命周期等信息

[>>TE Connectivity\(泰科\)](#)