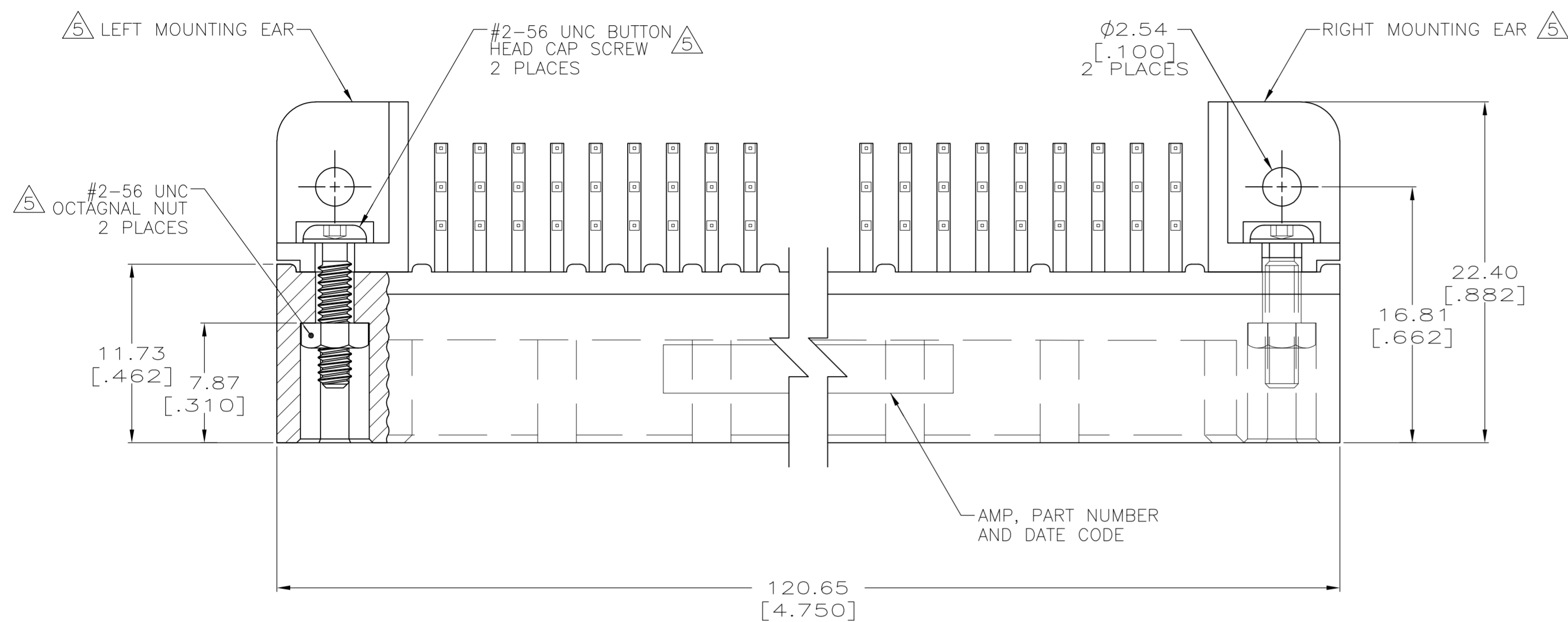
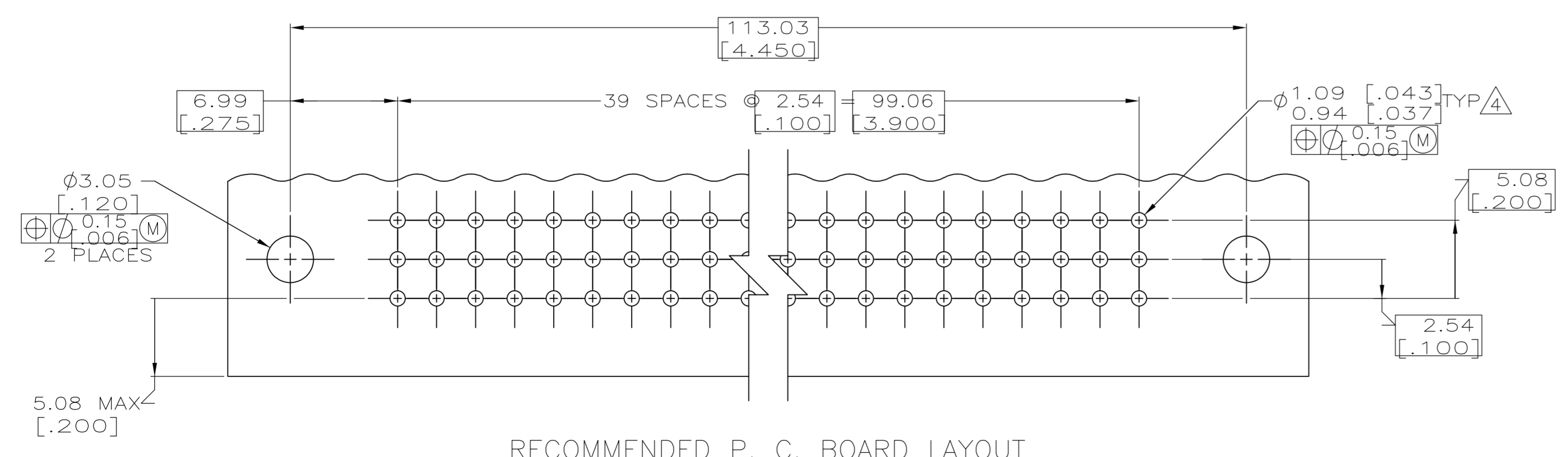
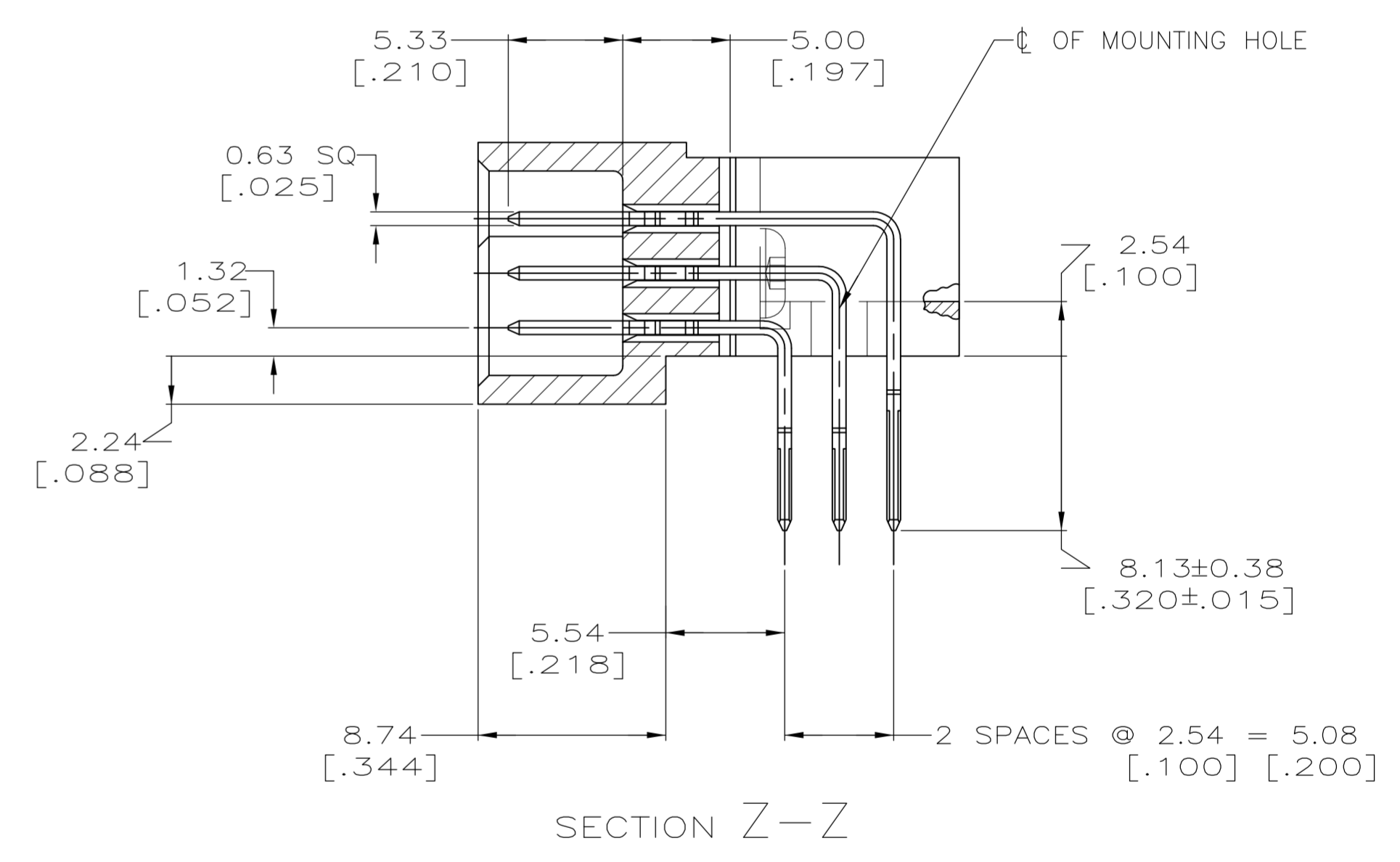
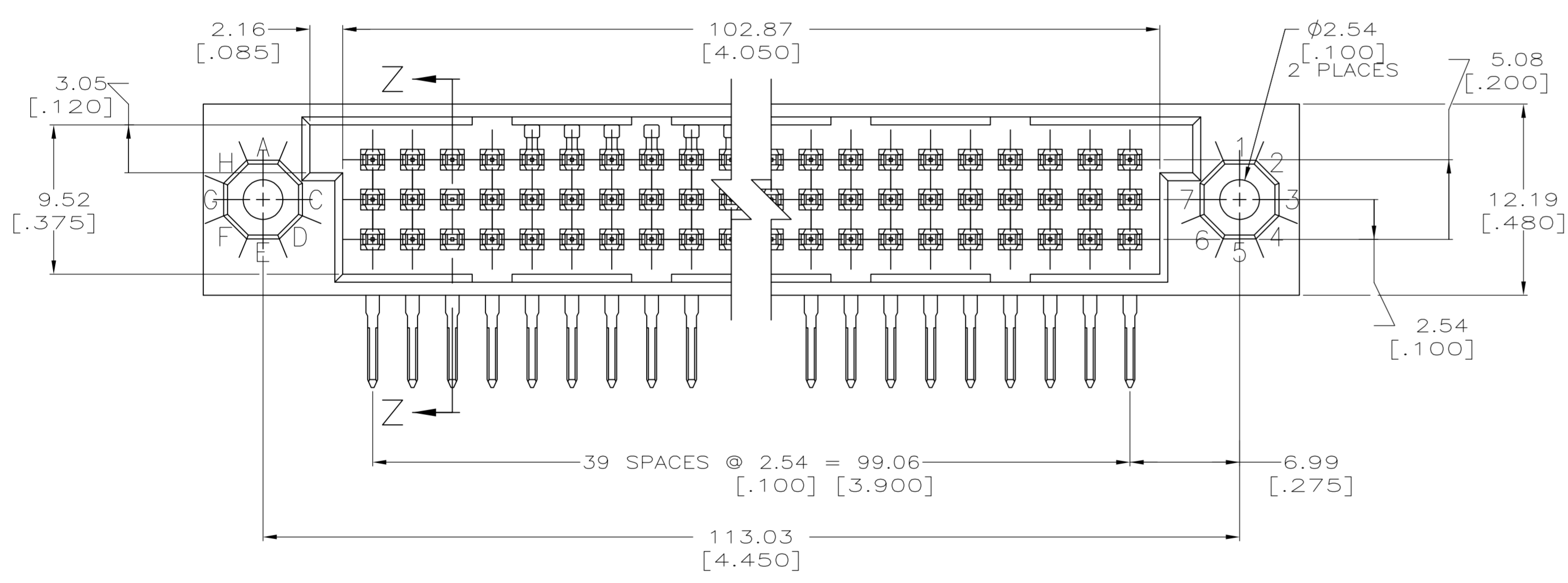


REVISIONS				
P	LTR	DESCRIPTION	DATE	BY
C		REVISED PER ECO-15-015252	13NOV15	BJ FY



- △ HOUSING MATERIAL: THERMOPLASTIC, BLACK.
- △ CONTACT MATERIAL: PHOSPHOR BRONZE.
- △ FINISH:  
 MATING AREA: MEETS THE PERFORMANCE REQUIREMENTS OF PRODUCT SPECIFICATION 108-9063; BASED ON TELCORDIA DR-1217-CORE APPLICATIONS IN UNCONTROLLED ENVIRONMENTS.  
 SOLDER TAILS AREA: TIN-LEAD PLATED.
- △ RIGHT ANGLE PIN RECOMMENDED P.C. BOARD HOLE SIZES ARE 0.94-1.09 [.037-.043]; RECOMMENDED PAD DIA IS 1.52 [.060].
- △ MOUNTING EARS AND HARDWARE PURCHASED SEPARATELY, KIT PART NUMBER 533050-1.



RECOMMENDED P. C. BOARD LAYOUT

THIS DRAWING IS A CONTROLLED DOCUMENT.		DWG T. SHUEY 5-17-94	TE Connectivity														
DIMENSIONS: INCHES		CHK G. SKIPPER 5-19-94															
<table border="1"> <tr> <th>TOLERANCES UNLESS OTHERWISE SPECIFIED:</th> <th></th> </tr> <tr> <td>0 PLC</td> <td>± -</td> </tr> <tr> <td>1 PLC</td> <td>± -</td> </tr> <tr> <td>2 PLC</td> <td>± -</td> </tr> <tr> <td>3 PLC</td> <td>± 0.13 [.005]</td> </tr> <tr> <td>4 PLC</td> <td>± -</td> </tr> <tr> <td>ANGLES</td> <td>± -</td> </tr> </table>		TOLERANCES UNLESS OTHERWISE SPECIFIED:		0 PLC	± -	1 PLC	± -	2 PLC	± -	3 PLC	± 0.13 [.005]	4 PLC	± -	ANGLES	± -	APVD -	NAME PIN HEADER ASSEMBLY, HDI, 3 ROW, RIGHT ANGLE, 120 POSITION
TOLERANCES UNLESS OTHERWISE SPECIFIED:																	
0 PLC	± -																
1 PLC	± -																
2 PLC	± -																
3 PLC	± 0.13 [.005]																
4 PLC	± -																
ANGLES	± -																
MATERIAL		SIZE A1	RESTRICTED TO														
FINISH		WEIGHT -	CAGE CODE 650833														
CUSTOMER DRAWING		SCALE 4:1	SHEET 1 OF 1														

单击下面可查看定价，库存，交付和生命周期等信息

[>>TE Connectivity\(泰科\)](#)